



X940e, X945e

User's Guide

April 2007

www.lexmark.com

Lexmark and Lexmark with diamond design are trademarks of Lexmark International, Inc., registered in the United States and/or other countries. All other trademarks are the property of their respective owners.

© 2007 Lexmark International, Inc.

All rights reserved.

740 West New Circle Road
Lexington, Kentucky 40550

Contents

- Safety information.....15**
- Learning about the printer.....17**
 - Printer configurations.....17
 - Basic functions of the scanner.....17
 - Understanding the ADF and scanner glass.....18
 - Understanding the control panel.....19
 - Understanding the home screen.....20
 - Using the touch-screen buttons.....22
- Installing options.....27**
 - Installing internal options.....27
 - Available options27
 - Accessing the system board to install internal options27
 - Installing a memory card28
 - Installing a flash memory or firmware card.....29
 - Installing an internal print server or port interface card30
 - Reinstalling the system board31
 - Attaching cables.....32
- Loading paper and specialty media.....34**
 - Setting the Paper Size and Paper Type.....34
 - Loading the 520-sheet trays.....34
 - Loading the 520-sheet trays.....34
 - Using A5 or statement paper sizes.....36
 - Loading the 867- and 1133-sheet trays.....37
 - Using the multipurpose feeder.....38
 - Configuring Universal paper settings.....41
 - Linking and unlinking trays.....41
 - Linking trays41
 - Unlinking trays.....41
 - Changing a Custom Type <x> name.....42
 - Assigning a custom paper type name42
- Paper and specialty media guide.....43**
 - Paper guidelines.....43
 - Paper characteristics.....43
 - Unacceptable paper44
 - Selecting paper.....44

Selecting preprinted forms and letterhead.....	44
Using recycled paper.....	44
Using letterhead.....	45
Using transparencies.....	46
Using envelopes.....	47
Using labels.....	47
Using card stock.....	48
Storing paper.....	48
Supported paper sizes, types, and weights.....	48
Paper sizes supported by the printer.....	49
Paper types and weights supported by the printer	50
Paper types and weights supported by the finisher.....	50
Supported finishing features.....	51
Copying.....	55
Making copies.....	55
Making a quick copy	55
Copying using the ADF.....	55
Copying using the scanner glass (flatbed)	56
Copying photos.....	56
Copying on specialty media.....	56
Making transparencies	56
Copying to letterhead	56
Customizing copy settings.....	57
Copying from one size to another.....	57
Making copies using paper from a selected tray	57
Copying a document that contains mixed paper sizes	58
Copying on both sides of the paper (duplexing).....	58
Reducing or enlarging copies.....	59
Adjusting copy quality.....	59
Collating copies	60
Placing separator sheets between copies.....	60

Copying multiple pages onto a single sheet.....	60
Creating a custom job (job build).....	61
Job interrupt.....	62
Placing information on copies.....	62
Placing the date and time at the top of each page	62
Placing an overlay message on each page.....	63
Canceling a copy job.....	63
Canceling a copy job while the document is in the ADF.....	63
Canceling a copy job while copying pages using the scanner glass	63
Canceling a copy job while the pages are being printed	63
Understanding the copy screens and options.....	63
Copy from	63
Copy to	64
Scale.....	64
Darkness	64
Color	64
Photo	64
Sides (Duplex)	64
Collate	64
Options	64
Improving copy quality.....	66

E-mailing.....67

Getting ready to e-mail.....	67
Setting up the e-mail function	67
Setting up the address book.....	67
Creating an e-mail shortcut.....	68
Creating an e-mail shortcut using the Embedded Web Server	68
Creating an e-mail shortcut using the touch screen	68
E-mailing a document.....	68
Sending an e-mail using the keypad	68
Sending an e-mail using a shortcut number	69
Sending an e-mail using the address book	69
E-mailing color documents.....	69
Using profiles.....	70
Creating an e-mail profile	70
E-mailing to a profile.....	70
Customizing e-mail settings.....	70
Adding e-mail subject and message information.....	70
Changing the output file type.....	71
Canceling an e-mail.....	71
Understanding e-mail options.....	71
Original Size	71
Sides (Duplex).....	71

Orientation	72
Binding.....	72
E-mail Subject	72
E-mail Message.....	72
Resolution.....	72
Send As.....	72
Content.....	72
Advanced Options	72

Faxing.....74

Getting the printer ready to fax.....	74
Choosing a fax connection	74
Using an RJ11 adapter.....	75
Connecting directly to a telephone wall jack in Germany	78
Connecting to a telephone.....	79
Connecting to an answering machine	80
Connecting to a computer with a modem.....	81
Setting the outgoing fax name and number.....	83
Setting the date and time.....	83
Turning daylight saving time on or off.....	83
Sending a fax.....	84
Sending a fax using the control panel	84
Sending a fax using the computer	84
Creating shortcuts.....	84
Creating a fax destination shortcut using the Embedded Web Server	84
Creating a fax destination shortcut using the touch screen.....	85
Using shortcuts and the address book.....	85
Using fax destination shortcuts.....	85
Using the address book.....	86
Customizing fax settings.....	86
Changing the fax resolution.....	86
Making a fax lighter or darker.....	86
Sending a fax at a scheduled time	87
Viewing a fax log	87
Canceling an outgoing fax.....	87
Canceling a fax while the original documents are still scanning.....	87
Canceling a fax after the original documents have been scanned to memory.....	88
Understanding fax options.....	88
Original Size	88
Content.....	88
Sides (Duplex).....	88
Resolution.....	88

Darkness	88
Advanced Options	89
Improving fax quality.....	89
Holding and forwarding faxes.....	89
Holding faxes.....	89
Forwarding a fax.....	90
Scanning to an FTP address.....	91
Scanning to an FTP address.....	91
Scanning to an FTP address using the keypad.....	91
Scanning to an FTP address using a shortcut number	92
Scanning to an FTP address using the address book.....	92
Creating shortcuts.....	92
Creating an FTP destination shortcut using the Embedded Web Server	92
Creating an FTP destination shortcut using the touch screen.....	93
Understanding FTP options.....	93
Original Size	93
Sides (Duplex).....	93
Binding.....	93
Resolution.....	93
Send As.....	93
Content.....	93
Advanced Options	94
Improving FTP quality.....	94
Scanning to a computer or USB flash memory device.....	95
Scanning to a computer.....	95
Scanning to a USB flash memory device.....	96
Understanding scan to computer options.....	96
Quick Setup	96
Format Type	96
Compression	97
Default Content.....	97
Color	97
Original Size	97
Orientation	97
Sides (Duplex).....	97
Darkness	97
Resolution.....	97
Advanced Imaging.....	97
Improving scan quality.....	98

Printing.....	99
Installing printer software.....	99
Printing a document.....	99
Printing a document from Windows.....	99
Printing a document from a Macintosh computer.....	99
Printing confidential and other held jobs.....	99
Holding jobs in the printer.....	99
Printing confidential and other held jobs from Windows.....	100
Printing confidential and other held jobs from a Macintosh computer.....	100
Printing from a USB flash memory device.....	101
Printing information pages.....	103
Printing a menu settings page.....	103
Printing a network setup page.....	103
Printing a directory list.....	103
Printing the print quality test pages.....	103
Canceling a print job.....	104
Canceling a print job from the control panel.....	104
Canceling a print job from the Windows taskbar.....	104
Canceling a print job from the Windows desktop.....	104
Canceling a print job from Mac OS 9.....	104
Canceling a print job from Mac OS X.....	104
Printing in black and white.....	105
Using Max Speed and Max Yield.....	105
Clearing jams.....	106
Avoiding jams.....	106
Understanding jam numbers and locations.....	106
200–203 paper jams.....	108
230–231 paper jams.....	108
241 paper jam.....	111
242–244 paper jams.....	112
250 paper jam.....	114
280–282 paper jams.....	115
283–284 and 287–288 paper jams.....	116
284–286 paper jams.....	118
289 staple jam.....	119
290–295 paper jams.....	122

Understanding printer menus.....	124
Menu list.....	124
Supplies menu.....	125
Paper menu.....	126
Default Source menu.....	126
Paper Size/Type menu.....	126
Configure MP menu.....	128
Substitute Size menu.....	129
Paper Texture menu.....	129
Paper Loading menu.....	130
Custom Types menu.....	131
Custom Names menu.....	131
Custom Bin Names menu.....	132
Universal Setup menu.....	132
Bin Setup menu.....	133
Reports menu.....	134
Reports menu.....	134
Settings menu.....	136
General Settings menu.....	136
Copy Settings menu.....	141
Fax Settings menu.....	143
E-mail Settings menu.....	151
E-mail Server Setup menu.....	154
FTP Settings menu.....	155
Scan to USB Settings.....	158
Print Settings.....	161
Security menu.....	175
Set Date and Time.....	179
Network/Ports menu.....	180
TCP/IP menu.....	180
IPv6 menu.....	182
E-mail Server Setup menu.....	183
Active NIC menu.....	184
Standard Network menu.....	184
Standard USB menu.....	186
NetWare menu.....	187
AppleTalk menu.....	188
LexLink menu.....	188
Help menu.....	188
Understanding printer messages.....	190
List of status and error messages.....	190

Maintaining the printer.....	203
Storing supplies.....	203
Checking the status of supplies.....	203
Checking the status of supplies from the control panel.....	203
Printing a menu settings page.....	203
Checking the status of supplies from a network computer.....	203
Conserving supplies.....	204
Ordering supplies.....	204
Ordering toner cartridges.....	204
Ordering photoconductors.....	204
Ordering staple cartridges.....	204
Ordering a waste toner box.....	205
Replacing supplies.....	205
Replacing the waste toner box.....	205
Cleaning the printhead lenses.....	210
Replacing a photoconductor.....	214
Replacing a toner cartridge.....	217
Cleaning the exterior of the printer.....	219
Cleaning the scanner glass.....	220
Recycling Lexmark products.....	220
Moving the printer.....	220
Before moving the printer.....	220
Moving the printer and options to another location within the office.....	221
Disassembling the printer from the scanner shelf prior to the move.....	221
Setting the printer up in a new location.....	223
Shipping the printer.....	224
Administrative support.....	225
Adjusting the brightness of the display.....	225
Disabling control panel menus.....	225
Adjusting Power Saver.....	225
Restoring the factory default settings.....	226
Encrypting the printer hard disk.....	226
Locking the control panel menus using the Embedded Web Server.....	227
Locking the entire printer.....	227
Modifying confidential print settings.....	227
Supporting IPSec.....	228
Supporting SNMPv3.....	228
Using 802.1x authentication.....	228
Creating an administrative password.....	229
Using Secure mode.....	229

Troubleshooting	231
Checking an unresponsive printer.....	231
Door A will not shut properly.....	231
Solving printing problems.....	232
Multiple-language PDFs do not print	232
Control panel display is blank or displays only diamonds	232


Error message about reading USB drive appears.....	232
Jobs do not print.....	232
Confidential and other held jobs do not print.....	233
Job takes longer than expected to print.....	233
Job prints from the wrong tray or on the wrong paper.....	234
Incorrect characters print.....	234
Tray linking does not work.....	234
Large jobs do not collate.....	234
Unexpected page breaks occur.....	234
Solving copy problems.....	235
Copier does not respond.....	235
Scanner unit does not close.....	235
Poor copy quality.....	235
Partial document or photo copies.....	236
Solving scanner problems.....	237
Checking an unresponsive scanner.....	237
Scan was not successful.....	237
Scanning takes too long or freezes the computer.....	237
Poor scanned image quality.....	237
Partial document or photo scans.....	238
Cannot scan from a computer.....	238
Solving fax problems.....	238
Caller ID is not shown.....	238
Cannot send or receive a fax.....	238
Can send but not receive faxes.....	240
Can receive but not send faxes.....	240
Received fax has poor print quality.....	240
Blocking junk faxes.....	241
Solving option problems.....	241
Option does not operate correctly or quits after it is installed.....	241
Drawers.....	242
Finisher.....	242
Flash memory card.....	242
Hard disk with adapter.....	242
Internal print server.....	243
Memory card.....	243
USB/parallel interface card.....	243
Solving paper feed problems.....	243
Paper frequently jams.....	243
Paper jam message remains after jam is cleared.....	243
Print jobs are not routed to the booklet-maker bin.....	243
Page that jammed does not reprint after you clear the jam.....	244
Solving print quality problems.....	245
Isolating print quality problems.....	245
Blank pages.....	245

Characters have jagged or uneven edges.....	246
Clipped images.....	246
Dark lines.....	246
Gray background.....	246
Incorrect margins.....	247
Light colored line, white line, or incorrectly colored line	247
Paper curl	248
Print irregularities.....	248
Repeating defects.....	249
Skewed print.....	249
Print is too light.....	249
Print is too dark.....	250
Solid color pages.....	250
Toner fog or background shading appears on the page	251
Toner rubs off.....	251
Toner specks.....	251
Transparency print quality is poor	252
Uneven print density.....	252
Solving color quality problems.....	252
FAQ about color printing.....	252
Contacting Customer Support.....	255
Notices.....	256
Edition notice.....	256
Industry Canada notices.....	257
Power consumption.....	263
Index.....	266


Safety information


Connect the power supply cord to a properly grounded electrical outlet that is near the product and easily accessible.


Refer service or repairs, other than those described in the user documentation, to a professional service person.


 **CAUTION:** Do not use the fax feature during a lightning storm. Do not set up this product or make any electrical or cabling connections, such as the power supply cord or telephone, during a lightning storm.


Use only a 26 AWG or larger telecommunications (RJ-11) cord when connecting this product to the public switched telephone network.


 **CAUTION:** The printer weighs 91.2 kg (201 lbs); therefore, it requires two people to roll it safely into place. The scanner weighs 25 kg (55 lb); therefore, it requires two people to roll it safely while it is on its scanner shelf.

 **CAUTION:** The printer weighs 91.2 kg (201 lbs); therefore, it requires two people to roll it safely.

 **CAUTION:** If you are installing memory or option cards sometime after setting up the printer, turn the printer off and unplug the power cord from the wall outlet before continuing. If you have any other devices attached to the printer, turn them off as well and unplug any cables going to the printer.


 **CAUTION:** Turn the printer off, and unplug the power cord from the wall outlet before installing an internal option. If you have any other devices attached to the printer, turn them off as well and unplug any cables going into the printer.

 **CAUTION:** Make sure that all external connections (such as Ethernet and telephone system connections) are properly installed in their marked plug-in ports.

 **CAUTION:** If you are installing a memory card after setting up the printer, turn the printer off, and unplug the power cord from the wall outlet before continuing.


This product is designed, tested, and approved to meet strict global safety standards with the use of specific Lexmark components. The safety features of some parts may not always be obvious. Lexmark is not responsible for the use of other replacement parts.








This product uses a laser.

 **CAUTION:** Use of controls or adjustments or performance of procedures other than those specified herein may result in hazardous radiation exposure.

This product uses a printing process that heats the print media, and the heat may cause the media to release emissions. You must understand the section in your operating instructions that discusses the guidelines for selecting print media to avoid the possibility of harmful emissions.

This symbol indicates the presence of a hot surface or component.

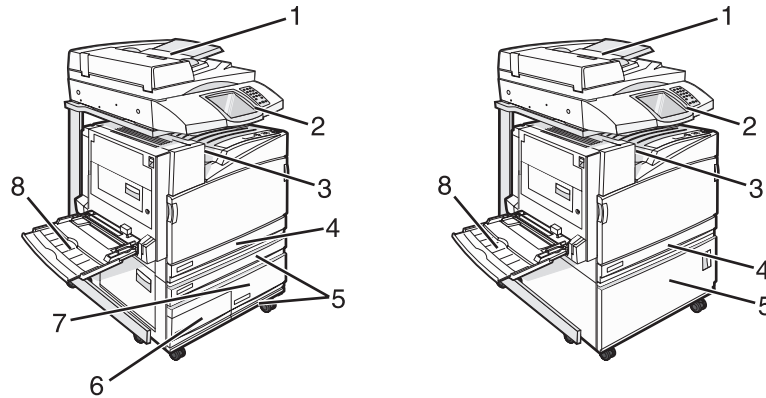
 **CAUTION:** To reduce the risk of injury from a hot component, allow the surface to cool before touching it.

-  This product uses a ground fault circuit interrupter (GFCI). Monthly testing of the GFCI is recommended.
-  **CAUTION:** If you are installing memory or option cards sometime after setting up the printer, turn the printer off and unplug the power cord from the wall outlet before continuing. If you have any other devices attached to the printer, turn them off as well and unplug any cables going to the printer.
-  **CAUTION:** Turn the printer off, and unplug the power cord from the wall outlet before continuing. If you have any other devices attached to the printer, turn them off as well and unplug any cables going into the printer.
-  **CAUTION:** If you are installing a memory card after setting up the printer, turn the printer off, and unplug the power cord from the wall outlet before continuing.
-  **CAUTION:** If installing a flash memory or firmware card after setting up the printer, turn the printer off, and unplug the power cord from the wall outlet before continuing.
-  **CAUTION:** If installing a printer hard disk after setting up the printer, turn the printer off, and unplug the power cord from the wall outlet before continuing.
-  **CAUTION:** The inside of the printer might be hot. To reduce the risk of injury from a hot component, allow the surface to cool before touching.

Learning about the printer

Printer configurations

Basic models



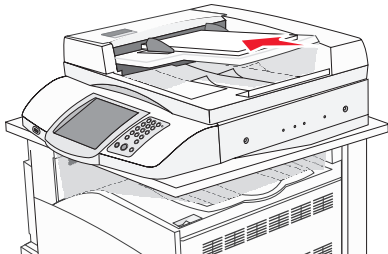
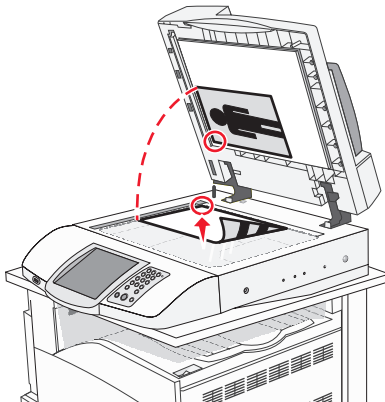
1	Automatic Document Feeder (ADF)
2	Control panel
3	Standard exit bin
4	Standard 520-sheet tray (Tray 1)
5	Cabinet or high capacity feeder. The high capacity feeder consists of: 520-sheet tray (Tray 2) 2000-sheet dual input <ul style="list-style-type: none">• 6—867-sheet tray (Tray 3)• 7—1133-sheet tray (Tray 4)
8	Multipurpose feeder

Basic functions of the scanner

The scanner provides copy, fax, and scan-to-network capability for large workgroups. You can:

- Make quick copies, or change the settings on the control panel to perform specific copy jobs.
- Send a fax using the control panel.
- Send a fax to multiple fax destinations at the same time.
- Scan documents and send them to your computer, an e-mail address, a USB flash memory device, or an FTP destination.
- Scan documents and send them to another printer (PDF by way of FTP).

Understanding the ADF and scanner glass

ADF	Scanner glass
 <p data-bbox="149 556 656 588">Use the ADF for multiple-page documents.</p>	 <p data-bbox="669 703 1429 802">Use the scanner glass for single pages, small items (such as postcards or photos), transparencies, photo paper, or thin media (such as magazine clippings).</p>

You can use the ADF or the scanner glass to scan documents.

Using the ADF

The Automatic Document Feeder (ADF) can scan multiple pages including duplex pages. When using the ADF:

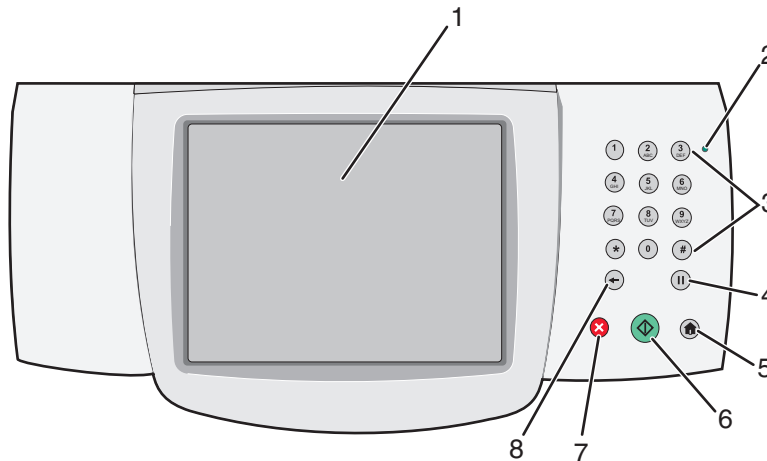
- Load the document into the ADF faceup, short edge first.
- Load up to 75 sheets of plain paper in the ADF input tray.
- Scan sizes from 114.0 x 139.4 mm (4.5 x 5.5 in.) to 297.18 x 431.8 mm (11.7 x 17 in.).
- Scan documents with mixed page sizes (letter and legal).
- Scan media weights from 52 to 120 g/m² (14 to 32 lb).
- Do not load postcards, photos, small items, transparencies, photo paper, or thin media (such as magazine clippings) into the ADF. Place these items on the scanner glass.







Using the scanner glass












The scanner glass (flatbed) can be used to scan or copy single pages or book pages. When using the scanner glass:

- Place a document facedown on the scanner glass in the upper left corner.
- Scan or copy documents up to 215.9 x 355.6 mm (8.5 x 14 in.).
- Copy books up to 25.3 mm (1 in.) thick.

Understanding the control panel

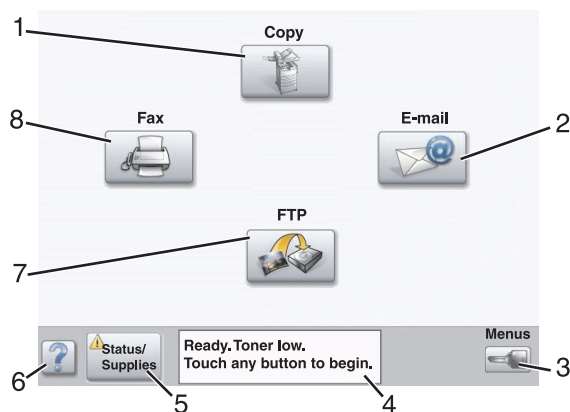


Control panel item		Description
1	Display	View scanning, copying, faxing, and printing options as well as status and error messages.
2	Indicator light	Indicates the printer status: <ul style="list-style-type: none"> • Off—The power is off. • Blinking green—The printer is warming up, processing data, or printing. • Solid green—The printer is on, but idle. • Solid red—Operator intervention is needed.
3	Keypad	Enter numbers or symbols on the display. 
4	Dial Pause	 <ul style="list-style-type: none"> • Press  to cause a two- or three-second dial pause in a fax number. In the Fax To: field, a Dial Pause is represented by a comma (,). • From the home screen, press  to redial a fax number. • The button functions only within the Fax menu or with fax functions. When outside of the Fax menu, fax function, or home screen, pressing  causes an error beep.
5	Home	Press  to return home.

Control panel item		Description
6	Start 	<ul style="list-style-type: none"> Press  to initiate the current job indicated on the display. From the home screen, press  to start a copy job with the default settings. If pressed while a job is scanning, the button has no effect.
7	Stop 	<p>Stops all printer activity</p> <p>A list of options is offered once Stopped appears on the display.</p>
8	Back 	<p>In the Copy menu, press  to delete the right-most digit of the value in the Copy Count. The default value of 1 appears if the entire number is deleted by pressing  numerous times.</p> <p>In the Fax Destination List, press  to delete the right-most digit of a number entered manually. You can also press  to delete an entire shortcut entry. Once an entire line is deleted, another press of  causes the cursor to move up one line.</p> <p>In the E-mail Destination List, press  to delete the character to the left of the cursor. If the character is in a shortcut, the shortcut is deleted.</p>

Understanding the home screen



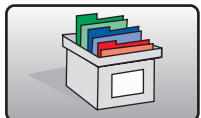

After the printer is turned on and a short warm-up period occurs, the display shows the following basic screen which is referred to as the home screen. Use the home screen buttons to initiate an action such as copying, faxing, or scanning; to open the menu screen; or to respond to messages.





Display item	Description
1	Copy Access the Copy menus. Note: If the home screen is shown, you can also access the Copy menus by pressing a number on the keypad.
2	E-mail Access the E-mail menus.
3	Menus Access the menus. These menus are available only when the printer is in the Ready state.

Display item		Description
4	Status message bar	<ul style="list-style-type: none"> Shows the current printer status such as Ready or Busy. Shows printer conditions such as Toner Low. Shows intervention messages to give instructions on what the user should do so the printer can continue processing, such as Close door or Insert print cartridge.
5	Status/Supplies	Appears on the display whenever the printer status includes a message requiring intervention. Touch it to access the messages screen for more information on the message, including how to clear it.
6	Tips	All menus have a Tips button. Tips is a context-sensitive Help feature within the display touch screens.
7	FTP	Access the File Transfer Protocol (FTP) menus. Note: This function must be set up by your system support person. Once it is set up, it appears as a display item.
8	Fax	Access the Fax menus.

Other buttons that may appear on the home screen:

Button	Button name	Function
	Release Held Faxes	If this button is shown, there are held faxes with a scheduled hold time previously set. To access the list of held faxes, touch this button.
	Search Held Jobs	Searches on any of the following items and returns search results: <ul style="list-style-type: none"> User names for held or confidential print jobs Job names for held jobs, excluding confidential print jobs Profile names Bookmark container or job names USB container or job names for supported extensions only
	Held Jobs	Opens a screen containing all the held jobs
	Lock Device	This button appears on the screen when the printer is unlocked and Device Lockout Personal Identification Number (PIN) is not empty. Touching this button opens a PIN entry screen. Entering the correct PIN locks the control panel (touch screen and hard buttons).









Button	Button name	Function
	Unlock Device	<p>This button appears on the screen when the printer is locked. The control panel buttons and shortcuts cannot be used while it appears.</p> <p>Touching this button opens a PIN entry screen. Entering the correct PIN unlocks the control panel (touch screen and hard buttons).</p>
	Cancel Jobs	<p>Opens the Cancel Jobs screen. The Cancel Jobs screen shows three headings: Print, Fax, and Network.</p> <p>The following items are available under the Print, Fax, and Network headings:</p> <ul style="list-style-type: none"> • Print job • Copy job • Fax profile • FTP • E-mail send <p>Each heading has a list of jobs shown in a column under it. Each column can show only three jobs per screen. The job appears as a button which you can touch to access information about the job. If more than three jobs exist in a column, then the down arrow appears at the bottom of the column. Each touch of the down arrow accesses one job in the list. When more than three jobs exist, once the fourth job in the list is reached, then an up arrow appears at the top of the column.</p>



Using the touch-screen buttons

Note: Depending on your options and administrative setup, your screens and buttons may vary from those shown.

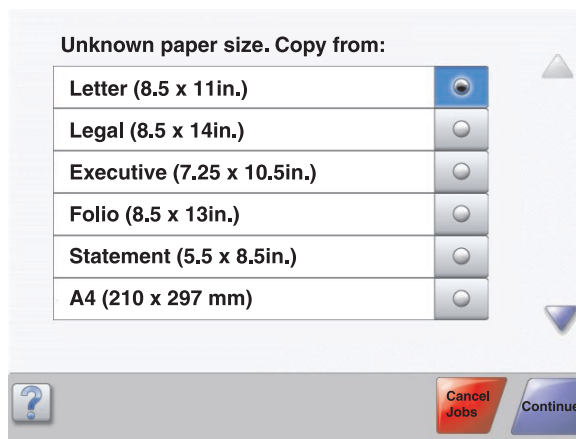
Sample screen one









Button	Button name	Function
	Scroll down	Opens a drop-down list
	Left scroll decrease button	Scrolls to another value in decreasing order
	Right scroll increase button	Scrolls to another value in increasing order
	Left arrow button	Scrolls left
	Right arrow button	Scrolls right
	Scan the ADF	Scans using the ADF
	Scan the flatbed	Scans using the scanner glass
	Submit	Saves a value as the new user default setting

Button	Button name	Function
	Back	When the button is shaped like this, no other navigation is possible from this screen except to go back.
	Back	When the button is shaped like this, both forward and backward navigation is possible from this screen.


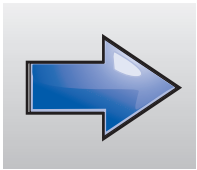

Sample screen two




Button	Button name	Function
	Down arrow	Moves down to the next screen
	Up arrow	Moves up to the next screen
	Unselected radio button	This is an unselected radio button. The radio button is gray to show it is unselected.
	Selected radio button	This is a selected radio button. The radio button is blue to show it is selected.

Button	Button name	Function
	Cancel Jobs	<p>Opens the Cancel Jobs screen. The Cancel Jobs screen shows three headings: Print, Fax, and Network.</p> <p>The following items are available under the Print, Fax, and Network headings:</p> <ul style="list-style-type: none"> • Print job • Copy job • Fax profile • FTP • E-mail send <p>Each heading has a list of jobs shown in a column under it. Each column can show only three jobs per screen. The job appears as a button which you can touch to access information about the job. If more than three jobs exist in a column, then the down arrow appears at the bottom of the column. Each touch of the down arrow accesses one job in the list. When more than three jobs exist, once the fourth job in the list is reached, then an up arrow appears at the top of the column.</p>
	Continue	Touch this button when more changes need to be made for a job or after clearing a paper jam.

Other touch-screen buttons

Button	Button name	Function
	Cancel	<ul style="list-style-type: none"> • Cancels an action or a selection • Cancels out of a screen and returns to the previous screen
	Select	Selects a menu or menu item
	Done	<p>Specifies that a job is finished</p> <p>For example, when scanning an original document, touch this button to indicate the last page has scanned. The job then begins printing.</p>

Features

Feature	Feature name	Description
Menus→ Settings→ Copy Settings→ Number of Copies	Menu trail line	<p>A Menu trail line is located at the top of each menu screen. This feature acts as a trail, showing the path taken to arrive at the current menu. It gives the exact location within the menus.</p> <p>Touch any of the underlined words to return to that menu or menu item.</p> <p>The Number of Copies is not underlined since this is the current screen. If this feature is used on the Number of Copies screen before the Number of Copies is set and saved, then the selection is not saved, and it does not become the user default setting.</p>
	Attendance message alert	<p>If an attendance message occurs which closes a function, such as copy or fax, then a solid red exclamation point appears over the function button on the home screen. This indicates that an attendance message exists.</p>

Installing options

Installing internal options

CAUTION: If you are installing memory or option cards sometime after setting up the printer, turn the printer off and unplug the power cord from the wall outlet before continuing. If you have any other devices attached to the printer, turn them off as well, and unplug any cables going to the printer.

You can customize your printer connectivity and memory capacity by adding optional cards. The instructions in this section explain how to install the available cards; you can also use them to locate a card for removal.

Available options

Memory cards

- Printer memory
- Flash memory
- Fonts

Firmware cards

- Bar Code and Forms
- IPDS and SCS/TNe
- PrintCryption™
- PRESCRIBE

Other internal options

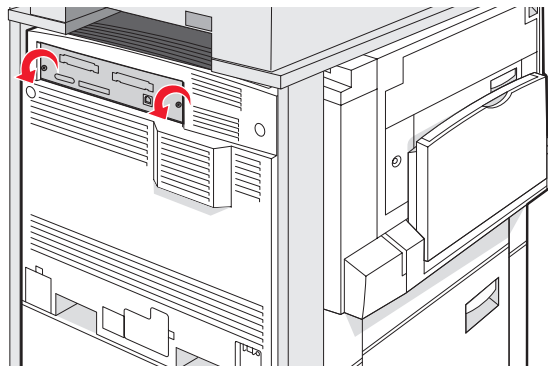
- RS-232 serial interface card
- Parallel 1284-B interface card
- MarkNet™ N8000 Series Internal Print Servers

Accessing the system board to install internal options

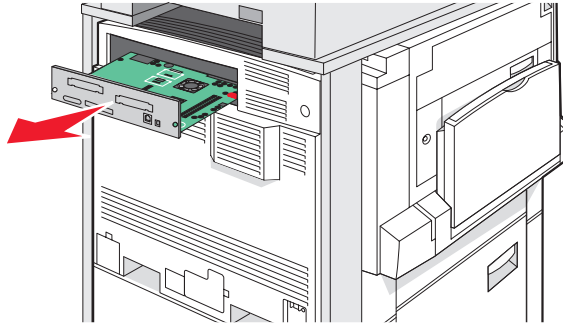
CAUTION: Turn the printer off, and unplug the power cord from the wall outlet before installing an internal option. If you have any other devices attached to the printer, turn them off as well and unplug any cables going into the printer.

Note: This operation requires a #2 Phillips screwdriver.


- 1 Remove the cover and system board.
 - a Turn the screws on the cover counterclockwise, and then remove them.

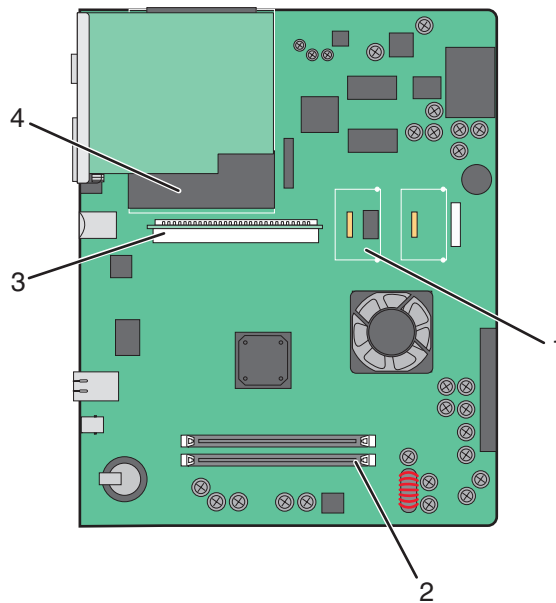


b Gently pull the cover and system board away from the printer, and then remove it.




2 Use the illustration below to locate the appropriate connector.


 **Warning:** System board electrical components are easily damaged by static electricity. Touch something metal on the printer before touching any system board electronic components or connectors.



1	Firmware and flash memory card connectors
2	Memory card connector
3	Internal print server connector
4	Hard disk

Installing a memory card

 **CAUTION:** If you are installing a memory card after setting up the printer, turn the printer off, and unplug the power cord from the wall outlet before continuing.

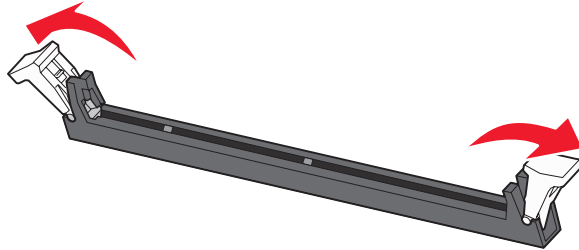
 **Warning:** System board electrical components are easily damaged by static electricity. Touch something metal on the printer before touching any system board electronic components or connectors.

An optional memory card can be purchased separately and attached to the system board. To install the memory card:

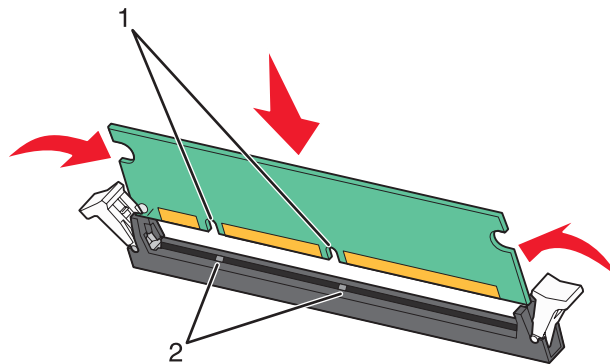
- 1 Access the system board.
- 2 Unpack the memory card.

Note: Avoid touching the connection points along the edge of the card.

- 3 Open the memory card connector latches.



- 4 Align the notches on the memory card with the ridges on the connector.



1	Notches
2	Ridges

- 5 Push the memory card straight into the connector until it *snaps* into place.
- 6 Reinstall the system board.

Installing a flash memory or firmware card

The system board has two connections for an optional flash memory or firmware card. Only one of each may be installed, but the connectors are interchangeable.

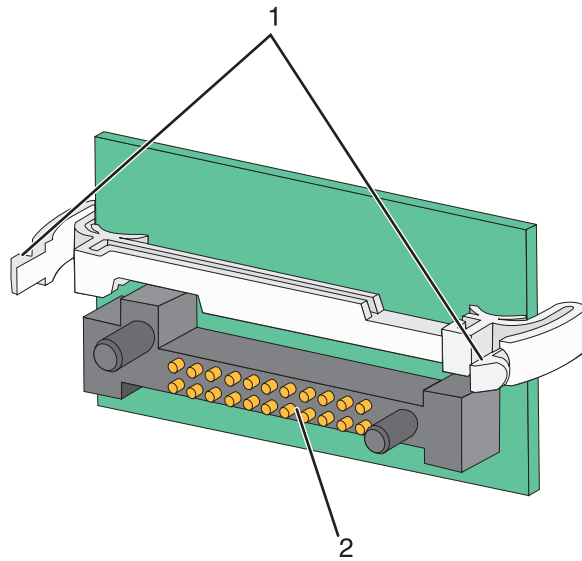
CAUTION: If you are installing a memory card after setting up the printer, turn the printer off, and unplug the power cord from the wall outlet before continuing.

Warning: System board electrical components are easily damaged by static electricity. Touch something metal on the printer before touching any system board electronic components or connectors.

- 1 Access the system board.
- 2 Unpack the card.

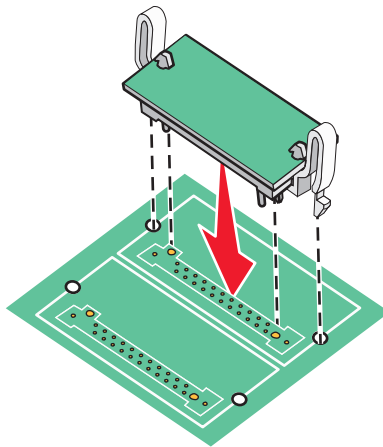
Note: Avoid touching the connection points along the edge of the card.

- 3 Holding the card by its sides, align the plastic pins on the card with the holes on the system board.



1	Plastic pins
2	Metal pins

4 Push the card firmly into place.



Notes:

- The entire length of the connector on the card must touch and be flush against the system board.
- Be careful not to damage the connectors.

5 Reinstall the system board.

Installing an internal print server or port interface card

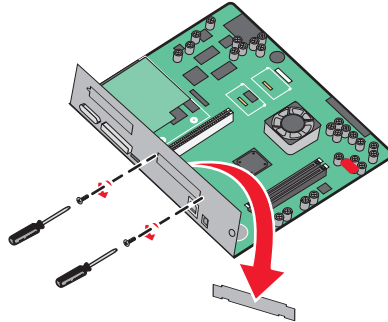
⚠ CAUTION: Turn the printer off, and unplug the power cord from the wall outlet before installing an internal option. If you have any other devices attached to the printer, turn them off as well and unplug any cables going into the printer.

⚡ Warning: System board electrical components are easily damaged by static electricity. Touch something metal on the printer before touching any system board electronic components or connectors.

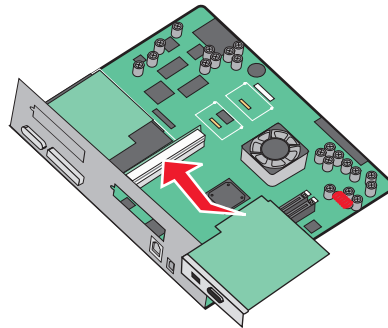
Note: A #2 Phillips screwdriver is needed to install an internal print server or port interface card.

An internal print server allows connection from the printer to the *local area network* (LAN). An optional port interface card expands the ways the printer can connect to a computer or external print server.

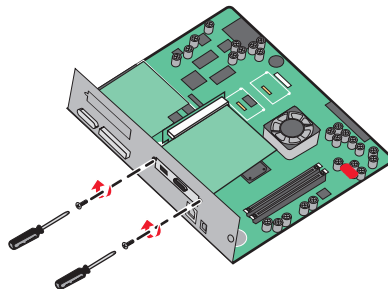
- 1 Access the system board.
- 2 Unpack the internal print server or port interface card.
- 3 Remove the metal plate on the system board tray that covers the connector slot, and save the metal plate.



- 4 Align the connector on the internal print server or port interface card with the connector on the system board.
Note: The cable connectors on the side of the optional card must fit through the opening in the faceplate.




- 5 Push the internal print server or port interface card firmly into the card connector on the system board.
- 6 Insert a screw into the hole on the right side of the connector slot. Gently tighten the screw to secure the card to the system board tray.



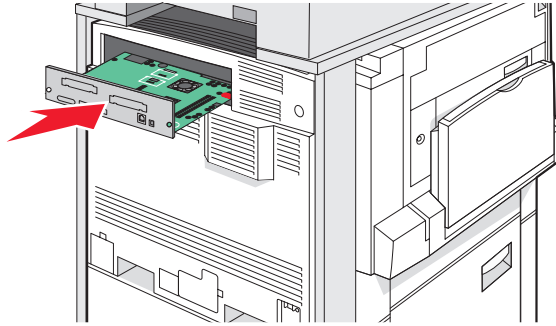
- 7 Reinstall the system board.

Reinstalling the system board

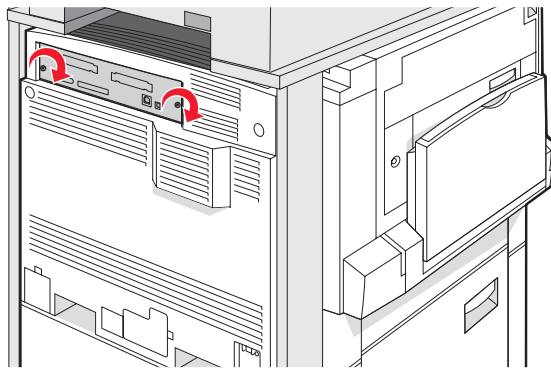
 **Warning:** System board electrical components are easily damaged by static electricity. Touch something metal on the printer before touching any system board electronic components or connectors.

Note: This operation requires a #2 Phillips screwdriver.

- 1 Gently insert the system board into the printer.



- 2 Replace the cover screws, and then turn them clockwise.

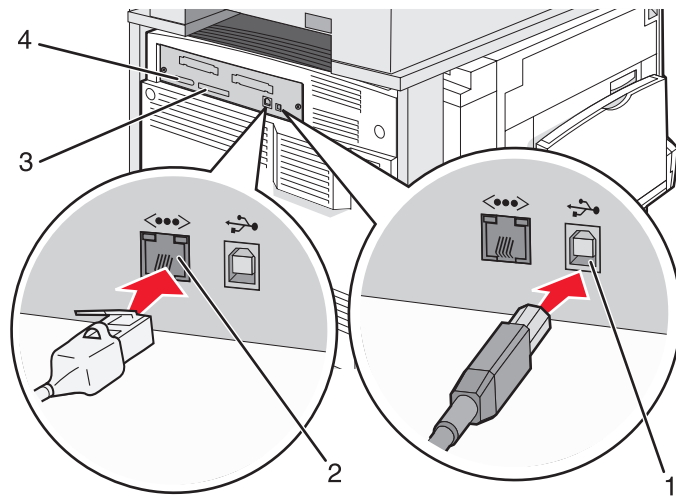


- 3 Tighten the screws firmly.

Attaching cables

Connect the printer to the computer using a USB cable or Ethernet cable. A USB port requires a USB cable. Be sure to match the USB symbol on the cable with the USB symbol on the printer. Match the appropriate Ethernet cable to the Ethernet port.

Connect the two scanner cables to the scanner connectors on the back of the printer.





1	USB port
2	Ethernet port
3	Scanner connector
4	Scanner connector

Loading paper and specialty media

This section explains how to load the 520-, 850-, and 1150-sheet trays, and the multipurpose feeder. It also includes information about paper orientation, setting the Paper Size and Paper Type, and linking and unlinking trays.

Setting the Paper Size and Paper Type

The Paper Size setting is determined by the position of the paper guides in the tray for all trays except the multipurpose feeder. The Paper Size setting for the multipurpose feeder must be set manually. The factory default Paper Type setting is Plain Paper. The Paper Type setting must be set manually for all trays that do not contain plain paper.

- 1 Make sure the printer is on and **Ready** appears.
- 2 From the control panel, touch .
- 3 Touch **Paper Menu**.
- 4 Touch **Paper Size/Type**.
- 5 Touch the tray number, or touch **MP Feeder Size**.
- 6 Touch  repeatedly until the desired size appears.
- 7 Touch **Submit**.

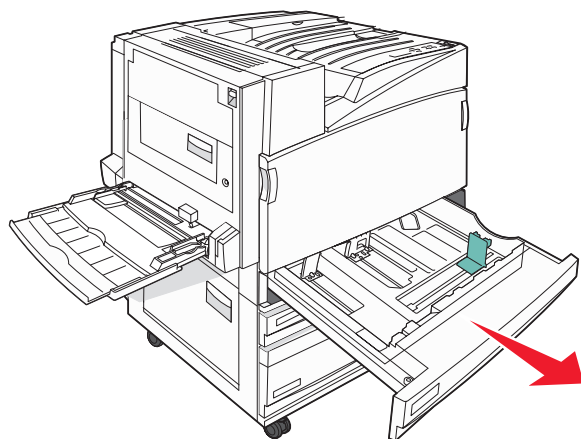
Loading the 520-sheet trays

Short-edge printing (for A4- and letter-size paper) and specifying auto-size sensing (for A5- and statement-size paper) are available only for the 520-sheet trays.

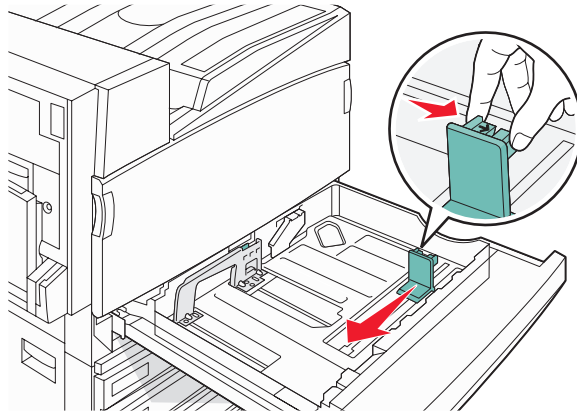
Loading the 520-sheet trays

The printer has a standard 520-sheet tray (Tray 1), and it may have one or more optional 520-sheet trays. All 520-sheet trays support the same paper sizes and types. Paper may be loaded in the trays in either the long-edge or short-edge orientation.

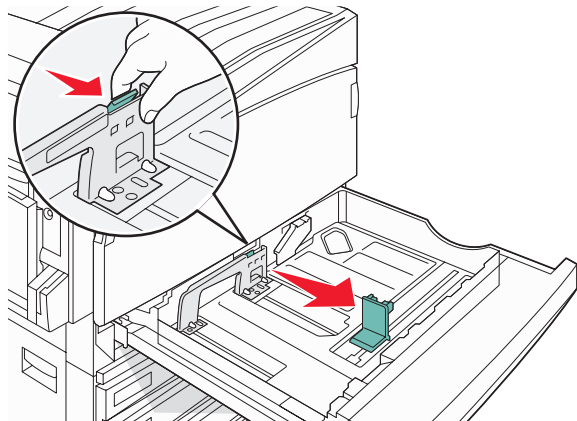
- 1 Grasp the handle, and pull the tray out.



- 2 Squeeze the width guide tabs together as shown, and move the width guide to the correct position for the paper size being loaded.

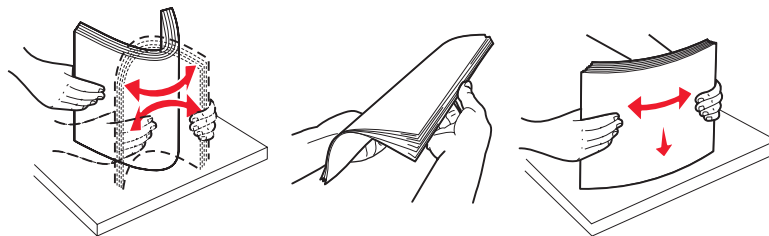


- 3 Squeeze the length guide tab inward as shown, and slide the guide to the correct position for the paper size being loaded.



Note: Use the size indicators on the bottom of the tray to help position the guides.

- 4 Flex the sheets back and forth to loosen them, and then fan them. Do not fold or crease the paper. Straighten the edges on a level surface.

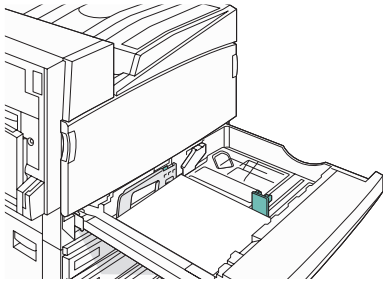


- 5 Load the paper stack with the recommended print side faceup. Load the paper in either the long-edge or short-edge orientation as shown below:

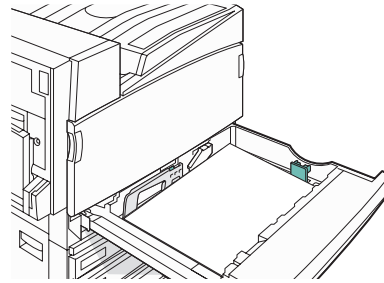
Notes:

- Load sizes larger than A4 in the short-edge orientation.
- Paper must be loaded in the short-edge orientation to create booklets if the optional booklet finisher is installed.

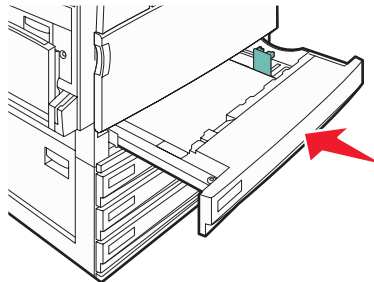
Long-edge orientation



Short-edge orientation



- 6 Make sure the paper guides are secure against the edges of the paper.
- 7 Align the tray, and insert it.








- 8 If a different type of paper was loaded than the type previously loaded in the tray, change the Paper Type setting for the tray from the control panel.

Using A5 or statement paper sizes

The paper trays *cannot* distinguish between A5- (148 x 210 mm) and statement-size (140 x 216 mm) paper when both sizes are loaded in the paper trays. From the Size Sensing menu, specify which size you want the printer to detect. Load *either* A5- or statement-size paper in the paper trays, but not both.

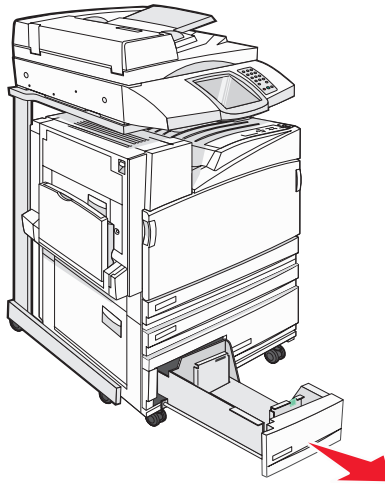
Note: The multipurpose feeder does not use auto-size sensing and can support both A5- and statement-size print jobs. The Size Sensing setting does not affect the multipurpose feeder settings.

- 1 Load either A5- or statement-size paper in a paper tray.
- 2 Turn the printer off.
- 3 Hold down  and  while turning the printer on.
- 4 Release the buttons when the screen with the progress bar appears.
The printer performs a power-on sequence, and then the Configuration menu appears.
- 5 Touch  repeatedly until **Size Sensing** appears.
- 6 Touch **Size Sensing**.
- 7 Touch  repeatedly until **Statement /A5** appears.
- 8 Touch  repeatedly until the paper size you want appears.
- 9 Touch **Submit**.
- 10 Touch **Exit Config Menu**.

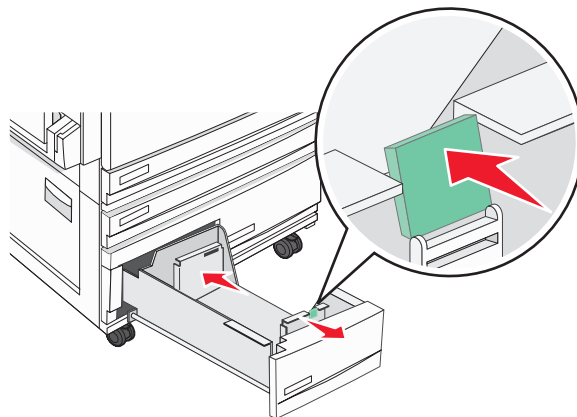
Loading the 867- and 1133-sheet trays

Although the 867-sheet tray and the 1133-sheet tray are different in appearance, they support the same paper sizes and types and require the same process for loading paper. Use these instructions to load paper in either tray:

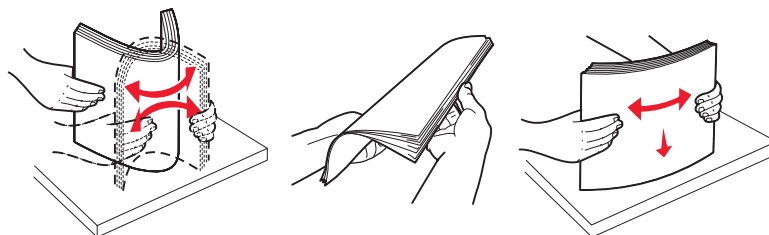
- 1 Grasp the handle, and open the tray.



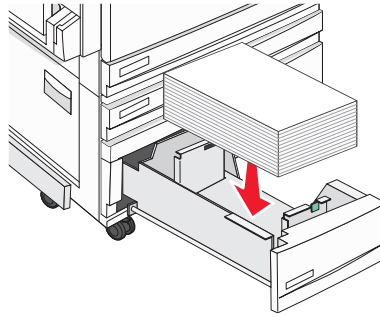
- 2 Squeeze the length guide tab inward as shown, and slide the guide to the correct position for the paper size being loaded.



- 3 Flex the sheets back and forth to loosen them, and then fan them. Do not fold or crease the paper. Straighten the edges on a level surface.



4 Load the paper stack with the recommended print side faceup.

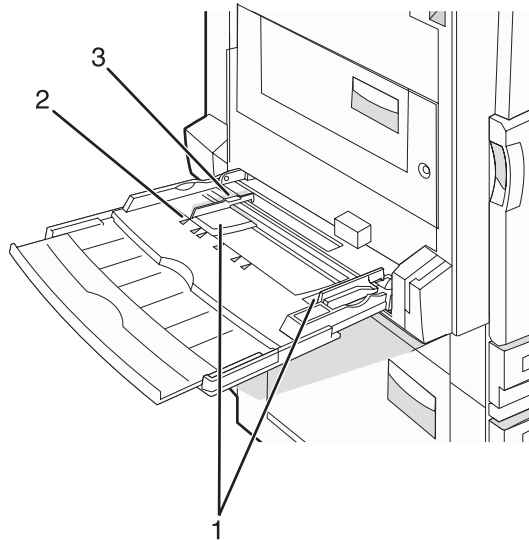


5 Make sure the paper guides are secure against the edges of the paper.

6 Insert the tray into the printer.

7 If a different type of paper was loaded than the type previously loaded in the tray, change the Paper Type setting for the tray from the control panel.

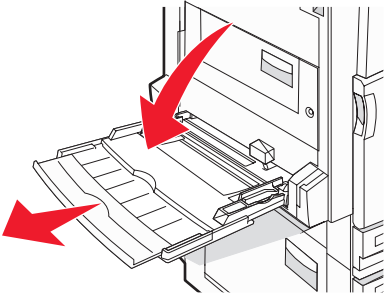
Using the multipurpose feeder



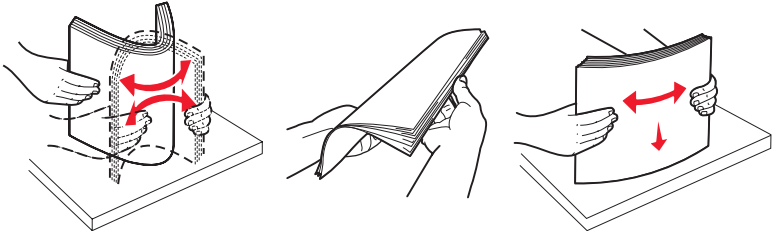
1	Paper guides
2	Size indicators

3	Stack height limiter
----------	-----------------------------

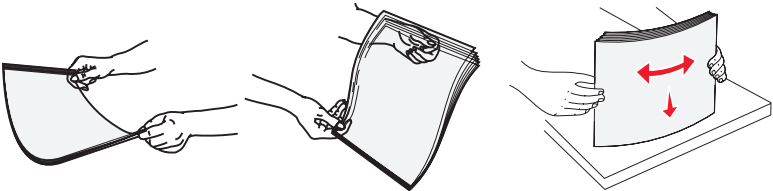
- 1 Pull the multipurpose feeder tray down.
- 2 Grasp the extension, and gently pull it out until it is fully extended.



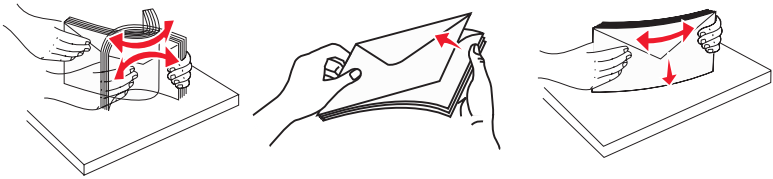
- 3 Prepare the paper for loading.
 - Flex sheets of paper back and forth to loosen them, and then fan them. Do not fold or crease the paper. Straighten the edges on a level surface.



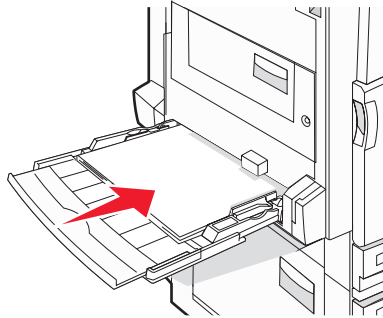
- Hold transparencies by the edges, and then fan them. Straighten the edges on a level surface.
Note: Avoid touching the print side of the transparencies. Be careful not to scratch them.



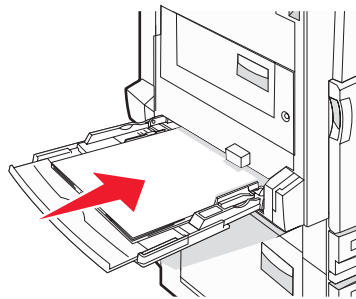
- Flex a stack of envelopes back and forth to loosen them, and then fan them. Straighten the edges on a level surface.



- 4 Load the paper, and then adjust the paper guides so that they lightly touch the edges of the paper stack.
- Load letter, A4, and transparencies with the recommended print side facedown and the long edge of the paper entering the printer first.



- Load A3, A5, B4, folio, legal, and statement paper with the recommended print side facedown and the short edge of the paper entering the printer first.



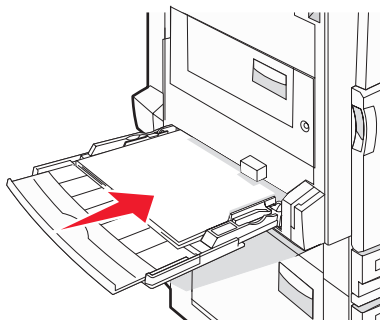
Notes:

- Adjust the additional paper guide to accommodate SRA3 and 12 x 19 paper sizes.
- Do not exceed the maximum stack height by forcing paper under the stack height limiter.
- Load envelopes with the flap side up.

Warning: Never use envelopes with stamps, clasps, snaps, windows, coated linings, or self-stick adhesives. These envelopes may severely damage the printer.

Note: Load only one size and type of paper at a time.

- 5 Make sure the paper is as far into the multipurpose feeder as it will go with very gentle pushing. Paper should lie flat in the multipurpose feeder. Make sure the paper fits loosely in the multipurpose feeder and is not bent or wrinkled.



- 6 From the control panel, set the Paper Size and Paper Type.



Configuring Universal paper settings

The Universal Paper Size is a user-defined setting that lets you print on paper sizes that are not preset in the printer menus. Set the Paper Size for the specified tray to Universal when the size you want is not available from the Paper Size menu. Then, specify all of the following Universal size settings for your paper:

- Units of measure (inches or millimeters)
- Portrait Height and Portrait Width
- Feed Direction

Note: The smallest supported Universal size is 100 x 148 mm (3.9 x 5.8 in.); the largest is 305 x 483 mm (11.7 x 19 in.).

Set paper size to universal

- 1 Make sure the printer is on and **Ready** appears.
- 2 On the home screen, touch .
- 3 Touch **Paper Menu**.
- 4 Touch **Paper Size/Type**.
- 5 Touch the tray number or **MP Feeder Size**.
- 6 Touch  repeatedly until **Universal** appears.
- 7 Touch **Submit**.

Linking and unlinking trays

Linking trays

Tray linking is useful for large print jobs or multiple copies. When one linked tray is empty, paper feeds from the next linked tray. When the Paper Size and Paper Type settings are the same for any trays, the trays are automatically linked. The Paper Size setting is automatically sensed according to the position of the paper guides in each tray except the multipurpose feeder. The Paper Size setting for the multipurpose feeder must be set manually from the Paper Size menu. The Paper Type setting must be set for all trays from the Paper Type menu. The Paper Type menu and the Paper Size menu are both available from the Paper Size/Type menu.

Unlinking trays

Unlinked trays have settings that are *not* the same as the settings of any other tray.

To unlink a tray, change the following tray settings so that they do not match the settings of any other tray:

- Paper Type (for example: Plain Paper, Letterhead, Custom Type <x>)

Paper Type names describe the paper characteristics. If the name that best describes your paper is used by linked trays, assign a different Paper Type name to the tray, such as Custom Type <x>, or define your own custom name.

- Paper Size (for example: letter, A4, statement)

Load a different paper size to change the Paper Size setting for a tray automatically. Paper Size settings for the multipurpose feeder are not automatic; they must be set manually from the Paper Size menu.

Warning: Do not assign a Paper Type name that does not accurately describe the type of paper loaded in the tray. The temperature of the fuser varies according to the specified Paper Type. Paper may not be properly processed if an inaccurate Paper Type is selected.

Changing a Custom Type <x> name

You can use the Embedded Web Server or MarkVision™ to define a name other than Custom Type <x> for each of the custom paper types that are loaded. When a Custom Type <x> name is changed, the menus display the new name instead of Custom Type <x>.

To change a Custom Type <x> name from the Embedded Web Server:

- 1 Open a Web browser.

Note: The computer must be connected to the same network as the printer.

- 2 In the address bar, type the IP address of the network printer (for example, 192.264.263.17).

- 3 Press **Enter**.

- 4 From the navigation panel of the initial page, click **Configuration**.

- 5 Click **Paper Menu**.

- 6 Click **Custom Name**.

- 7 Type a name for the paper type in a Custom Name <x> box.

Note: This custom name will replace a custom type <x> name under the Custom Types and Paper Size/Type menus.

- 8 Click **Submit**.

Submitting Selection appears.

- 9 Click **Custom Types**.

Custom Types appears, followed by your custom name.

- 10 Select a Paper Type setting from the picklist next to your custom name.


- 11 Click **Submit**.

Submitting Selection appears.

Assigning a custom paper type name

Assign a custom paper type name to a tray when linking or unlinking the tray.

- 1 Make sure the printer is on and **Ready** appears.

- 2 From the control panel, touch .

- 3 Touch **Paper Menu**.

- 4 Touch **Paper Size/Type**.

- 5 Touch the tray number or **MP Feeder Type**.

- 6 Touch  repeatedly until **Custom Type <x>** or another custom name appears.

- 7 Touch **Submit**.

Paper and specialty media guide

Paper guidelines

Paper characteristics

The following paper characteristics affect print quality and reliability. Consider these characteristics when evaluating new paper stock.

Weight

The printer can automatically feed paper weights from 60 to 220 g/m² (16 to 58 lb bond) grain long. Paper lighter than 60 g/m² (16 lb) might not be stiff enough to feed properly, causing jams. For best performance, use 75 g/m² (20 lb bond) grain long paper. For paper smaller than 182 x 257 mm (7.2 x 10.1 in.), we recommend 90 g/m² (24 lb) or heavier paper.

Note: Duplex is supported only for 63 g/m²–170 g/m² (17 lb–45 lb bond) paper.

Curl

Curl is the tendency for paper to curl at its edges. Excessive curl can cause paper feeding problems. Curl can occur after the paper passes through the printer, where it is exposed to high temperatures. Storing paper unwrapped in hot, humid, cold, or dry conditions, even in the trays, can contribute to paper curling prior to printing and can cause feeding problems.

Smoothness

Paper smoothness directly affects print quality. If paper is too rough, toner cannot fuse to it properly. If paper is too smooth, it can cause paper feeding or print quality issues. Always use paper between 100 and 300 Sheffield points; however, smoothness between 150 and 200 Sheffield points produces the best print quality.

Moisture content

The amount of moisture in paper affects both print quality and the ability of the printer to feed the paper correctly. Leave paper in its original wrapper until it is time to use it. This limits the exposure of paper to moisture changes that can degrade its performance.

Condition paper before printing by storing it in its original wrapper in the same environment as the printer for 24 to 48 hours before printing. Extend the time several days if the storage or transportation environment is very different from the printer environment. Thick paper may also require a longer conditioning period.

Grain direction

Grain refers to the alignment of the paper fibers in a sheet of paper. Grain is either *grain long*, running the length of the paper, or *grain short*, running the width of the paper.

For 60 to 135 g/m² (16 to 36 lb bond) paper, grain long paper is recommended. For papers heavier than 135 g/m², grain short is recommended.

Fiber content

Most high-quality xerographic paper is made from 100% chemically treated pulped wood. This content provides the paper with a high degree of stability resulting in fewer paper feeding problems and better print quality. Paper containing fibers such as cotton can negatively affect paper handling.

Unacceptable paper

The following paper types are not recommended for use with the printer:

- Chemically treated papers used to make copies without carbon paper, also known as carbonless papers, carbonless copy paper (CCP), or no carbon required (NCR) paper
- Preprinted papers with chemicals that may contaminate the printer
- Preprinted papers that can be affected by the temperature in the printer fuser
- Preprinted papers that require a registration (the precise print location on the page) greater than ± 2.3 mm (± 0.9 in.), such as optical character recognition (OCR) forms

In some cases, registration can be adjusted with a software application to successfully print on these forms.

- Coated papers (erasable bond), synthetic papers, thermal papers
- Rough-edged, rough or heavily textured surface papers, or curled papers
- Recycled papers that fail EN12281:2002 (European)
- Paper weighing less than 60 g/m² (16 lb)
- Multiple-part forms or documents

Selecting paper

Using appropriate paper prevents jams and helps ensure trouble-free printing.

To help avoid jams and poor print quality:

- *Always* use new, undamaged paper.
- Before loading paper, know the recommended print side of the paper. This information is usually indicated on the paper package.
- *Do not* use paper that has been cut or trimmed by hand.
- *Do not* mix paper sizes, types, or weights in the same source; mixing results in jams.
- *Do not* use coated papers unless they are specifically designed for electrophotographic printing.

Selecting preprinted forms and letterhead

Use these guidelines when selecting preprinted forms and letterhead:

- Use grain long for 60 to 90 g/m² weight paper.
- Use only forms and letterhead printed using an offset lithographic or engraved printing process.
- Avoid papers with rough or heavily textured surfaces.

Use papers printed with heat-resistant inks designed for use in xerographic copiers. The ink must be able to withstand temperatures up to 230°C (446°F) without melting or releasing hazardous emissions. Use inks that are not affected by the resin in toner. Inks that are oxidation-set or oil-based generally meet these requirements; latex inks might not. When in doubt, contact the paper supplier.

Preprinted papers such as letterhead must be able to withstand temperatures up to 230°C (446°F) without melting or releasing hazardous emissions.

Using recycled paper

As an environmentally conscious company, Lexmark supports the use of recycled office paper produced specifically for use in laser (electrophotographic) printers. In 1998, Lexmark presented to the US government a study demonstrating that recycled paper produced by major mills in the US fed as well as non-recycled paper. However, no blanket statement can be made that *all* recycled paper will feed well.

Lexmark consistently tests its printers with recycled paper (20–100% post-consumer waste) and a variety of test paper from around the world, using chamber tests for different temperature and humidity conditions. Lexmark has found no reason to discourage the use of today's recycled office papers, but generally the following property guidelines apply to recycled paper.

- Low moisture content (4–5%)
- Suitable smoothness (100–200 Sheffield units)
- Suitable sheet-to-sheet coefficient of friction (0.4–0.6)
- Sufficient bending resistance in the direction of feed

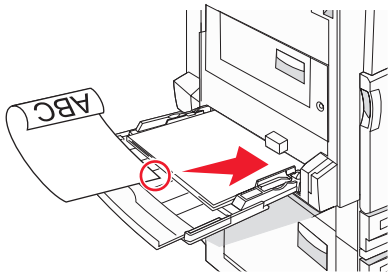
Recycled paper, paper of lower weight (<60 gm²/16 lb bond) and/or lower caliper (<3.8 mils/0.1 mm), and paper that is cut grain-short for portrait (or short-edge) fed printers may have lower bending resistance than is required for reliable paper feeding. Before using these types of paper for laser (electrophotographic) printing, consult your paper supplier. Remember that these are general guidelines only and that paper meeting these guidelines may still cause paper feeding problems.

Using letterhead

Check with the manufacturer or vendor to determine whether the chosen preprinted letterhead is acceptable for laser printers.

Page orientation is important when printing on letterhead. Use the following sections to determine which direction to load the letterhead in each paper source:

Loading letterhead in the multipurpose feeder



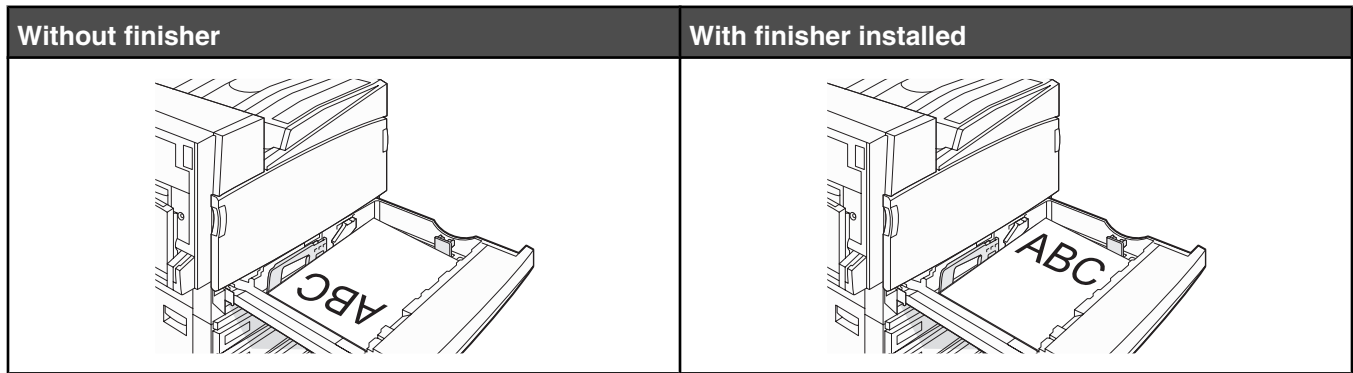
Note: Place the letterhead facedown in the multipurpose feeder with the long edge of the paper entering the printer first.

Loading letterhead in the 520-sheet trays

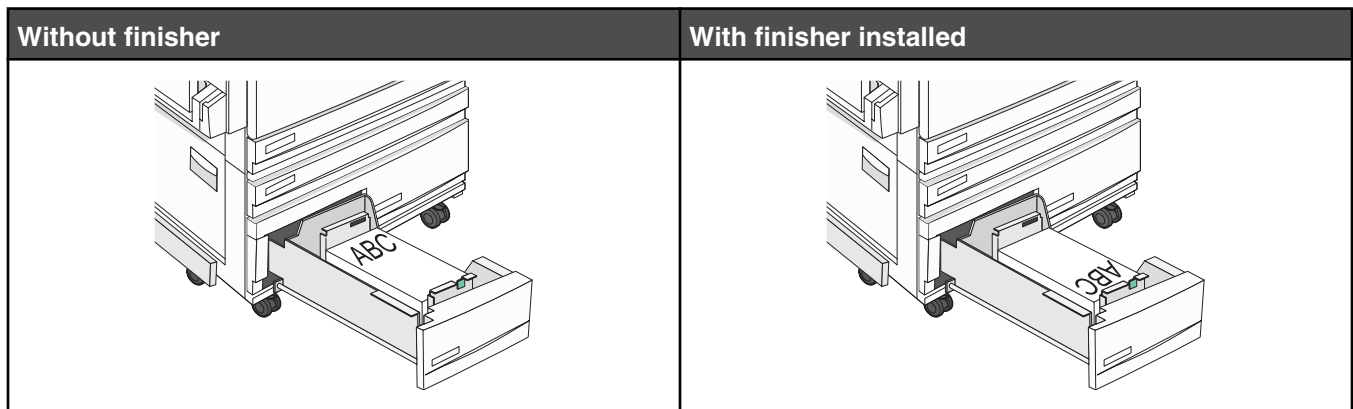
Long-edge orientation

Without finisher	With finisher installed

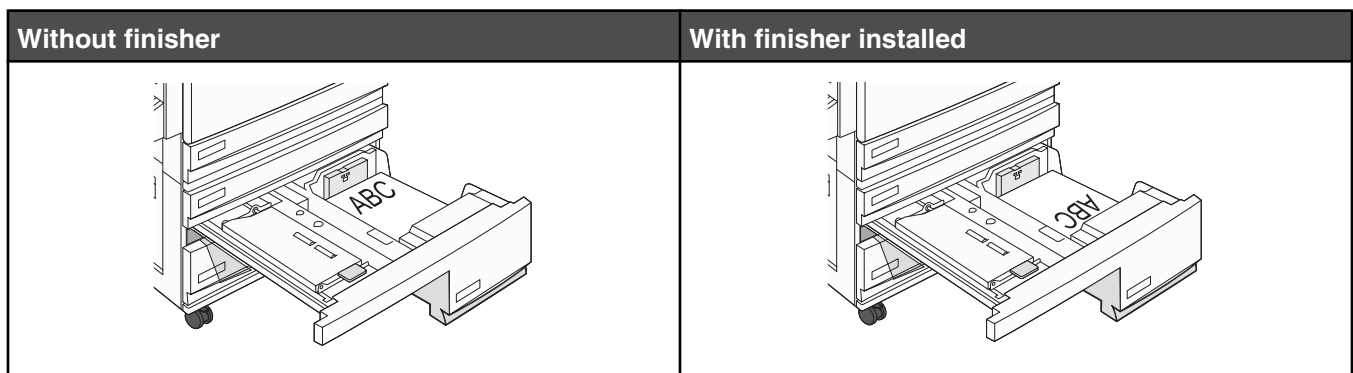
Short-edge orientation



Loading letterhead in the 867-sheet tray



Loading letterhead in the 1133-sheet tray



Using transparencies

Print samples on the transparencies being considered for use before buying large quantities.

When printing on transparencies:

- From MarkVision Professional, Print Properties, or the control panel, set the Paper Type to Transparency.
- Feed transparencies from the standard tray or the multipurpose feeder.
- Use transparencies designed specifically for laser printers. Check with the manufacturer or vendor to ensure transparencies are able to withstand temperatures up to 230°C (446°F) without melting, discoloring, offsetting, or releasing hazardous emissions.

- Use transparencies that are 0.12–0.14 mm (4.8–5.4 mil) in thickness or 161–179 g/m² in weight. Print quality and durability depend on the transparencies used.
- To prevent print quality problems, avoid getting fingerprints on the transparencies.
- Before loading transparencies, fan the stack to prevent sheets from sticking together.
- We recommend Lexmark part number 12A8240 for letter-size transparencies.

Using envelopes

Print samples on the envelopes being considered for use before buying large quantities.

When printing on envelopes:

- From the control panel, set the Paper Source based on the source in use. From MarkVision Professional, Print Properties, or the control panel, set the Paper Type to Envelope, and select the envelope size.
- Use envelopes designed specifically for laser printers. Check with the manufacturer or vendor to ensure the envelopes can withstand temperatures up to 230°C (446°F) without sealing, wrinkling, curling excessively, or releasing hazardous emissions.
- For the best performance, use envelopes made from 90 g/m² (24 lb bond) paper. Use up to 105 g/m² (28 lb bond) weight for envelopes as long as the cotton content is 25% or less. All-cotton envelopes must not exceed 90 g/m² (24 lb bond) weight.
- Use only new envelopes.
- To optimize performance and minimize jams, do not use envelopes that:
 - Have excessive curl or twist
 - Are stuck together or damaged in any way
 - Have windows, holes, perforations, cutouts, or embossing
 - Have metal clasps, string ties, or folding bars
 - Have an interlocking design
 - Have postage stamps attached
 - Have any exposed adhesive when the flap is in the sealed or closed position
 - Have bent corners
 - Have rough, cockle, or laid finishes
- Adjust the width guide to fit the width of the envelopes.

Note: A combination of high humidity (over 60%) and the high printing temperature may wrinkle or seal envelopes.

Using labels

Print samples on the labels being considered for use before buying large quantities.

For detailed information on label printing, characteristics, and design, see the *Card Stock & Label Guide* available on the Lexmark Web site at www.lexmark.com/publications.

When printing on labels:

- From MarkVision Professional, Print Properties, or the control panel, set the Paper Type to Labels.
- Use only letter, A4, or legal-size label sheets.
- Use labels designed specifically for laser printers. Check with the manufacturer or vendor to verify that label adhesives, face sheet (printable stock), and topcoats can withstand temperatures up to 230°C (446°F) and pressure up to 25 psi without delaminating, oozing around the edges, or releasing hazardous fumes. Do not use vinyl labels.
- Do not use labels with slick backing material.

- Use full label sheets. Partial sheets may cause labels to peel off during printing, resulting in a jam. Partial sheets also contaminate the printer and the cartridge with adhesive, and could void the printer and cartridge warranties.
- Do not use labels with exposed adhesive.
- Do not print within 1 mm (0.04 in.) of the edge of the label, of the perforations, or between die-cuts of the label.
- Be sure adhesive backing does not reach to the sheet edge. Zone coating of the adhesive at least 1 mm (0.04 in.) away from edges is recommended. Adhesive material contaminates the printer and could void the warranty.
- If zone coating of the adhesive is not possible, remove a 1.6 mm (0.06 in.) strip on the leading and driver edge, and use a non-oozing adhesive.
- Portrait orientation works best, especially when printing bar codes.

Using card stock

Card stock is heavy, single-ply print media. Many of its variable characteristics, such as moisture content, thickness, and texture, can significantly impact print quality. Print samples on the card stock being considered for use before buying large quantities.

When printing on card stock:

- From MarkVision Professional, or the control panel:
 - 1 Set the Paper Type to Card Stock.
 - 2 Select a Card Stock Texture setting.
- Be aware that preprinting, perforation, and creasing may significantly affect the print quality and cause jams or other paper handling problems.
- Check with the manufacturer or vendor to ensure the card stock can withstand temperatures up to 230°C (446° F) without releasing hazardous emissions.
- Do not use preprinted card stock manufactured with chemicals that may contaminate the printer. Preprinting introduces semi-liquid and volatile components into the printer.
- Use grain long card stock when possible.

Storing paper

Use these paper storage guidelines to help avoid jams and uneven print quality:

- For best results, store paper where the temperature is 21°C (70°F) and the relative humidity is 40%. Most label manufacturers recommend printing in a temperature range of 18 to 24°C (65 to 75°F) with relative humidity between 40 and 60%.
- Store paper in cartons when possible, on a pallet or shelf, rather than on the floor.
- Store individual packages on a flat surface.
- Do not store anything on top of individual paper packages.

Supported paper sizes, types, and weights

The following tables provide information on standard and optional paper sources and the types of paper they support.

Note: For an unlisted paper size, configure a Universal Paper Size.

For information on card stock and labels, see the *Card Stock & Label Guide*.

Paper sizes supported by the printer

Paper size	Dimensions	520-sheet trays (standard or optional)	High capacity feeder	Multipurpose feeder	Duplex unit
A3	297 x 420 mm (11.7 x 16.5 in.)	✓	X	✓	✓
A4	210 x 297 mm (8.3 x 11.7 in.)	✓	✓	✓	✓
A5¹	148 x 210 mm (5.8 x 8.3 in.)	✓	X	✓	X
Executive	184 x 267 mm (7.3 x 10.5 in.)	X	X	✓	✓
Folio	216 x 330 mm (8.5 x 13 in.)	✓	X	✓	✓
JIS B4	257 x 364 mm (10.1 x 14.3 in.)	✓	X	✓	✓
JIS B5	182 x 257 mm (7.2 x 10.1 in.)	✓	✓	✓	✓
Legal	216 x 356 mm (8.5 x 14 in.)	✓	X	✓	✓
Letter	216 x 279 mm (8.5 x 11 in.)	✓	✓	✓	✓
Statement¹	140 x 216 mm (5.5 x 8.5 in.)	✓	X	✓	X
Tabloid	279 x 432 mm (11 x 17 in.)	✓	X	✓	✓
Universal	100 x 148 mm (3.9 x 5.8 in.) up to 305 x 483 mm (11.7 x 19 in.) ²	X	X	✓	✓
7 3/4 Envelope (Monarch)	98 x 191 mm (3.9 x 7.5 in.)	X	X	✓	X
B5 Envelope	176 x 250 mm (6.9 x 9.8 in.)	X	X	✓	X
C5 Envelope	162 x 229 mm (6.4 x 9 in.)	X	X	✓	X

¹ The printer cannot simultaneously sense A5 and statement paper sizes. From the Size Sensing menu, specify which size you want the printer to detect. This setting applies to all automatic trays except the multipurpose feeder. The multipurpose feeder can support both sizes.

² Measurements apply to simplex (one-sided) printing only. For duplex (two-sided) printing, the minimum size is 140 x 148 mm (5.5 x 5.8 in.) and the maximum size is 297 x 432 mm (11.7 x 17 in.).

Paper size	Dimensions	520-sheet trays (standard or optional)	High capacity feeder	Multipurpose feeder	Duplex unit
9 Envelope	98 x 225 mm (3.9 x 8.9 in.)	X	X	✓	X
10 Envelope	105 x 241 mm (4.1 x 9.5 in.)	X	X	✓	X
DL Envelope	110 x 220 mm (4.3 x 8.7 in.)	X	X	✓	X

¹ The printer cannot simultaneously sense A5 and statement paper sizes. From the Size Sensing menu, specify which size you want the printer to detect. This setting applies to all automatic trays except the multipurpose feeder. The multipurpose feeder can support both sizes.

² Measurements apply to simplex (one-sided) printing only. For duplex (two-sided) printing, the minimum size is 140 x 148 mm (5.5 x 5.8 in.) and the maximum size is 297 x 432 mm (11.7 x 17 in.).

Paper types and weights supported by the printer

The printer engine supports 60–220 g/m² (16–60 lb) paper weights. The duplex unit supports 63–170 g/m² (17–45 lb) paper weights.

Paper type	520-sheet trays	High capacity feeder	Multipurpose feeder	Duplex unit
Plain Paper	✓	✓	✓	✓
Bond	✓	✓	✓	✓
Letterhead	✓	✓	✓	✓
Preprinted	✓	✓	✓	✓
Colored Paper	✓	✓	✓	✓
Card stock	✓	✓	✓	✓
Glossy paper	X	X	✓	X
Paper labels*	X	X	✓	✓
Transparencies	✓	✓	✓	X
Envelopes	X	X	✓	X

* Vinyl labels are not supported.

Paper types and weights supported by the finisher

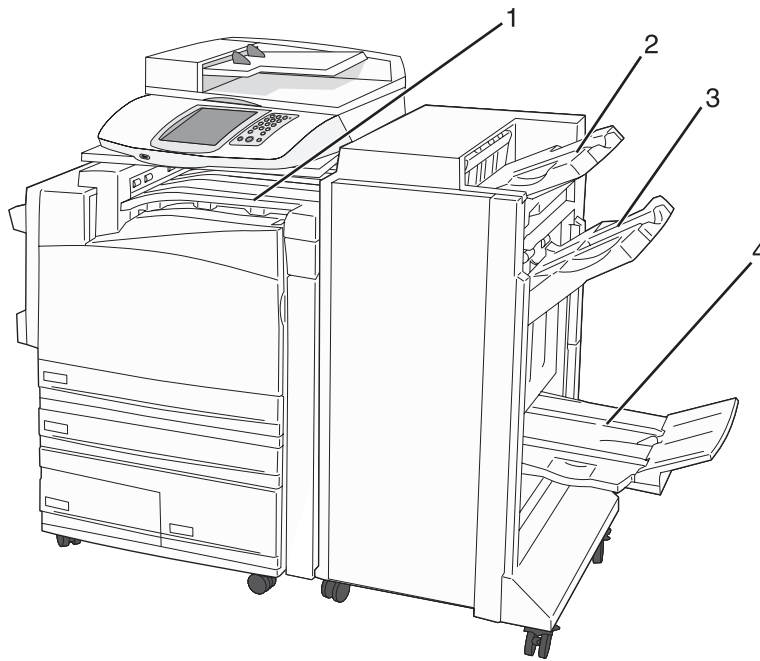
Use this table to determine the possible output destinations of print jobs which use supported paper types and weights. The paper capacity of each output bin is listed in parentheses. Paper capacity estimations are calculated based on 75 g/m² (20 lb) paper.

The Finisher standard bin and Bin 1 support 60–220 g/m² (16–60 lb) paper weights. Bin 2 (booklet-maker) supports 60–90 g/m² (16–24 lb) paper weights plus one additional cover weighted up to 220 g/m² (60 lb).

Paper type	Horizontal transport unit (50 sheets)	Finisher standard bin (500 sheets)	Bin 1 (1500/3000 sheets)*	Bin 2 (300 sheets)
Plain Paper	✓	✓	✓	✓
Bond	✓	✓	✓	✓
Letterhead	✓	✓	✓	✓
Preprinted	✓	✓	✓	✓
Colored Paper	✓	✓	✓	✓
Card stock	✓	✓	✓	✓
Glossy paper	✓	✓	X	X
Labels	✓	✓	X	X
Transparencies	✓	✓	X	X
Envelopes	✓	X	X	X

* Bin 1 of the booklet finisher supports 1500 sheets. Bin 1 of the standard finisher supports 3000 sheets.

Supported finishing features



1	Horizontal transport unit
2	Finisher standard bin

3	Finisher bin 1
4	Finisher bin 2 (booklet-maker)

Notes:

- The finisher shown above, is the booklet finisher. Bin 2 is available only when the booklet finisher is installed.
- All paper capacities are based on 75 g/m² (20 lb) paper.

Horizontal transport unit

- The paper capacity is 50 sheets.
- Finishing options are not supported in this bin.
- Envelopes are routed here.
- Universal paper is routed here when it is longer than 483 mm (19 in.) or shorter than 148 mm (5.8 in.).

Finisher standard bin

- The paper capacity is 500 sheets.
- Envelopes and executive-size paper are not supported in this bin.
- Finishing options are not supported in this bin.

Bin 1

- The paper capacity is 3000 sheets when the standard finisher is installed.
- The paper capacity is 1500 sheets when the booklet finisher is installed.

Bin 1 finishing features

Size	Punch*	Offset	Single/double staple	Double dual staple
A3	✓	✓	✓	✓
A4	✓	✓	✓	✓
A5	X	X	X	X
Executive	✓	✓	✓	X
Folio	X	✓	✓	X
JIS B4	✓	✓	✓	X
JIS B5	✓	✓	✓	X
Legal	X	✓	✓	X
Letter	✓	✓	✓	✓

* For the Universal paper size, the finishing edge must be at least 9 in. (229 mm) for a 3-hole punch and 10 in. (254 mm) for a 4-hole punch.

Punch—Two-, three-, or four-hole punch settings

Single staple—One staple

Double staple—Two staples

Double dual staple—Two sets of two staples. This setting is supported only for widths between 8 in. (203 mm) and 11.7 in. (297 mm) with lengths between 7.2 in. (182 mm) and 17 in. (432 mm).

Size	Punch*	Offset	Single/double staple	Double dual staple
Statement	X	X	X	✓
Tabloid	✓	✓	✓	X
Universal	✓	✓	✓	✓
Envelopes (any size)	X	X	X	X

* For the Universal paper size, the finishing edge must be at least 9 in. (229 mm) for a 3-hole punch and 10 in. (254 mm) for a 4-hole punch.

Punch—Two-, three-, or four-hole punch settings

Single staple—One staple

Double staple—Two staples

Double dual staple—Two sets of two staples. This setting is supported only for widths between 8 in. (203 mm) and 11.7 in. (297 mm) with lengths between 7.2 in. (182 mm) and 17 in. (432 mm).

Bin 2 (booklet-maker)

Bin 2 is available only when the booklet finisher is installed. The paper capacity of Bin 2 (booklet-maker) is 300 sheets or 20 sets of 15-sheet booklets.

Bin 2 finishing features

Size	Bi fold	Booklet fold	Saddle staple
A3	✓	✓	✓
A4 (only SEF)	✓	✓	✓
A5	X	X	X
Executive	X	X	X
Folio	✓	✓	✓
JIS B4	✓	✓	✓
JIS B5	X	X	X
Legal	✓	✓	✓
Letter (only SEF)	✓	✓	✓
Statement	X	X	X
Tabloid	✓	✓	✓
Universal	X	X	X

SEF—The paper is loaded in the short edge orientation. The short edge of the paper enters the printer first.

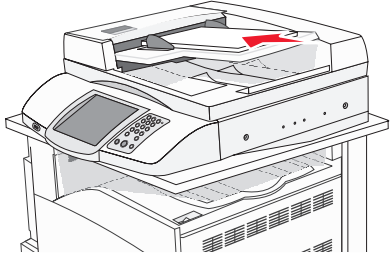
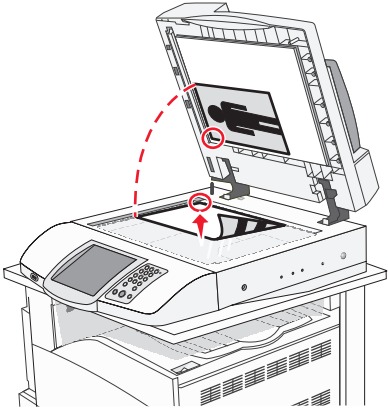
Bi fold—Each page is individually folded and stacked separately.

Booklet fold—A multiple-page job is folded along the center into a single booklet.

Saddle staple—A booklet-fold print job is stapled along the center fold.


Size	Bi fold	Booklet fold	Saddle staple
Envelopes (any size)	X	X	X
<p>SEF—The paper is loaded in the short edge orientation. The short edge of the paper enters the printer first.</p> <p>Bi fold—Each page is individually folded and stacked separately.</p> <p>Booklet fold—A multiple-page job is folded along the center into a single booklet.</p> <p>Saddle staple—A booklet-fold print job is stapled along the center fold.</p>			

Copying

ADF	Scanner glass
 <p data-bbox="151 611 651 638">Use the ADF for multiple-page documents.</p>	 <p data-bbox="670 764 1430 852">Use the scanner glass for single pages, small items (such as postcards or photos), transparencies, photo paper, or thin media (such as magazine clippings).</p>

Making copies

Making a quick copy

- 1 Load an original document faceup, short-edge first into the ADF or facedown on the scanner glass.
Note: Do not load postcards, photos, small items, transparencies, photo paper, or thin media (such as magazine clippings) into the ADF. Place these items on the scanner glass.
- 2 If you are loading a document into the ADF, adjust the paper guides.
- 3 From the control panel, press .
- Note:** If an LDSS profile has been installed, you may receive an error when attempting a quick copy. Contact your system support person for access.
- 4 If you placed the document on the scanner glass, touch **Finish the Job** if you are done.

Copying using the ADF

- 1 Load an original document faceup, short-edge first into the ADF or facedown on the scanner glass.
Note: Do not load postcards, photos, small items, transparencies, photo paper, or thin media (such as magazine clippings) into the ADF. Place these items on the scanner glass.
- 2 If you are loading a document into the ADF, adjust the paper guides.
- 3 On the home screen, touch **Copy**, or use the keypad to enter the number of copies.
The copy screen appears.
- 4 Change the copy settings as needed.
- 5 Touch **Copy It**.

Copying using the scanner glass (flatbed)

- 1 Place an original document facedown on the scanner glass in the upper left corner.
- 2 On the home screen, touch **Copy**, or use the keypad to enter the number of copies.
The copy screen appears.
- 3 Change the copy settings as needed.
- 4 Touch **Copy It**.
- 5 Place the next document on the scanner glass, and then touch **Scan Next** if you have more pages to scan, or touch **Finish the Job** if you are done.
Touching Finish the Job returns the printer to the copy screen.

Copying photos

- 1 Place a photo facedown on the scanner glass (flatbed) in the upper left corner.
- 2 On the home screen, touch **Copy**.
- 3 Touch **Options**.
- 4 Touch **Content**.
- 5 Touch **Photograph**.
- 6 Touch **Copy It**.
- 7 Touch **Scan Next** or **Done**.

Copying on specialty media

Making transparencies

- 1 Load an original document faceup, short-edge first into the ADF or facedown on the scanner glass.
Note: Do not load postcards, photos, small items, transparencies, photo paper, or thin media (such as magazine clippings) into the ADF. Place these items on the scanner glass.
- 2 If you are loading a document into the ADF, adjust the paper guides.
- 3 On the home screen, touch **Copy**.
- 4 Touch **Copy from**, and then identify the size of the original document.
- 5 Touch **Copy to**, and then touch the tray that contains transparencies, or touch **Multipurpose Feeder** and place transparencies in the multipurpose feeder.
- 6 Touch **Copy It**.

Copying to letterhead

- 1 Load an original document faceup, short edge first into the ADF or facedown on the scanner glass.
Note: Do not load postcards, photos, small items, transparencies, photo paper, or thin media (such as magazine clippings) into the ADF. Place these items on the scanner glass.
- 2 If you are loading a document into the ADF, adjust the paper guides.

- 3 On the home screen, touch **Copy**.
- 4 Touch **Copy from**, and then identify the size of the original document.
- 5 Touch **Copy to**, and then touch the tray that contains letterhead.

Note: If you do not see Letterhead as an option, load letterhead in the multipurpose feeder, and then touch Multipurpose Feeder.

- 6 Touch **Copy It**.

Customizing copy settings

Copying from one size to another

- 1 Load an original document faceup, short-edge first into the ADF or facedown on the scanner glass.

Note: Do not load postcards, photos, small items, transparencies, photo paper, or thin media (such as magazine clippings) into the ADF. Place these items on the scanner glass.

- 2 If you are loading a document into the ADF, adjust the paper guides.
- 3 On the home screen, touch **Copy**.
- 4 Touch **Copy from**, and then identify the size of the original document.
- 5 Touch **Copy to**, and then select the size you want the copy to be.

Note: If you select a paper size that is different from the “Copy from” size, the printer will scale the size automatically.

- 6 Touch **Copy It**.

Making copies using paper from a selected tray

During the copy process, you can select the tray that contains the paper type of choice. For example, if specialty media is located in the multipurpose feeder, and you want to make copies on that media:

- 1 Load an original document faceup, short-edge first into the ADF or facedown on the scanner glass.

Note: Do not load postcards, photos, small items, transparencies, photo paper, or thin media (such as magazine clippings) into the ADF. Place these items on the scanner glass.

- 2 If you are loading a document into the ADF, adjust the paper guides.
- 3 On the home screen, touch **Copy**.
- 4 Touch **Copy from**, and then identify the size of the original document.
- 5 Touch **Copy to**, and then touch Manual Feeder or the tray that contains the paper type you want.
- 6 Touch **Copy It**.

Copying a document that contains mixed paper sizes

Use the ADF to copy an original document that contains mixed paper sizes. Depending on the paper sizes loaded and the “Copy to” and “Copy from” settings, each copy is either printed on mixed paper sizes (Example 1) or scaled to fit a single paper size (Example 2).

Example 1: Copying to mixed paper sizes

The printer has two paper trays, one tray loaded with letter-size paper and the other with legal-size paper. A document that contains letter- and legal-size pages needs to be copied.

- 1 Load an original document faceup, short-edge first into the ADF or facedown on the scanner glass.

Note: Do not load postcards, photos, small items, transparencies, photo paper, or thin media (such as magazine clippings) into the ADF. Place these items on the scanner glass.

- 2 If you are loading a document into the ADF, adjust the paper guides.
- 3 On the home screen, touch **Copy**.
- 4 Touch **Copy from**, and then touch **Mixed Sizes**.
- 5 Touch **Copy to**, and then touch **Auto Size Match**.
- 6 Touch **Copy It**.

The scanner identifies the mixed paper sizes as they scan. Copies are printed on mixed paper sizes corresponding to the paper sizes of the original document.

Example 2: Copying to a single paper size

The printer has one paper tray, loaded with letter-size paper. A document that contains letter- and legal-size pages needs to be copied.

- 1 Load an original document faceup, short-edge first into the ADF or facedown on the scanner glass.

Note: Do not load postcards, photos, small items, transparencies, photo paper, or thin media (such as magazine clippings) into the ADF. Place these items on the scanner glass.

- 2 If you are loading a document into the ADF, adjust the paper guides.
- 3 On the home screen, touch **Copy**.
- 4 Touch **Copy from**, and then touch **Mixed Letter/Legal**.
- 5 Touch **Copy to**, and then touch **Letter**.
- 6 Touch **Copy It**.

The scanner identifies the mixed paper sizes as they scan and then scales the legal-size pages to print on letter-size paper.

Copying on both sides of the paper (duplexing)

- 1 Load an original document faceup, short edge first into the ADF or facedown on the scanner glass.

Note: Do not load postcards, photos, small items, transparencies, photo paper, or thin media (such as magazine clippings) into the ADF. Place these items on the scanner glass.

- 2 If you are loading a document into the ADF, adjust the paper guides.
- 3 On the home screen, touch **Copy**.

- 4 From the Sides (Duplex) area, touch the button that looks the way you want your copies duplexed.

The first number represents sides of the original documents; the second number represents sides of the copy. For example, select 1-sided to 2-sided if you have 1-sided original documents and you want 2-sided copies.

- 5 Touch **Copy It**.

Reducing or enlarging copies

Copies can be reduced to 25% of the original document size or enlarged to 400% of the original document size. The factory default setting for Scale is Auto. If you leave Scale set to Auto, the content of your original document will be scaled to fit the size of the paper onto which you are copying.

To reduce or enlarge a copy:

- 1 Load an original document faceup, short-edge first into the ADF or facedown on the scanner glass.

Note: Do not load postcards, photos, small items, transparencies, photo paper, or thin media (such as magazine clippings) into the ADF. Place these items on the scanner glass.

- 2 If you are loading a document into the ADF, adjust the paper guides.

- 3 On the home screen, touch **Copy**.

- 4 From the Scale area, touch  or  to enlarge or reduce your output.

Touching “Copy to” or “Copy from” after setting Scale manually changes the scale value back to Auto.

- 5 Touch **Copy It**.

Adjusting copy quality

- 1 Load an original document faceup, short-edge first into the ADF or facedown on the scanner glass.

Note: Do not load postcards, photos, small items, transparencies, photo paper, or thin media (such as magazine clippings) into the ADF. Place these items on the scanner glass.

- 2 If you are loading a document into the ADF, adjust the paper guides.

- 3 On the home screen, touch **Copy**.

- 4 Touch **Options**.

- 5 Touch **Content**.

- 6 Touch the button that best represents what you are copying:

- **Text**—Used for original documents that are mostly text or line art
- **Text/Photo**—Used when the original documents are a mixture of text and graphics or pictures
- **Photograph**—Used when the original document is a high-quality photograph or inkjet print
- **Printed Image**—Used when copying halftone photographs, graphics such as documents printed on a laser printer, or pages from a magazine or newspaper that are composed primarily of images

- 7 Touch **Copy It**.

Collating copies

If you print multiple copies of a document, you can choose to print each copy as a set (collated) or to print the copies as groups of pages (not collated).

Collated



Not collated



By default, Collate is set to On. If you do not want to collate your copies, change the setting to Off.

To turn collation off:

- 1 Load an original document faceup, short-edge first into the ADF or facedown on the scanner glass.
Note: Do not load postcards, photos, small items, transparencies, photo paper, or thin media (such as magazine clippings) into the ADF. Place these items on the scanner glass.
- 2 If you are loading a document into the ADF, adjust the paper guides.
- 3 On the home screen, touch **Copy**.
- 4 Use the keypad to enter the number of copies.
- 5 Touch **Off** if you do not want your copies collated.
- 6 Touch **Copy It**.

Placing separator sheets between copies

- 1 Load an original document faceup, short-edge first into the ADF or facedown on the scanner glass.
Note: Do not load postcards, photos, small items, transparencies, photo paper, or thin media (such as magazine clippings) into the ADF. Place these items on the scanner glass.
- 2 If you are loading a document into the ADF, adjust the paper guides.
- 3 On the home screen, touch **Copy**.
- 4 Touch **Options**.
- 5 Touch **Separator Sheets**.
Note: Collation must be On for the separator sheets to be placed between copies. If Collation is Off, the separator sheets are added to the end of the print job.
- 6 Select one of the following:
 - Between pages
 - Between copies
 - Between jobs
- 7 Touch **Done**.
- 8 Touch **Copy It**.

Copying multiple pages onto a single sheet

In order to save paper, you can copy either two or four consecutive pages of a multiple-page document onto a single sheet of paper.

Notes:

- The Paper Size must be set to Letter, Legal, A4, or B5 JIS.
- The Copy Size must be set to 100%.

1 Load an original document faceup and short edge first into the ADF or facedown on the scanner glass.

Note: Do not load postcards, photos, small items, transparencies, photo paper, or thin media (such as magazine clippings) into the ADF. Place these items on the scanner glass.

2 If you are loading a document into the ADF, adjust the paper guides.

3 On the home screen, touch **Copy**.

4 Select a duplex setting.

5 Touch **Options**.

6 Touch **Paper Saver**.

7 Select the output you want.

For example, if you have four portrait-oriented original documents that you want copied to the same side of one sheet, touch **4 on 1 Portrait**.

8 Touch **Print Page Borders** if you want a box drawn around each page of the copies.

9 Touch **Done**.

10 Touch **Copy It**.

Creating a custom job (job build)

The custom job or job build is used to combine one or more sets of original documents into a single copy job. Each set may be scanned using different job parameters. When a copy job is submitted and Custom Job is enabled, the scanner scans the first set of original documents using the supplied parameters, and then it scans the next set with the same or different parameters.

The definition of a set depends on the scan source:

- If you scan a document on the scanner glass, a set consists of one page.
- If you scan multiple pages using the ADF, a set consists of all scanned pages until the ADF becomes empty.
- If you scan one page using the ADF, a set consists of one page.

For example:

1 Load an original document in the ADF faceup, short edge first.

2 Adjust the paper guides.

3 On the home screen, touch **Copy**.

4 Touch **Options**.

5 Touch **Custom Job**.

6 Touch **On**.

7 Touch **Done**.

8 Touch **Copy It**.

When the end of a set is reached, the scan screen appears.

- 9 Load the next document faceup, short-edge first into the ADF or facedown on the scanner glass, and then touch **Scan the Automatic Document Feeder** or **Scan the flatbed**.

Note: If required, change the job settings.

- 10 If you have another document to scan, load the next document faceup, short-edge first into the ADF or facedown on the scanner glass, and then touch **Scan the Automatic Document Feeder** or **Scan the flatbed**. Otherwise, touch **Finish the job**.

Job interrupt


Job interrupt pauses the current print job and lets you print copies.

Note: The Job Interrupt setting must be On for this feature to function.

- 1 Load an original document faceup, short edge first into the ADF or facedown on the scanner glass.

Note: Do not load postcards, photos, small items, transparencies, photo paper, or thin media (such as magazine clippings) into the ADF. Place these items on the scanner glass.

- 2 If you are loading a document into the ADF, adjust the paper guides.

- 3 From the control panel, press .

Note: If an LDSS profile has been installed, you may receive an error when attempting a quick copy. Contact your system support person for access.

- 4 If you placed the document on the scanner glass, touch **Finish the Job** if you are done.

Placing information on copies

Placing the date and time at the top of each page

- 1 Load an original document faceup, short-edge first into the ADF or facedown on the scanner glass.

Note: Do not load postcards, photos, small items, transparencies, photo paper, or thin media (such as magazine clippings) into the ADF. Place these items on the scanner glass.

- 2 If you are loading a document into the ADF, adjust the paper guides.

- 3 On the home screen, touch **Copy**.

- 4 Touch **Options**.

- 5 Touch **Date/Time Stamp**.

- 6 Touch **On**.

- 7 Touch **Done**.

- 8 Touch **Copy It**.

Placing an overlay message on each page

An overlay message can be placed on each page. The message choices are Urgent, Confidential, Copy, or Draft. To place a message on the copies:

- 1 Load an original document faceup, short-edge first into the ADF or facedown on the scanner glass.
Note: Do not load postcards, photos, small items, transparencies, photo paper, or thin media (such as magazine clippings) into the ADF. Place these items on the scanner glass.
- 2 If you are loading a document into the ADF, adjust the paper guides.
- 3 On the home screen, touch **Copy**.
- 4 Touch **Options**.
- 5 Touch **Overlay**.
- 6 Touch the button containing the overlay you want to use.
- 7 Touch **Done**.
- 8 Touch **Copy It**.

Canceling a copy job

Canceling a copy job while the document is in the ADF

When the ADF begins processing a document, the scanning screen appears. To cancel the copy job, touch **Cancel Job** on the touch screen.


A “Canceling scan job” screen appears. The ADF clears all pages in the ADF and cancels the job.

Canceling a copy job while copying pages using the scanner glass

Touch **Cancel Job** on the touch screen.

A “Canceling scan job” screen appears. Once the job is canceled, the copy screen appears.

Canceling a copy job while the pages are being printed

- 1 Touch **Cancel Job** on the touch screen, or press  on the keypad.
- 2 Touch the job you want to cancel.
- 3 Touch **Delete Selected Jobs**.

The remaining print job is canceled. The home screen appears.

Understanding the copy screens and options

Copy from

This option opens a screen where you can enter the size of the documents you are going to copy.

- Touch a paper size button to select it as the “Copy from” setting. The copy screen appears with your new setting displayed.
- When “Copy from” is set to Mixed Sizes, you can copy an original document that contains mixed paper sizes (letter-and legal-size pages).
- When “Copy from” is set to Auto Size Sense, the scanner automatically determines the size of the original document.



Copy to

This option opens a screen where you can enter the size and type of paper on which your copies will be printed.

- Touch a paper size button to select it as the “Copy to” setting. The copy screen appears with your new setting displayed.
- If the size settings for “Copy from” and “Copy to” are different, the printer automatically adjusts the Scale setting to accommodate the difference.
- If the type or size of paper that you want to copy onto is not loaded in one of the trays, touch **Manual Feeder**, and manually send the paper through the multipurpose feeder.
- When “Copy to” is set to Auto Size Match, each copy matches the size of the original document. If a matching paper size is not in one of the trays, the printer scales each copy to fit loaded paper.

Scale

This option creates an image from your copy that is proportionally scaled anywhere between 25% and 400%. Scale can also be set for you automatically.

- When you want to copy from one size of paper to another, such as from legal-size to letter-size paper, setting the “Copy from” and “Copy to” paper sizes automatically changes the scale to keep all the original document information on your copy.
- Touch  to decrease the value by 1%; touch  to increase the value by 1%.
- Hold your finger on an arrow to make a continuous increment.
- Hold your finger on an arrow for two seconds to cause the pace of the change to accelerate.

Darkness

This option adjusts how light or dark your copies will turn out in relation to the original document.

Color

Touching the Color button tells the printer to copy the original document in color.

Photo

Touching the Photo button tells the printer to pay extra attention to shading or tones.

Note: To copy a color image, make sure the color button is also selected.

Sides (Duplex)

Use this option to select duplex settings. You can print copies on one or two sides, make two-sided copies (duplex) of two-sided original documents, make two-sided copies from one-sided original documents, or make one-sided copies (simplex) from two-sided original documents.

Note: For two-sided output, you must have a duplex unit attached to the printer.

Collate

This option keeps the pages of a print job stacked in sequence when printing multiple copies of the document. The factory default setting for Collate is on; the output pages of your copies will be ordered (1,2,3) (1,2,3) (1,2,3). If you want all the copies of each page to remain together, turn Collate off, and your copies will be ordered (1,1,1) (2,2,2) (3,3,3).

Options

Touching the Options button opens a screen where you can change Paper Saver, Advanced Imaging, Separator Sheets, Margin Shift, Edge Erase, Date/Time Stamp, Overlay, Content, and Advanced Duplex settings.

Paper Saver

This option lets you print two or more sheets of an original document together on the same page. Paper Saver is also called N-up printing. The N stands for Number. For example, 2-up would print two pages of your document on a single page, and 4-up would print four pages of your document on a single page. Touching Print Page Borders adds or removes the outline border surrounding the original document pages on the output page.

Create Booklet

This option creates a sequence of collated output that, when folded or folded and stapled, forms a booklet half the page size of the original document and with all the pages in order.

Note: To use Create Booklet, you must have a duplex unit attached to the printer.

Advanced Imaging

This option lets you adjust Background Removal, Contrast, Shadow Detail, Scan Edge to Edge, Color Balance, and mirror image before you copy the document.

Custom Job (Job Build)

This option combines multiple scanning jobs into a single job.

Separator Sheets

This option places a blank piece of paper between copies, pages, and print jobs. The separator sheets can be drawn from a tray that contains a type or color of paper that is different from the paper your copies are printed on.

Margin Shift

This option increases the size of the margin a specified distance. This can be useful in providing space to bind or hole-punch copies. Use the increase or decrease arrows to set how much of a margin you want. If the additional margin is too large, the copy will be cropped.

Edge Erase

This option eliminates smudges or information around the edges of your document. You can choose to eliminate an equal area around all four sides of the paper, or pick a particular edge. Edge Erase erases whatever is within the selected area, leaving nothing printed on that portion of the paper.

Date/Time Stamp

This option turns the Date/Time Stamp on and prints the date and time at the top of every page.

Overlay

This option creates a watermark (or message) that overlays the content of your copy. You can choose between Urgent, Confidential, Copy, and Draft. The word you pick will appear, faintly, in large print across each page.

Note: A custom overlay can be created by your system support person. When a custom overlay is created, a button with an icon of that overlay will be available.

Content

This option enhances copy quality. Choose from Text, Text/Photo, Photograph, or Printed Image.

- **Text**—Use this setting when copying original documents that are mostly text or line art.
- **Text/Photo**—Use this setting when copying original documents that are a mixture of text and graphics or pictures.
- **Photograph**—Use this setting when copying an original document that is a high-quality photograph or inkjet print.
- **Printed Image**—Use this setting when copying halftone photographs, documents printed on a laser printer, or pages from a magazine or newspaper.

- **Color**—Use this setting to copy the original document in color.
- **Gray**—Use this setting to copy the original document in grayscale.

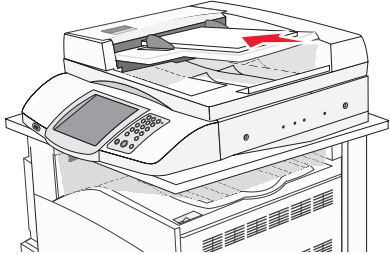
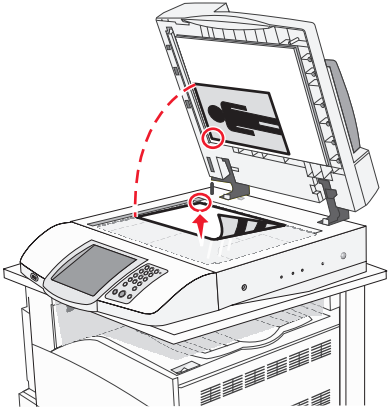
Advanced Duplex

This option controls whether the documents are one-sided or two-sided, what orientation your original documents have, and how your documents are bound.

Improving copy quality

Question	Tip
When should I use Text mode?	<ul style="list-style-type: none"> • Use text mode when text preservation is the main goal of the copy, and preserving images copied from the original document is not a concern. • Text mode is recommended for receipts, carbon copy forms, and documents that contain only text or fine line art.
When should I use Text/Photo mode?	<ul style="list-style-type: none"> • Use Text/Photo mode when copying an original document that contains a mixture of text and graphics. • Text/Photo mode is recommended for magazine articles, business graphics, and brochures.
When should I use Printed Image mode?	Use Printed Image mode when copying halftone photographs, graphics such as documents printed on a laser printer, or pages from a magazine or newspaper
When should I use Photograph mode?	Use Photograph mode when the original document is a high-quality photograph or inkjet print.

E-mailing

ADF	Scanner glass
 <p data-bbox="151 611 654 642">Use the ADF for multiple-page documents.</p>	 <p data-bbox="670 764 1430 856">Use the scanner glass for single pages, small items (such as postcards or photos), transparencies, photo paper, or thin media (such as magazine clippings).</p>

You can use the printer to e-mail scanned documents to one or more recipients. There are four ways to send and e-mail from the printer. You can type the e-mail address, use a shortcut number, use the address book, or use a profile.

Getting ready to e-mail

Setting up the e-mail function

For e-mail to operate, it must be turned on in the printer configuration and have a valid IP address or gateway address. To set up the e-mail function:

- 1 Open a Web browser.
- 2 In the address bar, type the IP address of the printer and, then press **Enter**.
- 3 Click **Configuration**.
- 4 Click **E-mail/FTP Settings**.
- 5 Click **E-mail Server Setup**.
- 6 Fill in the fields with the appropriate information.
- 7 Click **Submit**.

Setting up the address book

- 1 Open a Web browser.
- 2 In the address bar, type the IP address of the printer, and then press **Enter**.
- 3 Click **Configuration**.
- 4 Click **E-mail/FTP Settings**.

- 5 Click **Manage E-mail Shortcuts**.
- 6 Fill in the fields with the appropriate information.
- 7 Click **Submit**.

Creating an e-mail shortcut

Creating an e-mail shortcut using the Embedded Web Server

- 1 Open a Web browser.
- 2 In the address bar, type the IP address of the printer, and then press **Enter**.
- 3 Click **Configuration**.
- 4 Click **Manage Destinations**.
Note: You may be asked to enter a password. If you do not have an ID and password, get one from your system support person.
- 5 Click **E-mail Destination Setup**.
- 6 Type a unique name for the recipient, and then enter the e-mail address.
Note: If you are entering multiple addresses, separate each address with a comma (,).
- 7 Select the scan settings (Format, Content, Color, and Resolution).
- 8 Enter a shortcut number, and then click **Add**.
If you enter a number that is already in use, you are prompted to select another number.

Creating an e-mail shortcut using the touch screen

- 1 On the home screen, touch **E-mail**.
- 2 Type the recipient's e-mail address.
To create a group of recipients, touch **Next address**, and then type the next recipient's e-mail address.
- 3 Touch **Save as Shortcut**.
- 4 Type a unique name for the shortcut.
- 5 Verify the shortcut name and number are correct, and then touch **OK**.
If the name or number is incorrect, touch **Cancel**, and then reenter the information.

E-mailing a document

Sending an e-mail using the keypad

- 1 Load an original document faceup, short edge first into the ADF or facedown on the scanner glass.
Note: Do not load postcards, photos, small items, transparencies, photo paper, or thin media (such as magazine clippings) into the ADF. Place these items on the scanner glass.
- 2 If you are loading a document into the ADF, adjust the paper guides.
- 3 On the home screen, touch **E-mail**.

- 4 Enter the e-mail address or shortcut number.

To enter additional recipients, press **Next Address**, and then enter the address or shortcut number you want to add.

- 5 Touch **E-mail It**.

Sending an e-mail using a shortcut number

For information on creating shortcuts, see the section in this chapter on creating shortcuts.

- 1 Load an original document faceup, short edge first into the ADF or facedown on the scanner glass.

Note: Do not load postcards, photos, small items, transparencies, photo paper, or thin media (such as magazine clippings) into the ADF. Place these items on the scanner glass.

- 2 If you are loading a document into the ADF, adjust the paper guides.

- 3 Press #, and then enter the recipient's shortcut number.

To enter additional recipients, press **Next address**, and then enter the address or shortcut number you want to add.

- 4 Touch **E-mail It**.

Sending an e-mail using the address book

- 1 Load an original document faceup, short edge first into the ADF or facedown on the scanner glass.

Note: Do not load postcards, photos, small items, transparencies, photo paper, or thin media (such as magazine clippings) into the ADF. Place these items on the scanner glass.

- 2 If you are loading a document into the ADF, adjust the paper guides.

- 3 On the home screen, touch **E-mail**.

- 4 Touch **Search Address Book**.

- 5 Enter the name or part of the name you are searching for, and then touch **Search**.

- 6 Touch the name that you want to add to the To: box.

To enter additional recipients, press **Next address**, and then enter the address or shortcut number you want to add; or search the address book.

- 7 Touch **E-mail It**.

E-mailing color documents

- 1 Load an original document faceup, short edge first into the ADF or facedown on the scanner glass.

Note: Do not load postcards, photos, small items, transparencies, photo paper, or thin media (such as magazine clippings) into the ADF. Place these items on the scanner glass.

- 2 If you are loading a document into the ADF, adjust the paper guides.

- 3 On the home screen, touch **E-mail**.

- 4 Type an e-mail address.

- 5 Touch **Options**.

- 6 Touch **Color**.
- 7 Touch **E-mail It**.

Using profiles

Creating an e-mail profile

- 1 Open a Web browser.
- 2 In the address bar, type the IP address of the printer, and then press **Enter**.
- 3 Click **Configuration**.
- 4 Click **E-mail/FTP Settings**.
- 5 Click **Manage E-mail Shortcuts**.
- 6 Fill in the fields with the appropriate information.
- 7 Click **Add**.

E-mailing to a profile

- 1 Load an original document faceup, short edge first into the ADF or facedown on the scanner glass.
Note: Do not load postcards, photos, small items, transparencies, photo paper, or thin media (such as magazine clippings) into the ADF. Place these items on the scanner glass.
- 2 If you are loading a document into the ADF, adjust the paper guides.
- 3 On the home screen, touch **Held Jobs**.
- 4 Touch **Profiles**.
- 5 Select an e-mail destination from the profile list.
- 6 Touch **E-mail It**.

Customizing e-mail settings

Adding e-mail subject and message information

- 1 Load an original document faceup, short edge first into the ADF or facedown on the scanner glass.
Note: Do not load postcards, photos, small items, transparencies, photo paper, or thin media (such as magazine clippings) into the ADF. Place these items on the scanner glass.
- 2 If you are loading a document into the ADF, adjust the paper guides.
- 3 On the home screen, touch **E-mail**.
- 4 Type an e-mail address.
- 5 Touch **Options**.
- 6 Touch **Subject**.
- 7 Type the e-mail subject.
- 8 Touch **Done**.

- 9 Touch **Message**.
- 10 Type an e-mail message.
- 11 Touch **Done**.
- 12 Touch **E-mail It**.

Changing the output file type

- 1 Load an original document faceup, short edge first into the ADF or facedown on the scanner glass.
Note: Do not load postcards, photos, small items, transparencies, photo paper, or thin media (such as magazine clippings) into the ADF. Place these items on the scanner glass.
- 2 If you are loading a document into the ADF, adjust the paper guides.
- 3 On the home screen, touch **E-mail**.
- 4 Type an e-mail address.
- 5 Touch **Options**.
- 6 Touch the button that represents the file type you want to send.
 - **PDF**—Creates a single file with multiple pages, viewable with Adobe Reader. Adobe Reader is provided free by Adobe at www.adobe.com.
 - **Encrypted PDF**—Creates an encrypted PDF file that protects the files contents from unauthorized access.
 - **TIFF**—Creates multiple files or a single file. If Multi-page TIFF is turned off in the Configuration menu, then TIFF saves one page in each file. The file size is usually larger than an equivalent JPEG.
 - **JPEG**—Creates and attaches a separate file for each page of your original document, and is viewable by most Web browsers and graphics programs.
- 7 Touch **E-mail It**.
Note: If you selected Encrypted PDF, enter your password twice.

Canceling an e-mail

- When using the ADF, touch **Cancel** while **Scanning...** appears.
- When using the scanner glass (flatbed), touch **Cancel** while **Scanning...** appears or while **Scan the Next Page / Finish the Job** appears.

Understanding e-mail options

Original Size

This option opens a screen where you can choose the size of the documents you are going to e-mail.

- Touch a paper size button to select that size as the Original Size setting. The e-mail screen appears with your new setting displayed.
- When Original Size is set to Mixed Sizes, you can scan an original document that contains mixed paper sizes (letter- and legal-size pages).

Sides (Duplex)

This option informs the printer if the original document is simplex (printed on one side) or duplex (printed on both sides). This lets the scanner know what needs to be scanned for inclusion in the e-mail.

Orientation

This option tells the printer whether the original document is in portrait or landscape orientation and then changes the Sides and Binding settings to match the original document orientation.

Binding

Tells the printer whether the original document is bound on the long-edge or short-edge side.

E-mail Subject

This option lets you enter a subject line for your e-mail. You can enter up to 255 characters.

E-mail Message

This option lets you enter a message that will be sent with your scanned attachment.

Resolution

Adjusts the output quality of your e-mail. Increasing the image resolution increases the e-mail file size and the time needed to scan your original document. Image resolution can be decreased to reduce the e-mail file size.

Send As

This option sets the output (PDF, TIFF, or JPEG) for the scanned image.

- **PDF**—Output is a single file.
- **TIFF**—Output is a single file. If Multi-page TIFF is turned off in the Configuration menu, then the output is a series of one-page files.
- **JPEG**—Each page of the output is saved in a separate one-page file. When multiple pages are scanned, the output is a series of one-page files.
- **Encrypted PDF**—Creates an encrypted PDF file that protects the files contents from unauthorized access.

Content

This option tells the printer the original document type. Choose from Text, Text/Photo, or Photo. Color can be turned on or off with any of the Content choices. Content affects the quality and size of your e-mail.

- **Text**—Emphasizes sharp, black, high-resolution text against a clean, white background
- **Text/Photo**—Used when the original documents are a mixture of text and graphics or pictures
- **Photograph**—Tells the scanner to pay extra attention to graphics and pictures. This setting increases the time it takes to scan, but emphasizes a reproduction of the full dynamic range of tones in the original document. This increases the amount of information saved.
- **Color**—Sets the scan type and output for the e-mail. Color documents can be scanned and sent to an e-mail address.

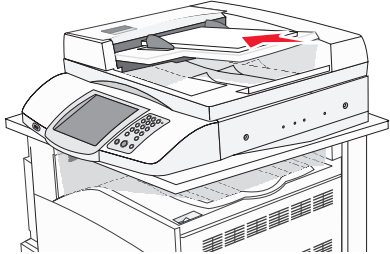
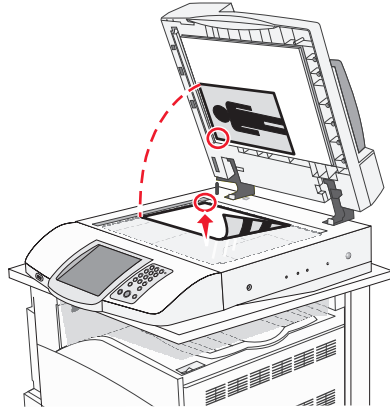
Advanced Options

Touching this button opens a screen where you change Advanced Imaging, Custom Job, Transmission Log, Scan Preview, Edge Erase, and Darkness settings.

- **Advanced Imaging**—Adjusts Background Removal, Contrast, Scan Edge to Edge, Shadow Detail, and Mirror Image before you copy the document
- **Custom Job (Job Build)**—Combines multiple scanning jobs into a single job
- **Transmission Log**—Prints the transmission log or transmission error log
- **Scan Preview**—Displays the first pages of the image before it is included in the e-mail. When the first page is scanned, the scanning is paused and a preview image appears.

- **Edge Erase**—Eliminates smudges or information around the edges of a document. You can choose to eliminate an equal area around all four sides of the paper, or pick a particular edge. Edge Erase will erase whatever is within the area selected, leaving nothing printed on that portion of the paper.
- **Darkness**—Adjusts how light or dark your scanned e-mails will turn out.

Faxing

ADF	Scanner glass
 <p>Use the ADF for multiple-page documents.</p>	 <p>Use the scanner glass for single pages, small items (such as postcards or photos), transparencies, photo paper, or thin media (such as magazine clippings).</p>

Getting the printer ready to fax

The following connection methods may not be applicable in all countries or regions.

⚡ CAUTION: Do not use the fax feature during a lightning storm. Do not set up this product or make any electrical or cabling connections, such as the power supply cord or telephone, during a lightning storm.

Choosing a fax connection

You can connect the printer with equipment such as a telephone, an answering machine, or a computer modem.

Note: The printer is an analog device that works best when directly connected to the wall jack. Other devices (such as a telephone or answering machine) can be successfully attached to pass through the printer, as described in the setup steps. If you want a digital connection such as ISDN, DSL, or ADSL, a third-party device (such as a DSL filter) is required.

You *do not* need to attach the printer to a computer, but you *do* need to connect it to a telephone line to send and receive faxes.

You can connect the printer to other equipment. See the following table to determine the best way to set up the printer.

Equipment	Benefits
<ul style="list-style-type: none"> The printer A telephone cord 	Send and receive faxes without using a computer.
<ul style="list-style-type: none"> The printer A telephone Two telephone cords 	<ul style="list-style-type: none"> Use the fax line as a normal telephone line. Send and receive faxes without using a computer.

Equipment	Benefits
<ul style="list-style-type: none"> • The printer • A telephone • An answering machine • Three telephone cords 	Receive both incoming voice messages and faxes.
<ul style="list-style-type: none"> • The printer • A telephone • A computer modem • Three telephone cords 	Send faxes using the computer or the printer.

Using an RJ11 adapter

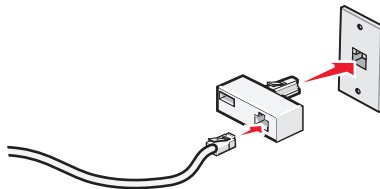
Country/region

- | | |
|---|--|
| <ul style="list-style-type: none"> • United Kingdom • Ireland • Finland • Norway • Denmark | <ul style="list-style-type: none"> • Italy • Sweden • Netherlands • France • Portugal |
|---|--|

To connect your printer to an answering machine, telephone, or other telecommunications equipment, use the telephone line adapter included in the box with the printer in some countries or regions.

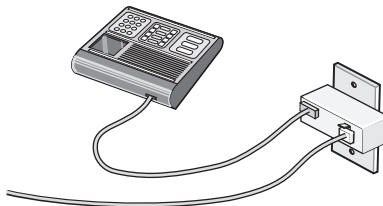
Note: If you have DSL, do not connect the printer using a splitter because the fax feature may not work correctly.

- 1 Connect the adapter to the telephone cord that came with the printer.



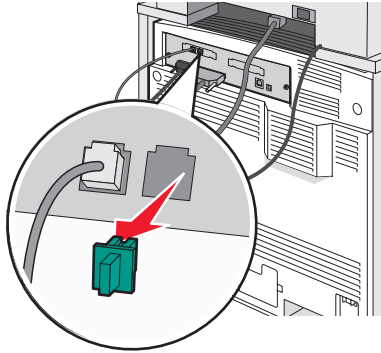
Note: The UK adapter is shown. Your adapter may look different, but it will fit the telephone outlet used in your location.

- 2 Connect the telephone line of your chosen telecommunications equipment to the left outlet of the adapter.

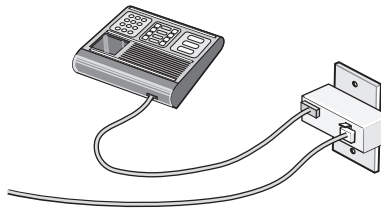


If your telecommunications equipment uses a US-style (RJ11) telephone line, follow these steps to connect the equipment:

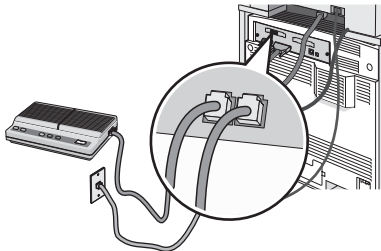
- 1 Remove the plug from the EXT port  on the back of the printer.



Note: Once this plug is removed, any country- or region-specific equipment you connect to the printer by way of the adapter, as shown, will not function properly.



- 2 Connect your telecommunications equipment directly to the EXT port  on the back of the printer.



Warning: Do not touch cables or the printer in the area shown while actively sending or receiving a fax.

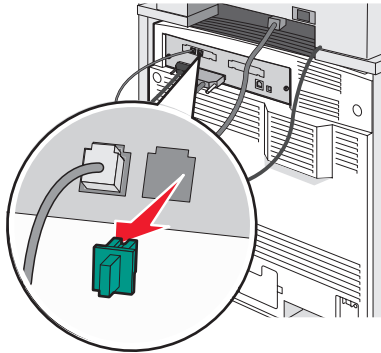


Country/region

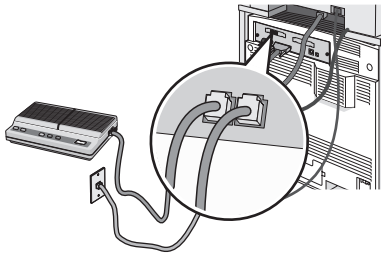
- Saudi Arabia
- United Arab Emirates
- Egypt
- Bulgaria
- Czech Republic
- Belgium
- Australia
- South Africa
- Greece
- Israel
- Hungary
- Poland
- Romania
- Russia
- Slovenia
- Spain
- Turkey

To connect a telephone, an answering machine, or other telecommunications equipment to the printer:

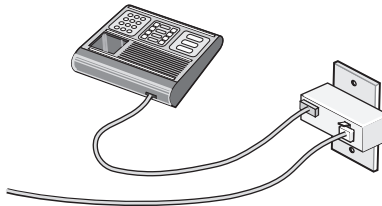
- 1 Remove the plug from the back of the printer.



- 2 Connect your telecommunications equipment directly to the EXT port  on the back of the printer.




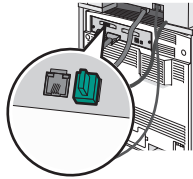
Note: Once this plug is removed, any country- or region-specific equipment that you connect to the printer by way of the adapter, as shown, will not function properly.



Country/region

- Germany
- Austria
- Switzerland

There is a plug installed in the EXT port  of the printer. This plug is necessary for the proper functioning of the printer.



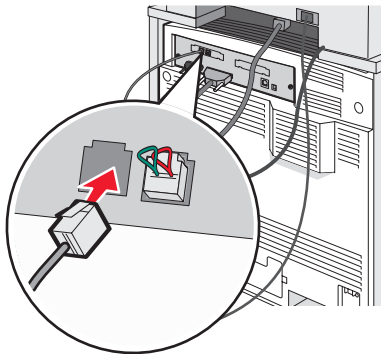
Note: Do not remove the plug. If you remove it, other telecommunications devices in your home (such as telephones or answering machines) may not work.

Connecting directly to a telephone wall jack in Germany

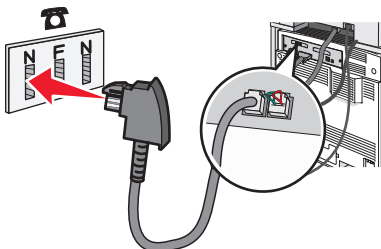
Connect the printer directly to a telephone wall jack to send and receive faxes without using a computer.

Note: In Germany (and some other countries), the printer ships with a special RJ-11 plug in the EXT port. Do not remove the RJ-11 plug. It is required for both the fax and telephone to work properly.

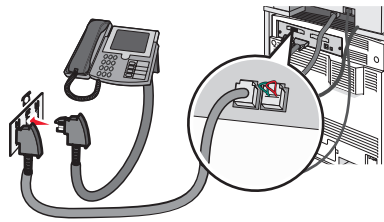
- 1 Make sure you have a telephone cord (provided with the product) and a telephone wall jack.
- 2 Connect one end of the telephone cord into the LINE port of the printer.



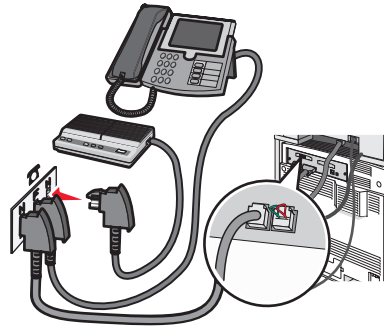
- 3 Connect the other end of the telephone cord into the N slot of an active telephone wall jack.



- 4 If you would like to use the same line for both fax and telephone communication, connect a second telephone line (not provided) between the telephone and the F slot of an active telephone wall jack.



- 5 If you would like to use the same line for recording messages on your answering machine, connect a second telephone line (not provided) between the answering machine and the other N slot of the telephone wall jack.



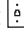
Connecting to a telephone

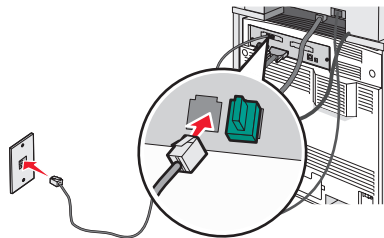
Connect a telephone to the printer to use the fax line as a normal telephone line. Then set up the printer wherever your telephone is located to make copies or to send and receive faxes without using a computer.


Note: Setup steps may vary depending on your country or region.

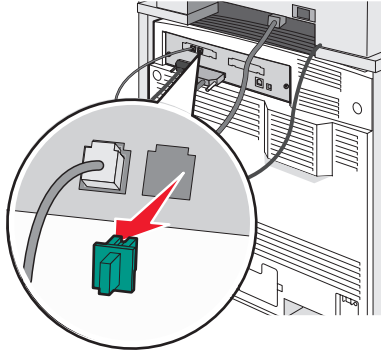
- 1 Make sure you have the following:


- A telephone
- Two telephone cords
- A telephone wall jack

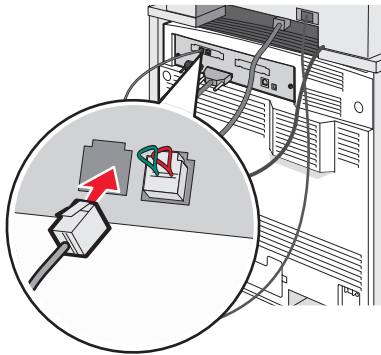
- 2 Connect one telephone cord to the LINE port  of the printer, and then plug it into an active telephone wall jack.



3 Remove the protective plug from the EXT port  of the printer.



4 Connect the other telephone cord to a telephone, and then plug it into the EXT port  of the printer.



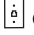
Connecting to an answering machine

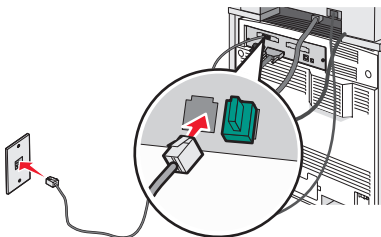
Connect an answering machine to the printer to receive both incoming voice messages and faxes.


Note: Setup steps may vary depending on your country or region.

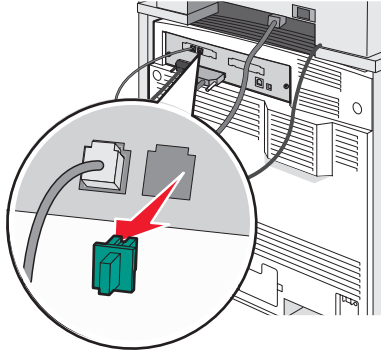
1 Make sure you have the following:

- A telephone
- An answering machine
- Three telephone cords
- A telephone wall jack

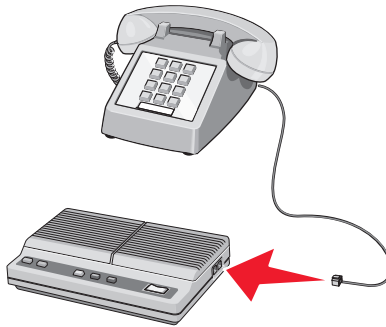
2 Connect one telephone cord into the LINE port  of the printer, and then plug it into an active telephone wall jack.




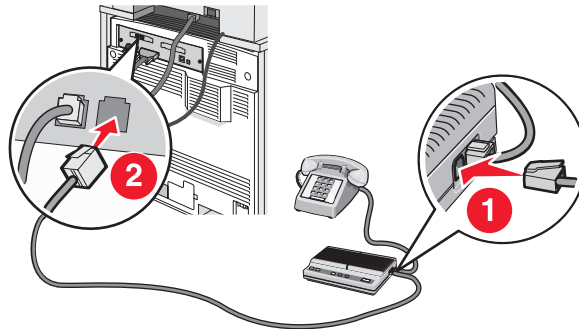
3 Remove the protective plug from the EXT port  of the printer.



4 Connect a second telephone cord from the telephone to the answering machine.



5 Connect a third telephone cord from the answering machine to the EXT port  of the printer.




Connecting to a computer with a modem

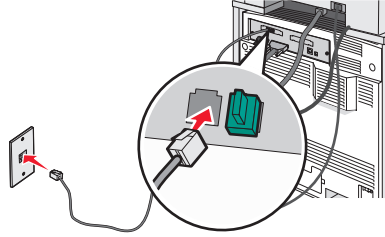
Connect the printer to a computer with a modem to send faxes from the software program.

Note: Setup steps may vary depending on your country or region.

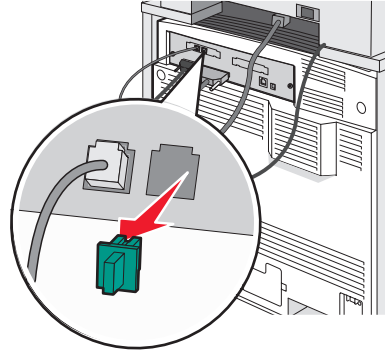
1 Make sure you have the following:

- A telephone
- A computer with a modem
- Three telephone cords
- A telephone wall jack

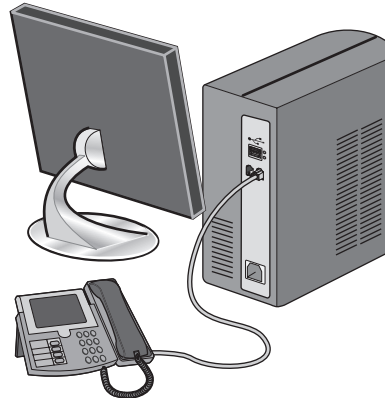
2 Connect a telephone cord into the LINE  port of the printer, and then plug it into an active telephone wall jack.



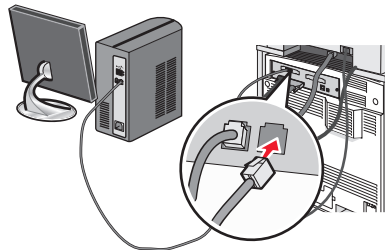
3 Remove the protective plug from the EXT port  of the printer.



4 Connect a second telephone cord from the telephone to the computer modem.



5 Connect a third telephone cord from the computer modem to the EXT port  of the printer.



Setting the outgoing fax name and number

To have the designated fax name and fax number printed on outgoing faxes:

- 1 Open a Web browser.
- 2 In the address bar, type the IP address of the printer, and then press **Enter**.
- 3 Click **Configuration**.
- 4 Click **Fax Settings**.
- 5 Click **Analog Fax Setup**.
- 6 Click inside the Station Name box, and then enter the name to be printed on all outgoing faxes.
- 7 Click inside the Station Number box, and then enter the printer fax number.
- 8 Click **Submit**.

Setting the date and time

You can set the date and time so that they are printed on every fax you send. If there is a power failure, you may have to reset the date and time. To set the date and time:

- 1 Open a Web browser.
- 2 In the address bar, type the IP address of the printer, and then press **Enter**.
- 3 Click **Configuration**.
- 4 Click **Set Date and Time**.
- 5 Click inside the Set Date & Time box, and then enter the current date and time.
- 6 Click **Submit**.

Turning daylight saving time on or off

The printer can be set to automatically adjust for daylight saving time:

- 1 Open a Web browser.
- 2 In the address bar, type the IP address of the printer, and then press **Enter**.
- 3 Click **Configuration**.
- 4 Click **Set Date and Time**.
- 5 In the Daylight Savings box, click on one of the following:
 - Yes** turns daylight saving on.
 - No** turns daylight saving off.
- 6 Click **Submit**.

Sending a fax

Sending a fax using the control panel

- 1 Load an original document faceup, short-edge first into the ADF or facedown on the scanner glass.

Note: Do not load postcards, photos, small items, transparencies, photo paper, or thin media (such as magazine clippings) into the ADF. Place these items on the scanner glass.

- 2 If you are loading a document into the ADF, adjust the paper guides.

- 3 On the home screen, touch **Fax**.

- 4 Enter the fax number or a shortcut using the touch screen or keypad.

To add recipients, touch **Next Number**, and then type the recipient's telephone number or shortcut number, or search the address book.

Note: To place a dial pause within a fax number, press . The dial pause appears as a comma in the Fax to: box. Use this feature if you need to dial an outside line first.

- 5 Touch **Fax It**.

Sending a fax using the computer

Faxing from a computer lets you send electronic documents without leaving your desk. This gives you the flexibility of faxing documents directly from software programs.

- 1 From your software program, click **File → Print**.

- 2 From the Print window, select your printer, and then click **Properties**.

Note: In order to perform this function from your computer, you must use the PostScript printer driver for your printer.

- 3 Choose the **Other Options** tab, and then click **Fax**.

- 4 Click **OK**, and then click **OK** again.

- 5 On the Fax screen, type the name and number of the fax recipient.

- 6 Click **Send**.

Creating shortcuts

Creating a fax destination shortcut using the Embedded Web Server

Instead of entering the entire phone number of a fax recipient on the control panel each time you want to send a fax, you can create a permanent fax destination and assign a shortcut number. A shortcut can be created to a single fax number or a group of fax numbers.

- 1 Open a Web browser.

- 2 In the address bar, type the IP address of the printer, and then press **Enter**.

- 3 Click **Configuration**.

- 4 Click **Manage Destinations**.

Note: A password may be required. If you do not have an ID and password, get one from your system support person.

5 Click **Fax Shortcut Setup**.

6 Type a unique name for the shortcut, and then enter the fax number.

To create a multiple-number shortcut, enter the fax numbers for the group.

Note: Separate each fax number in the group with a semicolon (;).

7 Assign a shortcut number.

If you enter a number that is already in use, you are prompted to select another number.

8 Click **Add**.

Creating a fax destination shortcut using the touch screen

1 Load an original document faceup, short-edge first into the ADF or facedown on the scanner glass.

Note: Do not load postcards, photos, small items, transparencies, photo paper, or thin media (such as magazine clippings) into the ADF. Place these items on the scanner glass.

2 If you are loading a document into the ADF, adjust the paper guides.

3 On the home screen, touch **Fax**.

4 Enter the fax number.

To create a group of fax numbers, touch **Next number**, and then enter the next fax number.

5 Touch **Save as Shortcut**.

6 Verify the shortcut name and number are correct, and then touch **OK**. If the name or number is incorrect, touch **Cancel**, and reenter the information.

If you enter a number that is already in use, you are prompted to select another number.

7 Touch **Fax It**.

Using shortcuts and the address book

Using fax destination shortcuts

Fax destination shortcuts are just like the speed dial numbers on a telephone or fax machine. You can assign shortcut numbers when creating permanent fax destinations. Permanent fax destinations or speed dial numbers are created in the Manage Destinations link located under the Configuration tab on the Embedded Web Server. A shortcut number (1–99999) can contain a single recipient or multiple recipients. By creating a group fax destination with a shortcut number, you can quickly and easily fax broadcast information to an entire group.

For information on creating shortcuts, see the section in this chapter on creating shortcuts.

1 Load an original document faceup, short edge first into the ADF or facedown on the scanner glass.

Note: Do not place postcards, photos, small items, transparencies, photo paper, or thin media (such as magazine clippings) into the ADF. Place these items on the scanner glass.

2 If you are loading a document into the ADF, adjust the paper guides.

3 Press #, and then type the shortcut number.

Using the address book

Note: If the address book feature is not enabled, contact your system support person.

- 1 Load an original document faceup, short-edge first into the ADF or facedown on the scanner glass.
Note: Do not load postcards, photos, small items, transparencies, photo paper, or thin media (such as magazine clippings) into the ADF. Place these items on the scanner glass.
- 2 If you are loading a document into the ADF, adjust the paper guides.
- 3 On the home screen, touch **Fax**.
- 4 Touch **Search Address Book**.
- 5 Using the virtual keyboard, type the name or part of the name of the person whose fax number you want to find. (Do not attempt to search for multiple names at the same time.)
- 6 Touch **Search**.
- 7 Touch the name to add it to the Fax to: list.
- 8 Repeat steps 4 through 7 to enter additional addresses.
- 9 Touch **Fax It**.

Customizing fax settings

Changing the fax resolution



Adjusting the resolution setting changes the quality of the fax. Settings range from Standard (fastest speed) to Ultra Fine (slowest speed, best quality).

- 1 Load an original document faceup, short edge first into the ADF or facedown on the scanner glass.
Note: Do not load postcards, photos, small items, transparencies, photo paper, or thin media (such as magazine clippings) into the ADF. Place these items on the scanner glass.
- 2 If you are loading a document into the ADF, adjust the paper guides.
- 3 On the home screen, touch **Fax**.
- 4 Use the keypad to enter the fax number.
- 5 Touch **Options**.
- 6 Touch the button that represents the resolution you want.
- 7 Touch **Fax It**.

Making a fax lighter or darker

- 1 Load an original document faceup, short edge first into the ADF or facedown on the scanner glass.
Note: Do not load postcards, photos, small items, transparencies, photo paper, or thin media (such as magazine clippings) into the ADF. Place these items on the scanner glass.
- 2 If you are loading a document into the ADF, adjust the paper guides.
- 3 On the home screen, touch **Fax**.
- 4 Use the keypad to enter the fax number.

5 Touch **Options**.

6 From the Darkness area, touch  to reduce the darkness of the fax, or touch  to increase the darkness of the fax.

7 Touch **Fax It**.

Sending a fax at a scheduled time

1 Load an original document faceup, short edge first into the ADF or facedown on the scanner glass.

Note: Do not load postcards, photos, small items, transparencies, photo paper, or thin media (such as magazine clippings) into the ADF. Place these items on the scanner glass.

2 If you are loading a document into the ADF, adjust the paper guides.

3 On the home screen, touch **Fax**.



4 Enter the fax number using the numbers on the touch screen or keypad.

5 Touch **Options**.

6 Touch **Advanced Options**.

7 Touch **Delayed Send**.

Note: If Fax Mode is set to Fax Server, the Delayed Send button will not appear. Faxes waiting for transmission are listed in the Fax Queue.

8 Touch  to reduce the time or  to increase the time the fax will be transmitted.

The time is increased or decreased in increments of 30 minutes. If the current time is shown, the left arrow is grayed out.

9 Touch **Done**.

10 Touch **Fax it**.

Note: The document will scanned and then faxed at the scheduled time.

Viewing a fax log

1 Open a Web browser.

2 In the address bar, type the IP address of the printer, and then press **Enter**.

3 Click **Reports**.

4 Click **Fax Settings**.

5 Click **Fax Job Log** or **Fax Call Log**.

Canceling an outgoing fax

Canceling a fax while the original documents are still scanning

- When using the ADF, touch **Cancel** while **Scanning...** appears.
- When using the scanner glass (flatbed), touch **Cancel** while **Scanning...** appears or while **Scan the Next Page / Finish the Job** appears.

Canceling a fax after the original documents have been scanned to memory

- 1 On the home screen, touch **Cancel Jobs**.

The Cancel Jobs screen appears.

- 2 Touch the job or jobs you want to cancel.

Only three jobs appear on the screen; touch the down arrow until the job you want appears, and then touch the job you want to cancel.

- 3 Touch **Delete Selected Jobs**.

The Deleting Selected Jobs screen appears, the selected jobs are deleted, and then the home screen appears.

Understanding fax options

Original Size

This option opens a screen where you can choose the size of the documents you are going to fax.

- Touch a paper size button to select that size as the Original Size setting. The fax screen appears with your new setting displayed.
- When Original Size is set to Mixed Sizes, you can scan an original document that contains mixed paper sizes (letter- and legal-size pages).

Content

This option tells the printer the original document type. Choose from Text, Text/Photo, or Photo. Content affects the quality and size of your scan.

- **Text**—Emphasizes sharp, black, high-resolution text against a clean, white background
- **Text/Photo**—Used when the original documents are a mixture of text and graphics or pictures
- **Photograph**—Tells the scanner to pay extra attention to graphics and pictures. This setting increases the time it takes to scan, but emphasizes a reproduction of the full dynamic range of tones in the original document. This increases the amount of information saved.

Sides (Duplex)

This option informs the printer if the original document is simplex (printed on one side) or duplex (printed on both sides). This lets the scanner know what needs to be scanned for inclusion in the fax.

Resolution

This options increases how closely the scanner examines the document you want to fax. If you are faxing a photo, a drawing with fine lines, or a document with very small text, increase the Resolution setting. This will increase the amount of time required for the scan and will increase the quality of the fax output.

- **Standard**—Suitable for most documents
- **Fine**—Recommended for documents with small print
- **Super fine**—Recommended for original documents with fine detail
- **Ultra fine**—Recommended for documents with pictures or photos

Darkness

This option adjusts how light or dark your faxes will turn out in relation to the original document.

Advanced Options

Touching this button opens a screen where you can change Delayed Send, Advanced Imaging, Custom Job, Transmission Log, Scan Preview, Edge Erase, and Advanced Duplex settings.

- **Delayed Send**—Lets you send a fax at a later time or date. After setting up your fax, touch **Delayed Send**, enter the time and date you would like to send your fax, and then touch **Done**. This setting can be especially useful in sending information to fax lines that are not readily available during certain hours, or when transmission times are cheaper.
Note: If the printer is turned off when the delayed fax is scheduled to be sent, the fax is sent the next time the printer is turned on.
- **Advanced Imaging**—Adjusts Background Removal, Contrast, Scan Edge to Edge, Shadow Detail, and Mirror Image before you fax the document
- **Custom Job (Job Build)**—Combines multiple scanning jobs into a single job
- **Transmission Log**—Prints the transmission log or transmission error log
- **Scan Preview**—Displays the image before it is included in the fax. When the first page is scanned, the scanning is paused, and a preview image appears.
- **Edge Erase**—Eliminates smudges or information around the edges of a document. You can choose to eliminate an equal area around all four sides of the paper, or pick a particular edge. Edge Erase will erase whatever is within the area selected, leaving nothing printed on that portion of the paper.
- **Advanced Duplex**—Controls how many sides and what orientation an original document has, and whether original documents are bound along the long edge or the short edge.

Improving fax quality

Question	Tip
When should I use Text mode?	<ul style="list-style-type: none">• Use Text mode when text preservation is the main goal of the fax, and preserving images copied from the original document is not a concern.• Text mode is recommended for faxing receipts, carbon copy forms, and documents that contain only text or fine line art.
When should I use Text/Photo mode?	<ul style="list-style-type: none">• Use Text/Photo mode when faxing an original document that contains a mixture of text and graphics.• Text/Photo mode is recommended for magazine articles, business graphics, and brochures.
When should I use Photo mode?	Use Photo mode when faxing photos printed on a laser printer or taken from a magazine or newspaper.

Holding and forwarding faxes

Holding faxes

This option lets you hold received faxes from printing until they are released. Held faxes can be released manually or at a scheduled day or time.

- 1 Open a Web browser.
- 2 In the address bar, type the IP address of the printer, and then press **Enter**.
- 3 Click **Configuration**.
- 4 Click **Fax Settings**.

- 5 Click **Analog Fax Setup**.
- 6 Click **Holding Faxes**.
- 7 Enter a password in the Print Faxes Password box.
- 8 In the Held Fax Mode box, click one of the following:
 - Off
 - Always On
 - Manual
 - Scheduled
- 9 If you selected Scheduled, continue with the following steps. Otherwise, go to step 10.
 - a Click **Fax Holding Schedule**.
 - b In the action box, click **Hold faxes**.
 - c In the time box, click the time you want the held faxes released.
 - d In the Day(s) box, click the day you want the held faxes released.
- 10 Click **Add**.

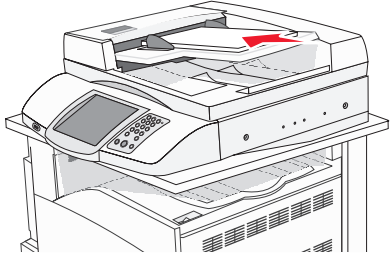
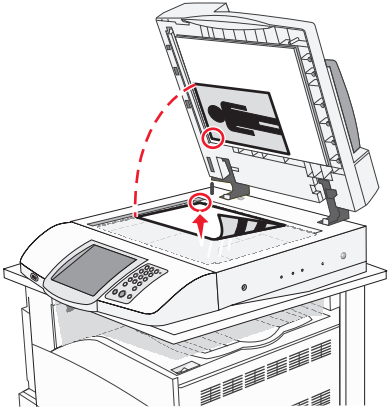
Forwarding a fax

This option lets you print and forward received faxes to a fax number, e-mail address, FTP site, or LDSS.

- 1 Open a Web browser.
- 2 In the address bar, type the IP address of the printer, and then press **Enter**.
- 3 Click **Configuration**.
- 4 Click **Fax Settings**.
- 5 Click **Analog Fax Setup**.
- 6 Click inside the **Fax Forwarding** box, and then select one of the following:
 - Print
 - Print and Forward
 - Forward
- 7 Click inside the **Forward to** box, and then select one of the following:
 - Fax
 - E-mail
 - FTP
 - LDSS
- 8 Click inside the **Forward to Shortcut** box, and then enter the shortcut number where you want the fax forwarded.

Note: The shortcut number must be a valid shortcut number for the setting that was selected in the “Forward to” box.
- 9 Click **Submit**.

Scanning to an FTP address

ADF	Scanner glass
 <p data-bbox="149 611 652 640">Use the ADF for multiple-page documents.</p>	 <p data-bbox="675 764 1430 856">Use the scanner glass for single pages, small items (such as postcards or photos), transparencies, photo paper, or thin media (such as magazine clippings).</p>

The scanner lets you scan documents directly to a *File Transfer Protocol (FTP)* server. Only one FTP address may be sent to the server at a time.

Once an FTP destination has been configured by your system support person, the name of the destination becomes available as a shortcut number, or it is listed as a profile under the Held Jobs icon. An FTP destination could also be another PostScript printer; for example, a color document can be scanned and then sent to a color printer. Sending a document to an FTP server is similar to sending a fax. The difference is that you are sending the information over your network instead of over the phone line.

Scanning to an FTP address

Scanning to an FTP address using the keypad

- 1 Load an original document faceup, short edge first into the ADF or facedown on the scanner glass.
Note: Do not load postcards, photos, small items, transparencies, photo paper, or thin media (such as magazine clippings) into the ADF. Place these items on the scanner glass.
- 2 If you are loading a document into the ADF, adjust the paper guides.
- 3 On the home screen, touch **FTP**.
- 4 Type the FTP address.
- 5 Touch **Send It**.

Scanning to an FTP address using a shortcut number

For information on creating shortcuts, see the section in this chapter on creating shortcuts.

- 1 Load an original document faceup, short edge first into the ADF or facedown on the scanner glass.

Note: Do not load postcards, photos, small items, transparencies, photo paper, or thin media (such as magazine clippings) into the ADF. Place these items on the scanner glass.

- 2 If you are loading a document into the ADF, adjust the paper guides.
- 3 Press #, and then enter the FTP shortcut number.
- 4 Touch **Send It**.

Scanning to an FTP address using the address book

- 1 Load an original document faceup, short edge first into the ADF or facedown on the scanner glass.

Note: Do not load postcards, photos, small items, transparencies, photo paper, or thin media (such as magazine clippings) into the ADF. Place these items on the scanner glass.

- 2 If you are loading a document into the ADF, adjust the paper guides.
- 3 On the home screen, touch **FTP**.
- 4 Touch **Search Address Book**.
- 5 Type the name or part of the name you are searching for, and then touch **Search**.
- 6 Touch the name that you want to add to the To: field.
- 7 Touch **Send It**.

Creating shortcuts

Instead of entering the entire FTP site address on the control panel each time you want to send a document to an FTP server, you can create a permanent FTP destination and assign a shortcut number. There are two methods for creating shortcut numbers: using a computer or using the printer touch screen.

Creating an FTP destination shortcut using the Embedded Web Server

- 1 Open a Web browser.
- 2 In the address bar, type the IP address of the printer, and then press **Enter**.
- 3 Click **Configuration**.
- 4 Click **Manage Destinations**.

Note: A password may be required. If you do not have an ID and password, get one from your system support person.

- 5 Click **FTP Shortcut Setup**.
- 6 Enter the appropriate information into the boxes.
- 7 Enter a shortcut number.

If you enter a number that is already in use, you are prompted to select another number.

- 8 Click **Add**.

Creating an FTP destination shortcut using the touch screen

- 1 On the home screen, touch **FTP**.
- 2 Type the address of the FTP site.
- 3 Touch **Save as Shortcut**.
- 4 Type a unique name for the shortcut.

Understanding FTP options

Original Size

This option opens a screen where you can choose the size of the documents you are going to copy.

- Touch a paper size button to select that size as the Original Size setting. The FTP screen appears with your new setting displayed.
- When Original Size is set to Mixed Sizes, you can scan an original document that contains mixed paper sizes (letter- and legal-size pages).

Sides (Duplex)

This option informs the printer if the original document is simplex (printed on one side) or duplex (printed on both sides). This lets the scanner know what needs to be scanned for inclusion in the document.

Binding

Tells the printer whether the original document is bound on the long-edge or short-edge side.

Resolution

This option adjusts the output quality of your file. Increasing the image resolution increases the file size and the time needed to scan your original document. Image resolution can be decreased to reduce the file size.

Send As

This option sets the output (PDF, TIFF, or JPEG) for the scanned image.

- **PDF**—Output is a single file.
- **TIFF**—Output is a single file. If Multi-page TIFF is turned off in the Configuration menu, then the output is a series of one-page files.
- **JPEG**—Each page of the output is saved in a separate one-page file. When multiple pages are scanned, the output is a series of one-page files.
- **Encrypted PDF**—Creates an encrypted PDF file that protects the files contents from unauthorized access.

Content

This option tells the printer the original document type. Choose from Text, Text/Photo, or Photo. Color can be turned on or off with any of the Content choices. Content affects the quality and size of your FTP file.

- **Text**—Emphasize sharp, black, high-resolution text against a clean, white background
- **Text/Photo**—Used when the original documents are a mixture of text and graphics or pictures
- **Photograph**—Tells the scanner to pay extra attention to graphics and pictures. This setting increases the time it takes to scan, but emphasizes a reproduction of the full dynamic range of tones in the original document. This increases the amount of information saved.
- **Color**—Sets the scan type and output for the FTP file. Color documents can be scanned and sent to an FTP site, computer, e-mail address, or the printer.

Advanced Options

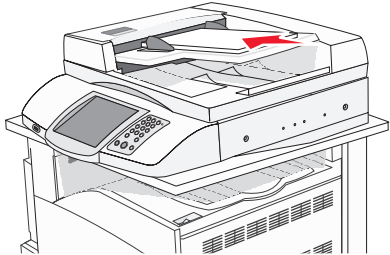
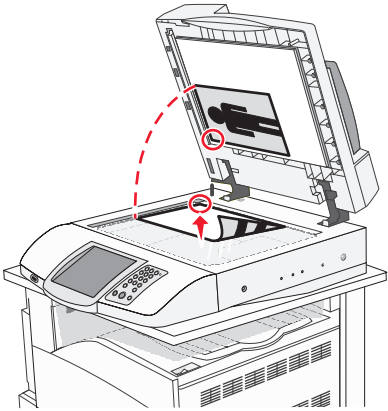
Touching this button opens a screen where you can change Advanced Imaging, Custom Job, Transmission Log, Scan Preview, Edge Erase, and Darkness settings.

- **Advanced Imaging**—Adjusts Background Removal, Contrast, Shadow Detail, and Mirror Image before you scan the document
- **Custom Job (Job Build)**—Combines multiple scanning jobs into a single job
- **Transmission Log**—Prints the transmission log or transmission error log
- **Scan Preview**—Displays the first pages of an image before it is included in the FTP file. When the first page is scanned, the scanning is paused and a preview image appears.
- **Edge Erase**—Eliminates smudges or information around the edges of a document. You can choose to eliminate an equal area around all four sides of the paper, or pick a particular edge. Edge Erase will erase whatever is within the area selected, leaving nothing printed on that portion of the paper.
- **Darkness**—Adjusts how light or dark your scanned documents will turn out

Improving FTP quality

Question	Tip
When should I use Text mode?	<ul style="list-style-type: none">• Use Text mode when text preservation is the main goal of sending a document to an FTP site, and preserving images copied from the original document is not a concern.• Text mode is recommended for receipts, carbon copy forms, and documents that only contain text or fine line art.
When should I use Text/Photo mode?	<ul style="list-style-type: none">• Use Text/Photo mode when sending a document to an FTP site that contains a mixture of text and graphics.• Text/Photo mode is recommended for magazine articles, business graphics, and brochures.
When should I use Photo mode?	Use Photo mode when the original document is composed mostly of photos printed on a laser printer or taken from a magazine or newspaper.

Scanning to a computer or USB flash memory device

ADF	Scanner glass
 <p data-bbox="151 680 654 709">Use the ADF for multiple-page documents.</p>	 <p data-bbox="670 835 1430 930">Use the scanner glass for single pages, small items (such as postcards or photos), transparencies, photo paper, or thin media (such as magazine clippings).</p>

The scanner lets you scan documents directly to a computer or a USB flash memory device. The computer does not have to be directly connected to the printer for you to receive Scan to PC images. You can scan the document back to the computer over the network by creating a scan profile on the computer and then downloading the profile to the printer.

Scanning to a computer

- 1 Open a Web browser.
- 2 In the address bar, type the IP address of the printer, and then press **Enter**.
- 3 If the Java applet screen appears, click **Yes**.
- 4 Click **Scan Profile**.
- 5 Click **Create Scan Profile**.
- 6 Select your scan settings, and then click **Next**.
- 7 Select a location on your computer where you want to save the scanned output file.
- 8 Enter a profile name.
The profile name is the name that appears in the Scan Profile list on the display.
- 9 Click **Submit**.
- 10 Review the instructions on the Scan to PC screen.

A shortcut number was automatically assigned when you clicked Submit. You can use this shortcut number when you are ready to scan your documents.

- a Load an original document faceup, short edge first into the ADF or facedown on the scanner glass.
Note: Do not load postcards, photos, small items, transparencies, photo paper, or thin media (such as magazine clippings) into the ADF. Place these items on the scanner glass.
- b If you are loading a document into the ADF, adjust the paper guides.
- c Press #, followed by the shortcut number on the keypad, or touch **Held Jobs** on the home screen, and then touch **Profiles**.
- d After you enter the shortcut number, the scanner scans and sends the document to the directory or program you specified. If you touched **Profiles** on the home screen, locate your shortcut on the list.

11 Return to the computer to view the file.

The output file is saved in the location you specified or launched in the program you specified.

Scanning to a USB flash memory device

- 1 Load an original document faceup, short edge first into the ADF or facedown on the scanner glass.
Note: Do not load postcards, photos, small items, transparencies, photo paper, or thin media (such as magazine clippings) into the ADF. Place these items on the scanner glass.
- 2 If you are loading a document into the ADF, adjust the paper guides.
- 3 Insert the USB flash memory device into the USB direct interface on the front of the printer.
The Held Jobs screen appears.
- 4 Touch **Scan to USB drive**.
- 5 Select the scan settings.
- 6 Touch **Scan It**.

Understanding scan to computer options

Quick Setup

This option lets you select preset formats or customize the scan job settings. You can select one of these settings:

Custom	Photo - Color JPEG
Text - BW PDF	Photo - Color TIFF
Text - BW TIFF	Text/Photo - BW PDF Text/Photo - Color PDF

To customize the scan job settings, from the Quick Setup menu, select **Custom**. Then change the scan settings as needed.

Format Type

This option sets the output (PDF, TIFF, or JPEG) for the scanned image.

- **PDF**—Output is a single file.
- **TIFF**—Output is a single file. If Multi-page TIFF is turned off in the Configuration menu, then the output is a series of one-page files.

- **JPEG**—Each page of the output is saved in a separate one-page file. When multiple pages are scanned, the output is a series of one-page files.

Compression

This option sets the format used to compress the scanned output file.

Default Content

This option tells the printer the original document type. Choose from Text, Text/Photo, or Photo. Content affects the quality and size of your scanned file.

Text—Emphasizes sharp, black, high-resolution text against a clean, white background

Text/Photo—Used when the original documents are a mixture of text and graphics or pictures

Photo—Tells the scanner to pay extra attention to graphics and pictures. This setting increases the time it takes to scan, but emphasizes a reproduction of the full dynamic range of tones in the original document. This increases the amount of information saved.

Color

This option tells the printer the color of the original documents. You can select Gray, BW (Black and White), or Color.

Original Size

This option opens a screen where you can choose the size of the documents you are going to scan.

- Touch a paper size button to select that size as the Original Size setting. The scan screen appears with your new setting displayed.
- When Original Size is set to Mixed Sizes, you can scan an original document that contains mixed paper sizes (letter- and legal-size pages).

Orientation

This option tells the printer whether the original document is in portrait or landscape orientation and then changes the Sides and Binding settings to match the original document orientation.

Sides (Duplex)

This option informs the printer if your original document is simplex (printed on one side) or duplex (printed on both sides). This lets the scanner know what needs to be scanned for inclusion in the document.

Darkness





This option adjusts how light or dark your scanned documents will turn out in relation to the original document.





Resolution

This option adjusts the output quality of your file. Increasing the image resolution increases the file size and the time needed to scan your original document. Image resolution can be decreased to reduce the file size.

Advanced Imaging

This option lets you adjust Color Balance, Background Removal, Contrast, and Shadow Detail before you scan the document.

- **Color Balance**—Adjusts hue shifts in the color output. Touch  to increase the color value, or touch  to decrease the color value.
- **Background Removal**—Adjusts the white portion of the output. Touch  to increase the white portion, or touch  to decrease the white portion.

- **Contrast**—Touch  to increase the contrast, or touch  to decrease the contrast.
- **Shadow Detail**—Touch  to increase the visible detail in the shadows, or touch  to decrease the visible detail in the shadows.

Improving scan quality

Question	Tip
When should I use Text mode?	<ul style="list-style-type: none"> • Use Text mode when text preservation is the main goal of the scan, and preserving images copied from the original document is not a concern. • Text mode is recommended for receipts, carbon copy forms, and documents that only contain text or fine line art.
When should I use Text/Photo mode?	<ul style="list-style-type: none"> • Use Text/Photo mode when scanning an original document that contains a mixture of text and graphics. • Text/Photo mode is recommended for magazine articles, business graphics, and brochures.
When should I use Photo mode?	Use Photo mode when scanning photos printed on a laser printer or taken from a magazine or newspaper.

Printing

This chapter covers printing, printer reports, and job cancellation. Selection and handling of paper and specialty media can affect how reliably documents print. For more information, see "Avoiding jams" and "Storing print media."

Installing printer software

A printer driver is software that lets the computer communicate with the printer. The printer software is typically installed during the initial printer setup. For more information, see the *Setup* sheet or *Setup Guide* that shipped with the printer or click **Install printer and software** on the *Software and Documentation CD*.

When **Print** is chosen from a software application, a dialog representing the printer driver opens. Click **Properties**, **Preferences**, **Options**, or **Setup** from the initial Print dialog to open Print Properties and see all of the available printer settings that may be changed. If a feature in Print Properties is unfamiliar, open the online Help for more information.

Note: Print settings selected from the driver override the default settings selected from the control panel.

Printing a document

Printing a document from Windows

- 1 With a document open, click **File → Print**.
- 2 Click **Properties**, **Preferences**, **Options**, or **Setup**.
- 3 Adjust the settings.
- 4 Click **OK**.
- 5 Click **OK** or **Print**.

Printing a document from a Macintosh computer

- 1 With a document open, choose **File → Print**.
- 2 From the Copies & Pages or General pop-up menu, adjust the settings.
- 3 Click **OK** or **Print**.

Printing confidential and other held jobs

Holding jobs in the printer

When sending a job to the printer, you can specify in the Print Properties that you want the printer to hold the job in memory until you start the job from the control panel. All print jobs that can be initiated by the user at the printer are called *held jobs*.

Note: Confidential, Repeat, Reserve, and Verify print jobs may be deleted if the printer requires extra memory to process additional held jobs.

Job type	Description
Confidential	When you send a Confidential print job to the printer, you must create a PIN in Print Properties. The PIN must be four digits using the numbers 0–9. The job is held in printer memory until you enter the PIN from the control panel and choose to print or delete the job.
Repeat	When you send a Repeat print job, the printer prints all requested copies of the job <i>and</i> stores the job in memory so you can print additional copies later. You can print additional copies as long as the job remains stored in memory.
Reserve	When you send a Reserve print job, the printer does not print the job immediately. It stores the job in memory so you can print the job later. The job is held in memory until you delete it from the Held Jobs menu.
Verify	When you send a Verify print job, the printer prints one copy and holds the remaining copies in printer memory. Verify lets you examine the first copy to see if it is satisfactory before printing the remaining copies. Once all copies are printed, the job is automatically deleted from printer memory.

Printing confidential and other held jobs from Windows

- 1 With a document open, click **File → Print**.
 - 2 Click **Properties, Preferences, Options, or Setup**.
 - 3 Click **Other Options**, and then click **Print and Hold**.
 - 4 Select your job type (Confidential, Reserve, Repeat, or Verify), and then assign a user name. For a confidential job, also enter a four-digit PIN.
 - 5 Click **OK** or **Print**, and then go to the printer to release the job.
 - 6 On the home screen, touch **Held jobs**.
 - 7 Touch your user name.
- Note:** A maximum of 500 results can be displayed for held jobs. If your name does not appear, touch ▼ until your name appears, or touch **Search Held Jobs** if there are a large number of held jobs in the printer.
- 8 Touch **Confidential Jobs**.
 - 9 Enter your PIN.
 - 10 Touch the job you want to print.
 - 11 Touch **Print**, or touch + to increase the number of copies, and then touch **Print**.

Confidential and Verify print jobs are automatically deleted from memory after they print. Repeat and Reserve jobs continue to be held in the printer until you choose to delete them.

Printing confidential and other held jobs from a Macintosh computer

- 1 With a document open, choose **File → Print**.
- 2 From the Copies & Pages or General pop-up menu, choose **Job Routing**.
 - a When using Mac OS 9, if Job Routing is not a choice from the pop-up menu, choose **Plug-in Preferences → Print Time Filters**.
 - b Turn down the disclosure triangle to the left of **Print Time Filters**, and then choose **Job Routing**.

3 From the radio group, select your job type (Confidential, Reserve, Repeat, or Verify), and then assign a user name. For a confidential job, also enter a four-digit PIN.

4 On the home screen, touch **Held jobs**.

5 Touch your user name.

Note: A maximum of 500 results can be displayed for held jobs. If your name does not appear, touch ▼ until your name appears, or touch **Search Held Jobs** if there are a large number of held jobs in the printer.

6 Touch **Confidential Jobs**.

7 Enter your PIN.

8 Touch the job you want to print.

9 Touch **Print**, or touch ➤ to increase the number of copies, and then touch **Print**.

Confidential and Verify print jobs are automatically deleted from memory after they print. Repeat and Reserve jobs continue to be held in the printer until you choose to delete them.

Printing from a USB flash memory device

A USB Direct interface is located on the control panel. Insert a USB flash memory device to print supported file types. Supported file types include: .pdf, .gif, .jpeg, .jpg, .bmp, .png, .tiff, .tif, .pcx, and .dcx.

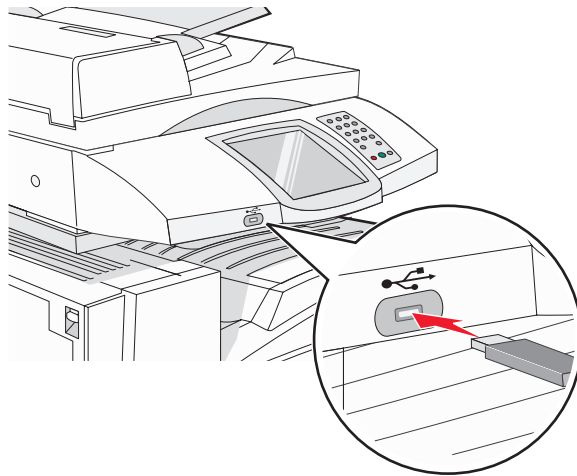
Many USB flash memory devices are tested and approved for use with the printer. For more information, visit the Lexmark Web site at www.lexmark.com.

Notes:

- Hi-Speed USB devices must support the Full-speed standard. Devices supporting only USB Low-speed capabilities are not supported.
- USB devices must support the FAT (*File Allocation Tables*) system. Devices formatted with NTFS (*New Technology File System*) or any other file system are not supported.
- If selecting an encrypted .pdf file, enter the file password from the control panel.
- Before printing an encrypted .pdf file, enter the file password from the control panel.
- You cannot print files for which you do not have printing permissions.

To print from a USB flash memory device:

- 1 Make sure the printer is on and **Ready** or **Busy** appears.
- 2 Insert a USB flash memory device into the USB Direct interface.




Notes:

- If you insert the memory device when the printer requires attention, such as when a jam has occurred, the printer ignores the memory device.
- If you insert the memory device while the printer is printing other jobs, **Printer Busy** appears. After the other jobs are processed, you may need to view the held jobs list to print documents from the flash memory device.

- 3 Touch the document you want to print.

Note: Folders found on the flash memory device appear as folders. File names are appended by the extension type (for example, .jpg).

- 4 Touch  if you want to increase the number of printed copies.

- 5 Touch **Print**.


Note: Do not remove the USB flash memory device from the USB Direct interface until the document has finished printing.

If you leave the USB flash memory device in the printer after leaving the initial USB menu screen, you can still print .pdf's from the USB flash memory device as held jobs.

Printing information pages


Printing a menu settings page

Print a menu settings page to review the current menu settings and to verify printer options are installed correctly.

- 1 Make sure the printer is on and **Ready** appears.
- 2 On the home screen, touch .
- 3 Touch **Reports**.
- 4 Touch **Menu Settings Page**.


Printing a network setup page

If the printer is attached to a network, print a network setup page to verify the network connection. This page also provides important information that aids network printing configuration.

- 1 Make sure the printer is on and **Ready** appears.
- 2 On the home screen, touch .
- 3 Touch **Reports**.
- 4 Touch **Menu Settings Page**.



Printing a directory list

A directory list shows the resources stored in flash memory or on the hard disk.

- 1 Make sure the printer is on and **Ready** appears.
- 2 On the home screen, touch .
- 3 Touch **Reports**.
- 4 Touch ▼ repeatedly until **Print Directory** appears.
- 5 Touch **Print Directory**.

Printing the print quality test pages

Print the print quality test pages to isolate print quality problems.

- 1 Turn the printer off.
- 2 Hold down  and  while turning the printer on.
- 3 Release the buttons when the screen with the progress bar appears.
The printer performs a power-on sequence, and then the Configuration menu appears.
- 4 Touch ▼ repeatedly until **Print Quality Pages** appears.
- 5 Touch **Print Quality Pages**.
The print quality test pages print.
- 6 Touch **Exit Config Menu**.

Canceling a print job

There are several methods for canceling a print job. The following sections explain how to cancel a print job from the control panel or from a computer (depending on the operating system).

Canceling a print job from the control panel

If the job is formatting or already printing, and **Cancel a job** appears on the display, touch **Cancel Job** on the touch screen.

A “Canceling job” screen appears. Once the job is canceled, the home screen appears.

Canceling a print job from the Windows taskbar

When you send a job to print, a small printer icon appears in the right corner of the taskbar.

- 1 Double-click the printer icon.
A list of print jobs appears in the printer window.
- 2 Select a job to cancel.
- 3 From the keyboard, press **Delete**.

Canceling a print job from the Windows desktop

- 1 Minimize all programs to reveal the desktop.
- 2 Double-click the **My Computer** icon.
- 3 Double-click the **Printers** icon.
- 4 Double-click the printer icon.
- 5 Select the job to cancel.
- 6 From the keyboard, press **Delete**.

Canceling a print job from Mac OS 9

When you send a job to print, the printer icon for your selected printer appears on the desktop.

- 1 Double-click the printer icon.
A list of print jobs appears in the printer window.
- 2 Choose a job to cancel.
- 3 Click the trash icon.


Canceling a print job from Mac OS X

- 1 Choose **Applications → Utilities**, and then double-click **Print Center** or **Printer Setup Utility**.
- 2 Double-click the printer you are printing to.
- 3 From the printer window, select the job to cancel.
- 4 From the icon bar at the top of the window, click the **Delete** icon.

Printing in black and white

To print all text and graphics using only the black toner cartridge, set the printer to Black Only.

Note: The printer driver is capable of overriding this setting.

- 1 Make sure the printer is on and **Ready** appears.
- 2 On the home screen, touch .
- 3 Touch **Settings**.
- 4 Touch ▼ repeatedly until **Quality Menu** appears.
- 5 Touch ▼ repeatedly until **Print Mode** appears.
- 6 Touch ▼ repeatedly until **Black Only** appears.
- 7 Touch **Black Only**.

Using Max Speed and Max Yield

The Max Speed and Max Yield settings allow you to choose between a faster print speed or a higher toner yield. Max Speed is the factory default setting.

- **Max Speed**—Prints in a black only mode until it receives a page with color content. Then, it prints in color and does not switch to black only until it receives ten consecutive black-and-white pages.
- **Max Yield**—Switches from black to color mode based on the color content found on each page. Frequent color mode switching can result in slower printing if the content of pages is mixed.

To specify the setting:

- 1 Open a Web browser.
- 2 In the address bar, type the network printer or print server IP address, and then press **Enter**.
- 3 Click **Configuration**.
- 4 Click **Print Settings**.
- 5 Click **Setup Menu**.
- 6 From the Printer Usage list, select **Max Speed** or **Max Yield**.
- 7 Click **Submit**.

Clearing jams

Avoiding jams

The following hints can help you avoid jams:

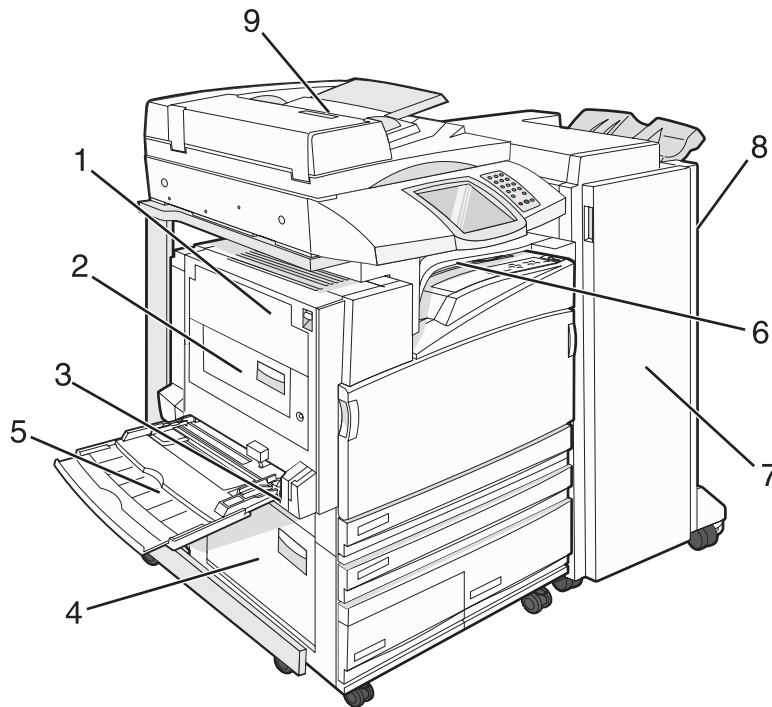
- Use only recommended paper or specialty media.

For more information, see the *Card Stock & Label Guide* available on the Lexmark Web site at www.lexmark.com/publications.

- Do not load too much paper. Make sure the stack height does not exceed the indicated maximum height.
- Do not load wrinkled, creased, damp, or curled paper.
- Flex, fan, and straighten paper before loading it.
- Do not use paper that has been cut or trimmed by hand.
- Do not mix paper sizes, weights, or types in the same stack.
- Store the paper in an appropriate environment.
- Do not remove trays while the printer is printing. Wait for **Load tray <x>** or **Ready** to appear before removing a tray.
- Do not load the manual feeder while the printer is printing. Wait for **Load Manual feeder with <x>** to appear.
- Push all trays in firmly after loading paper.
- Make sure the guides in the trays are properly positioned, and are not pressing too tightly against the paper.
- Make sure all paper sizes and paper types are set correctly in the control panel menu.
- Make sure all printer cables are attached correctly. For more information, see the setup documentation.

Understanding jam numbers and locations


When a jam occurs, a message indicating the jam location appears. The following illustration and table list the paper jams that can occur and the location of each jam. Open doors and covers, and remove trays to access jam locations.

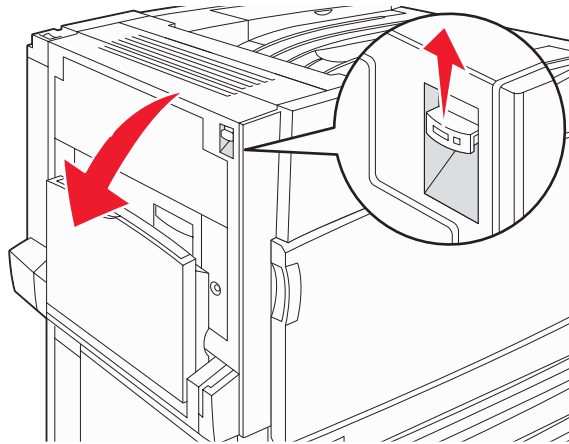


	Jam numbers	Area name	Instructions
1	200–203	Door A	Open Door A, and then remove the jam.
2	230–231	Door B	Open Doors A and B, and then remove any jams.
3	241	Door C	Open Door C, and then remove the jam. Open Tray 1, and then remove any jams.
4	242–244	Door D	Open Door D, and then remove the jam. Open Trays 2–4, and then remove any jams.
5	250	Multipurpose feeder	1 Remove all paper from the multipurpose feeder. 2 Flex and stack the paper. 3 Reload the multipurpose feeder. 4 Adjust the paper guide.
6	280–282	Cover F (Horizontal Transport Unit)	Open Cover F, and then remove the jam.
7	283–284 287–288 289	Door G	Open Door G, and then remove the jam. For staple jams, remove the paper from the accumulator. Remove the staple cartridge, and then clear the staple jam.
8	284–286	Door H	Open Door H, and then remove the jam. Door H is located between the finisher output bins.
9	290–295	ADF cover	Open the ADF cover, and then remove the jam.

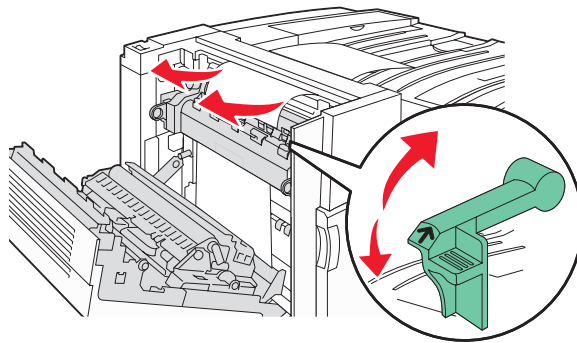
200–203 paper jams

- 1 Open Door A by lifting the release latch and lowering the door.

 **CAUTION:** The inside of the printer might be hot. To reduce the risk of injury from a hot component, allow the surface to cool before touching.



- 2 Lift the green lever, and then pull the paper up and toward you.




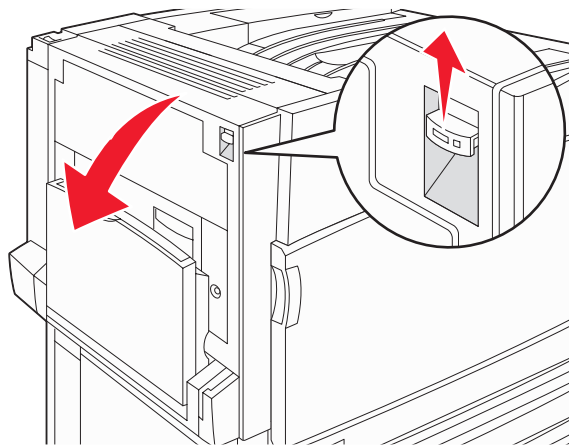
Note: Make sure all paper fragments are removed.

- 3 Push the green lever down.
- 4 Close Door A.
- 5 Touch **Continue**.

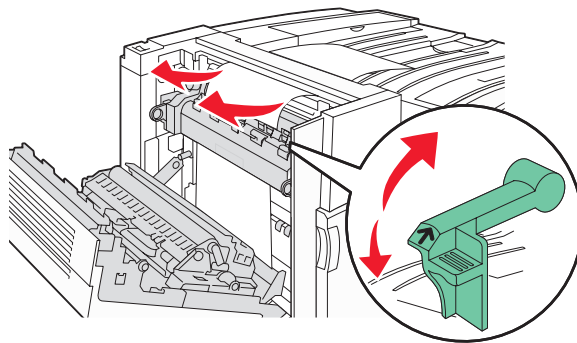
230–231 paper jams

- 1 Open Door A by lifting the release latch and lowering the door.

 **CAUTION:** The inside of the printer might be hot. To reduce the risk of injury from a hot component, allow the surface to cool before touching it.



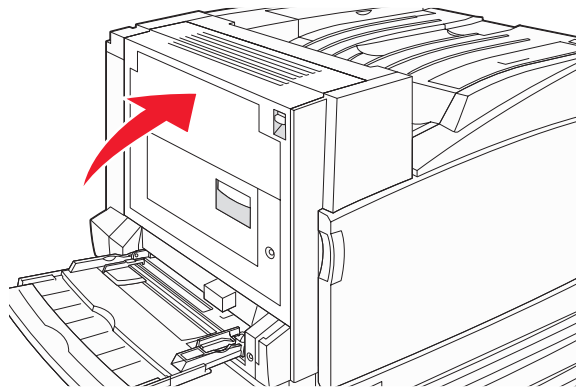
2 Lift the green lever, and then pull the paper up and toward you.



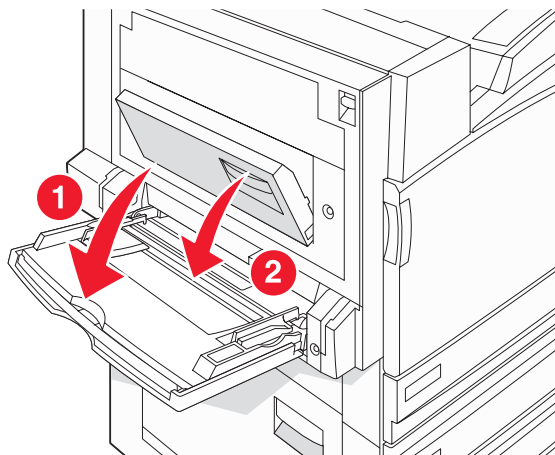
Note: Make sure all paper fragments are removed.

3 Push the green lever down.

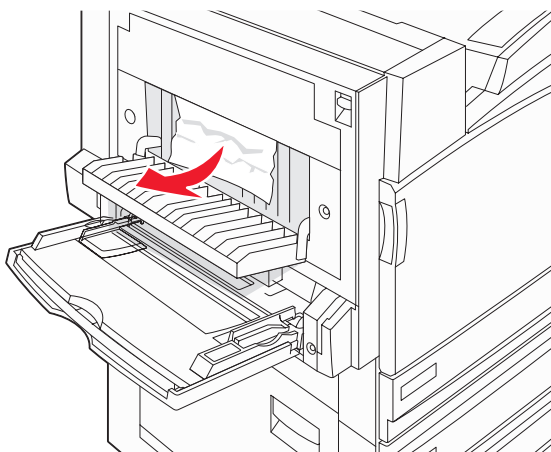
4 Close Door A.



5 Pull the multipurpose feeder down, and then open Door B.



6 Remove the jammed paper.

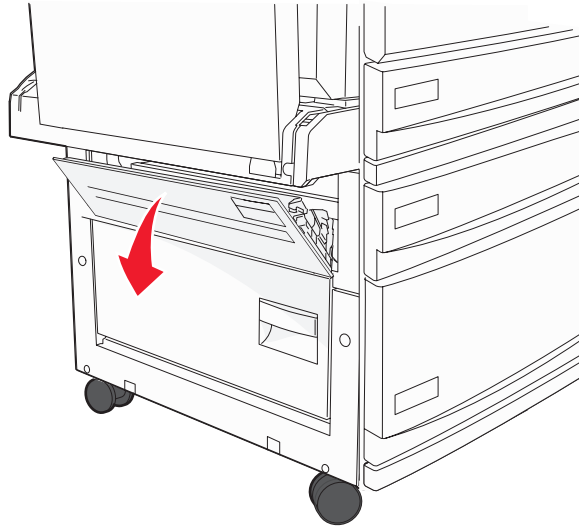


7 Close Door B.

8 Touch **Continue**.

241 paper jam

1 Open Door C.

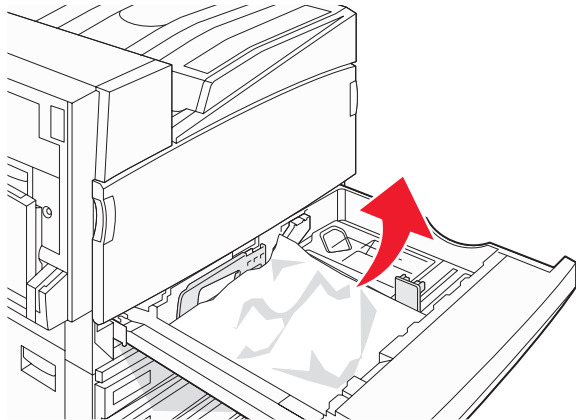


2 Pull the paper down and toward you.

Note: Make sure all paper fragments are removed.

3 Close Door C.

4 Open Tray 1, and then remove any crumpled paper from the tray.

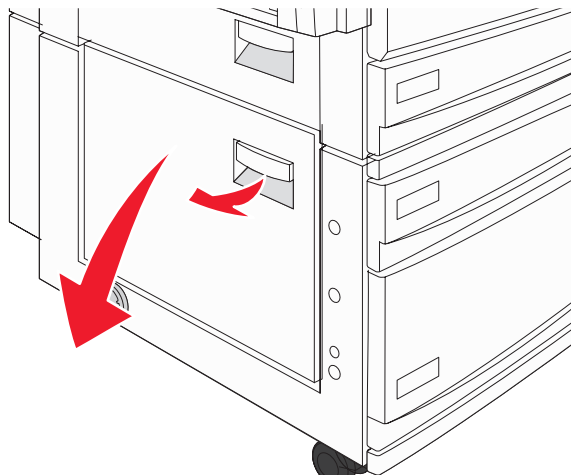


5 Close the tray.

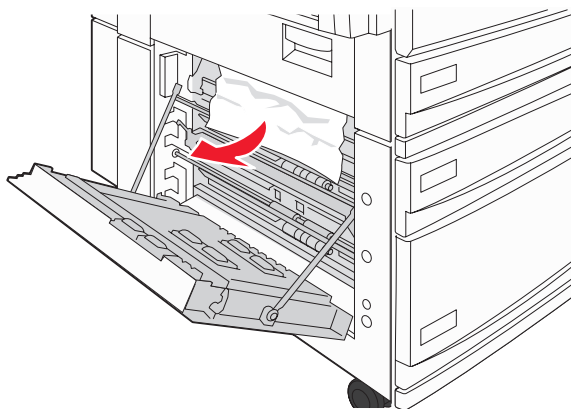
6 Touch **Continue**.

242–244 paper jams

1 Open Door D.



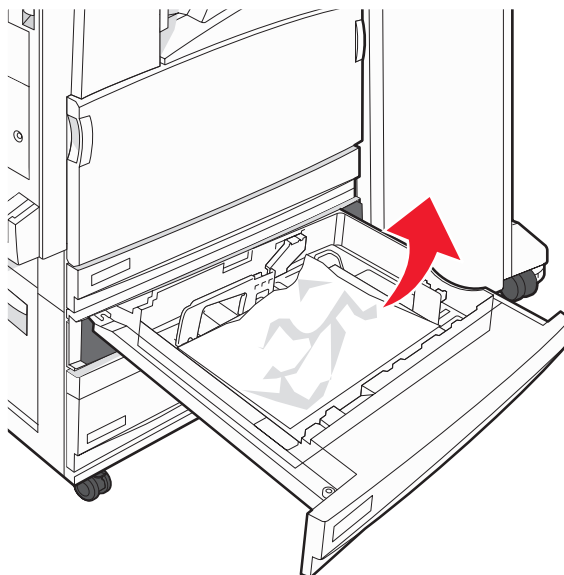
2 Pull the paper down and away from the printer.



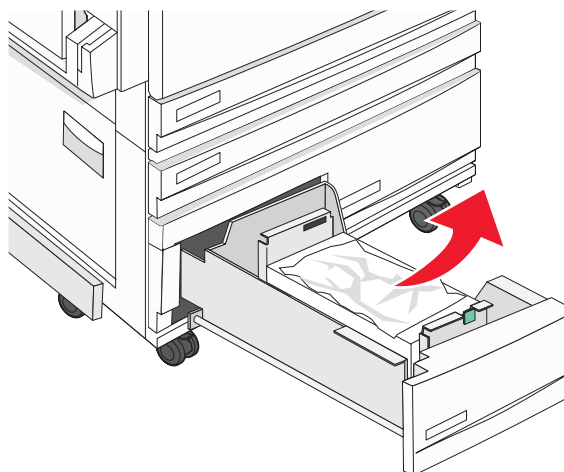
Note: Make sure all paper fragments are removed.

3 Close Door D.

- 4** Clear crumpled paper from Trays 2–4.
- a** Open Tray 2, and then remove any crumpled paper.

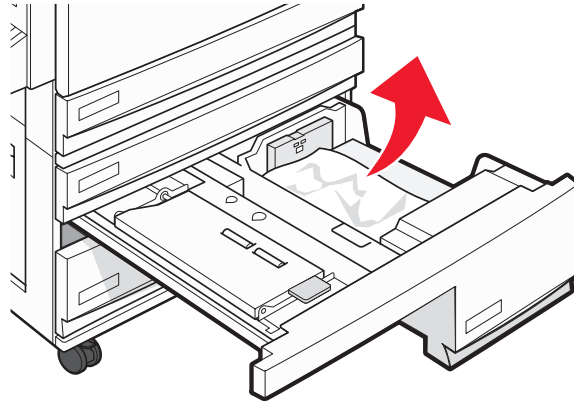


- b** Close Tray 2.
- c** Open Tray 3, and then remove any crumpled paper.

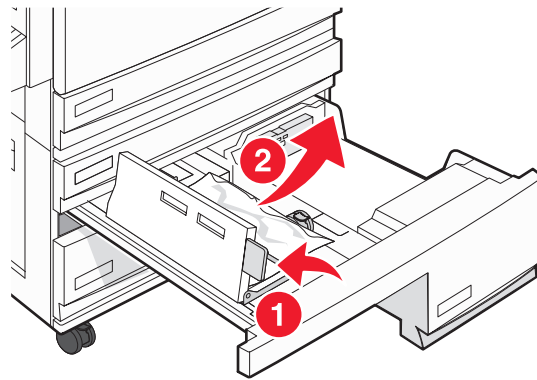


- d** Close Tray 3.

e Open Tray 4, and then remove any crumpled paper.



f Open the inside cover, and then remove any jammed paper.

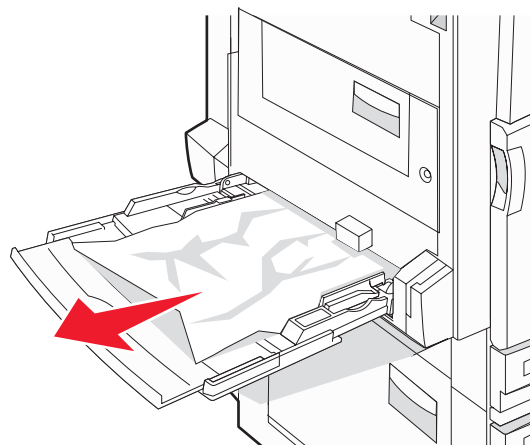


g Close the inside cover, and then close Tray 4.

5 Touch **Continue**.

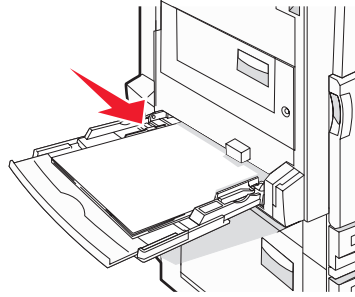
250 paper jam

1 Remove the paper from the multipurpose feeder.



2 Flex the sheets of paper back and forth to loosen them, and then fan them. Do not fold or crease the paper. Straighten the edges on a level surface.

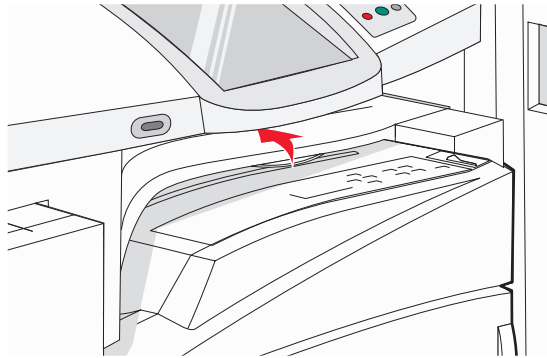
- 3 Load the paper into the multipurpose feeder.
- 4 Slide the paper guide toward the inside of the tray until it lightly rests against the edge of the paper.



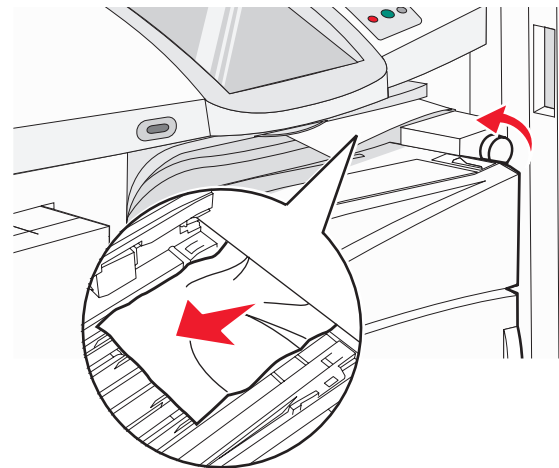
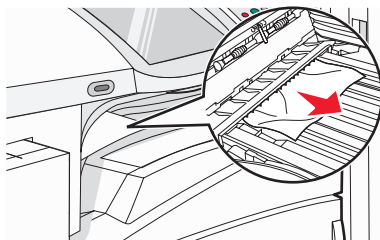
- 5 Touch **Continue**.

280–282 paper jams

- 1 Open Cover F.



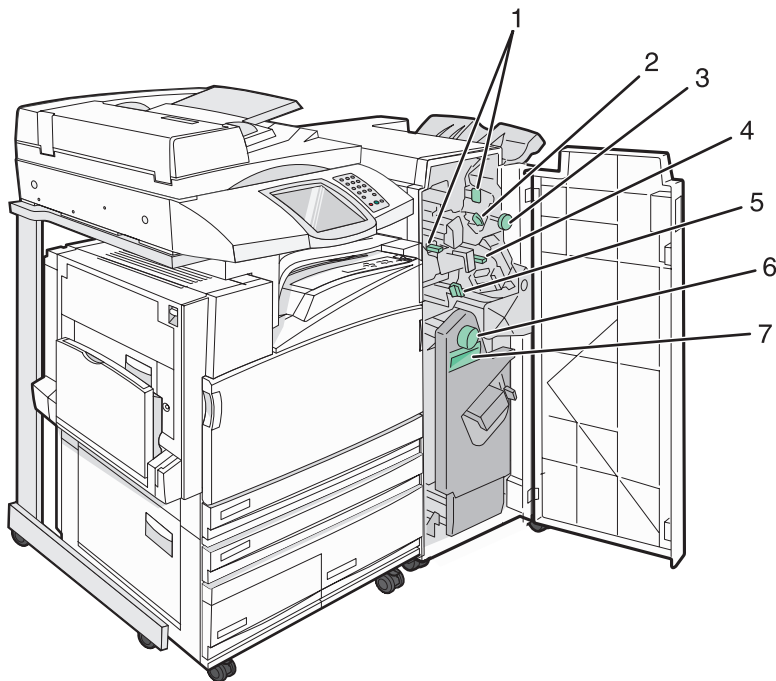
- 2 Remove the jammed paper.



Note: If the paper jam on the right is difficult to remove, rotate the knob clockwise.

- 3 Close Cover F.
- 4 Touch **Continue**.

283–284 and 287–288 paper jams

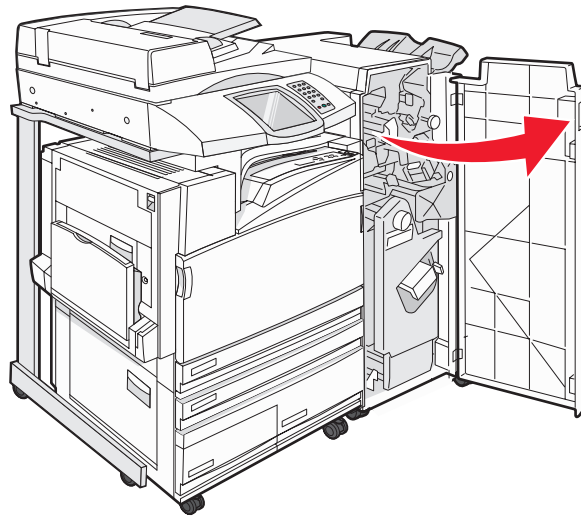


Covers, knobs, and handles located behind finisher Door G

	Cover, knob, or handle name
1	Cover G1
2	Cover G2
3	Knob G3
4	Cover G4
5	Cover G7
6	Knob G8

	Cover, knob, or handle name
7	Handle G9

1 Open Door G.



2 Lift both Cover G1 levers, and then remove any jammed paper.

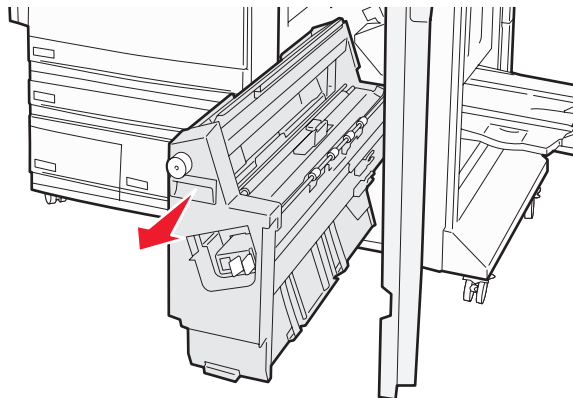
3 Move Cover G2 to the right, and then remove any jammed paper.

Note: If the paper is jammed in the rollers, rotate Knob G3 counterclockwise.

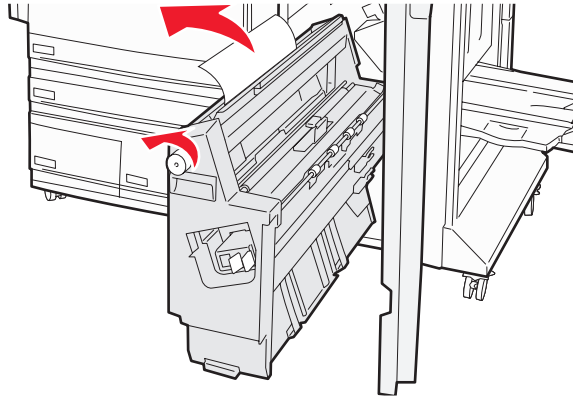
4 Move Cover G4 down, and then remove any jammed paper.

5 Move Cover G7 to the left, and then remove any jammed paper.

6 Pull Handle G9 until the tray is completely open.



7 Lift the inside cover. If the paper is jammed in the rollers, rotate Knob G8 clockwise, and then remove the jammed paper.

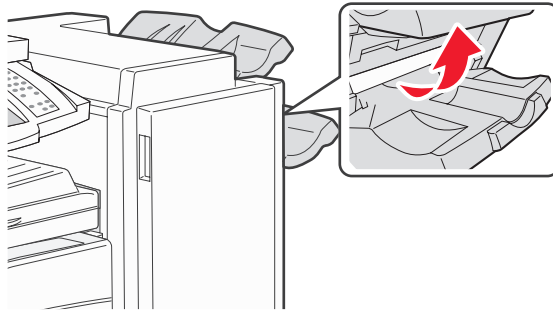


8 Close Door G.

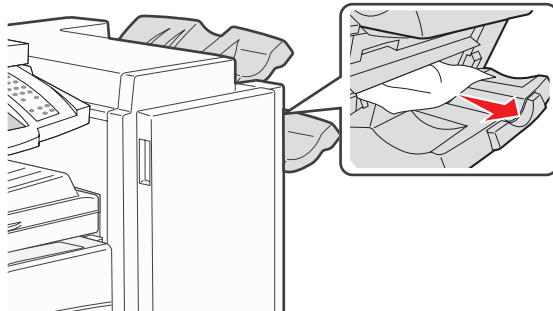
9 Touch **Continue**.

284–286 paper jams

1 Open Door H.



2 Remove the jammed paper.

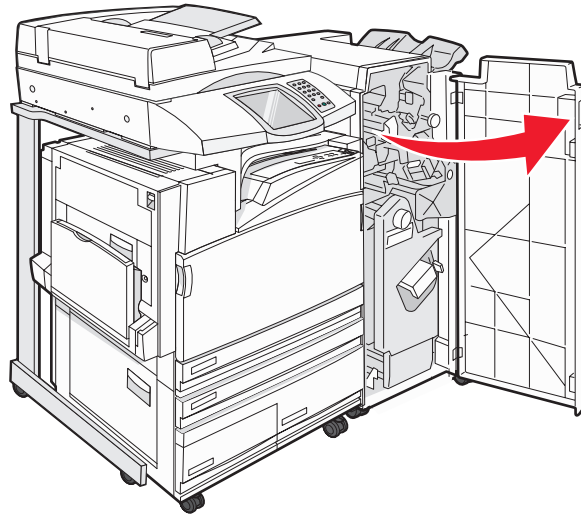


3 Close Door H.

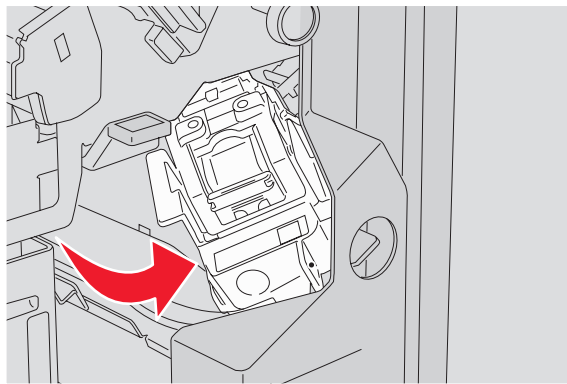
4 Touch **Continue**.

289 staple jam

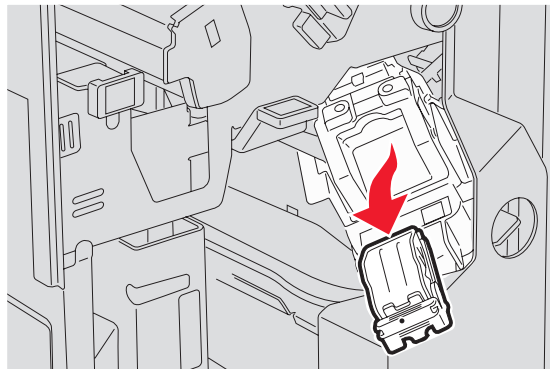
1 Open Door G.



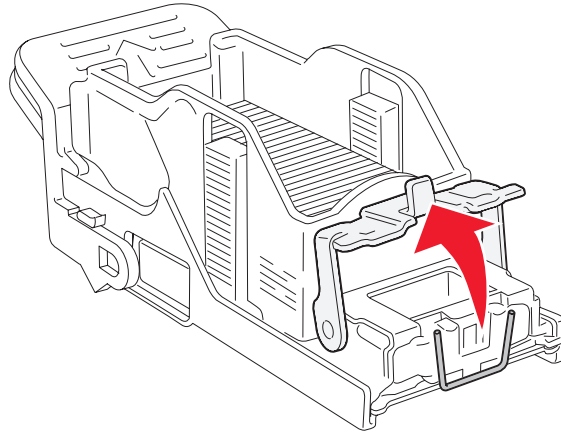
2 Slide the G5 stapler toward the front of the finisher.



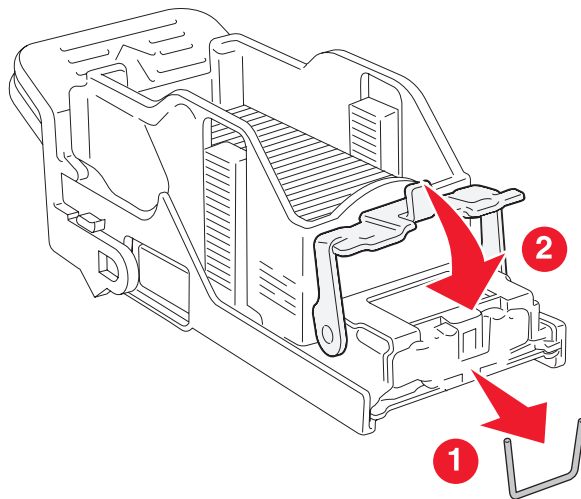
3 Lift the lever, and then remove the staple cartridge.



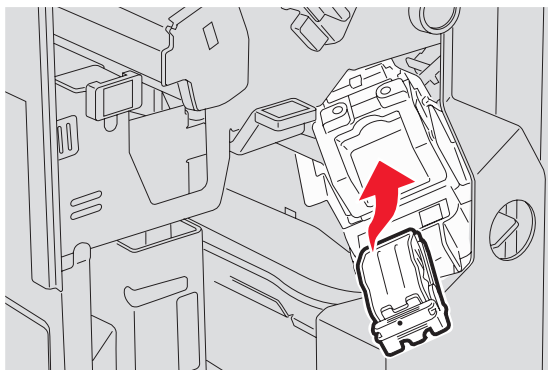
4 Open the staple cover.



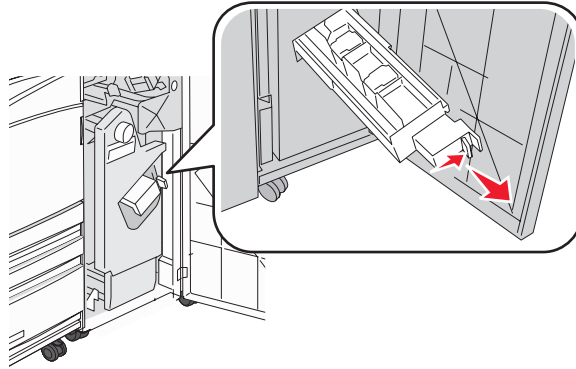
5 Remove the jammed staple, and then close the cover.



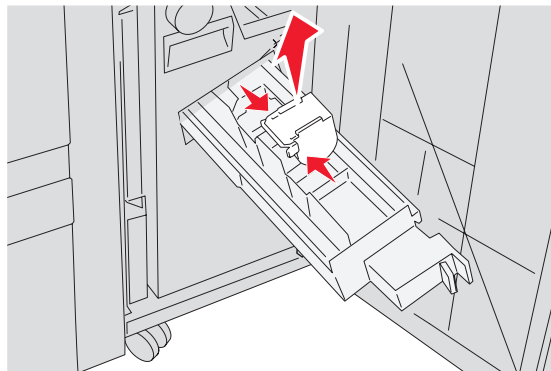
6 Place the staple cartridge into the upper stapler.



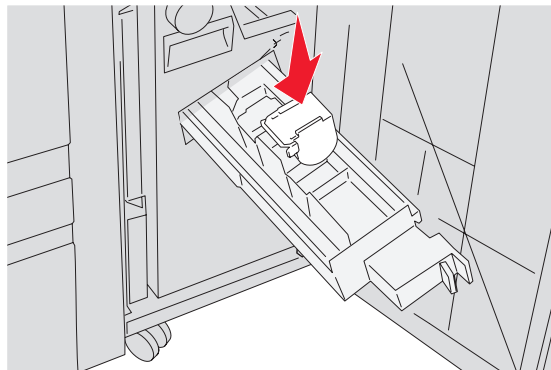
7 Open the lower staple drawer.



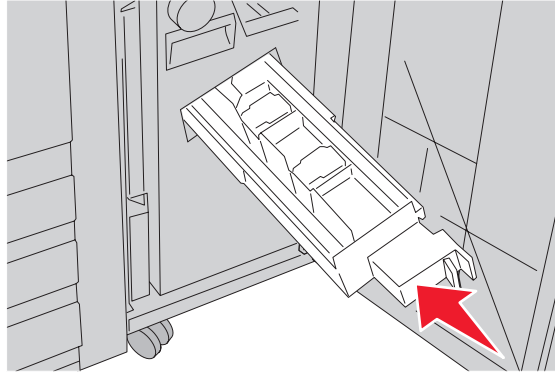
8 Remove the staple cartridge identified on the display.



9 Remove the jammed staples, and then place the staple cartridge into the stapler.



10 Close the staple drawer.

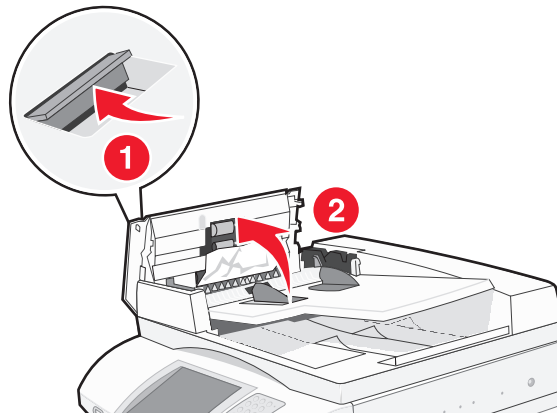


11 Close Door G.

12 Touch **Continue**.

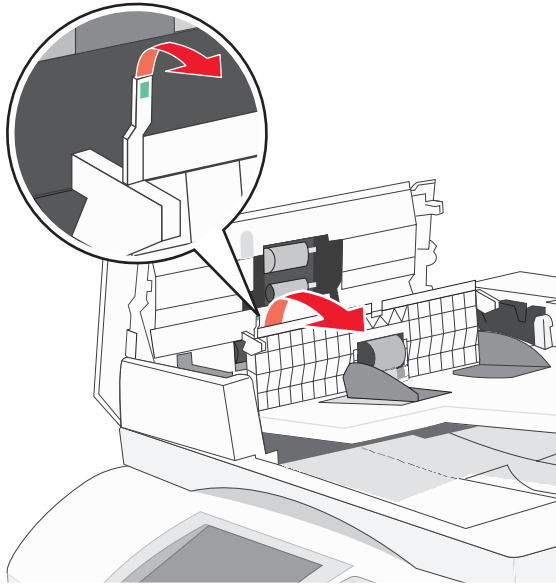
290–295 paper jams

- 1 Remove all original documents from the ADF.
- 2 Open the ADF cover, and then remove any jammed paper.



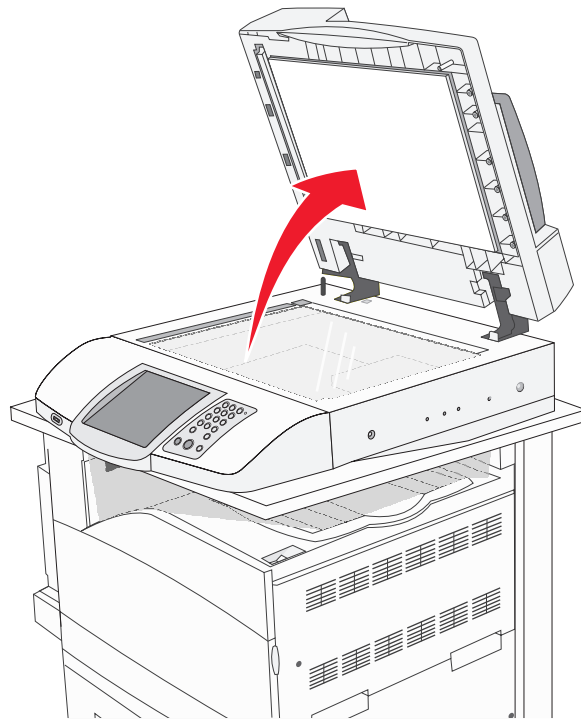
3 Raise the sheet guard, and then remove any jammed paper.

Note: If the jammed paper cannot be remove easily, rotate the paper advance wheel to the left.



4 Close the ADF cover.

5 Open the scanner cover, and then remove any jammed pages.




6 Close the scanner cover.

7 Touch **Continue**.

Understanding printer menus

Menus list

A number of menus are available to make it easy for you to change printer settings. To access the menus, touch  on the home screen.

Supplies Menu

- Cyan Toner
- Yellow Toner
- Magenta Toner
- Black Toner
- Cyan PC Unit
- Yellow PC Unit
- Magenta PC Unit
- Black PC Unit
- Waste Toner Box
- Staples G5
- Staples G12
- Staples G11
- Hole Punch Box

Paper Menu

- Default Source
- Paper Size/Type
- Configure MP
- Substitute Size
- Paper Texture
- Paper Loading
- Custom Types
- Custom Names
- Custom Bin Names
- Universal Setup
- Bin Setup

Reports

- Menu Settings Page
- Device Statistics
- Network Setup Page
- Shortcut List
- Fax Job Log
- Fax Call Log
- E-mail Shortcuts
- Fax Shortcuts
- FTP Shortcuts
- Profiles List
- NetWare Setup Page
- Print Fonts
- Print Directory

Settings

- General Settings
- Copy Settings
- Fax Settings
- E-mail Settings
- FTP Settings
- Scan to USB Settings
- Print Settings
- Security
- Set Date and Time

Network/Ports

- TCP/IP
- IPv6
- E-mail Server Setup
- Active NIC
- Standard Network
- Standard USB
- NetWare
- AppleTalk
- LexLink

Help

- Print all guides
- Copy guide
- E-mail guide
- Fax guide
- FTP guide
- Information guide
- Print defects guide
- Supplies guide

Supplies menu

Menu item	Description
Cyan, Magenta, Yellow, or Black Toner Low Replace Missing or Defective OK Unsupported	Shows the status of the toner cartridges
Cyan, Magenta, Yellow, or Black PC Units Life Warning Replace Missing OK Normal	Shows the status of the photoconductor units
Waste Toner Box Near Full Replace Missing OK	Shows the status of the waste toner bottle
Staples G5, Staples G11, or Staples G12 Low Empty Missing OK	Shows the status of the staples
Hole Punch Box Full Missing OK	Shows the status of the hole punch box

Paper menu

Default Source menu

Menu item	Description
Default Source Tray <x> MP Feeder Manual Paper Manual Env	Sets a default paper source for all print jobs Notes: <ul style="list-style-type: none"> • From the Paper menu, Configure MP must be set to Cassette in order for MP Feeder to appear as a menu setting. • Tray 1 (standard tray) is the factory default setting. • Only an installed paper source will appear as a menu setting. • A paper source selected by a print job will override the Default Source setting for the duration of the print job. • If the same size and type of paper are in two trays and the Paper Size and Paper Type settings match, the trays are automatically linked. When one tray is empty, the job prints using the linked tray.

Paper Size/Type menu

Menu item	Description
Tray <x> Size 11 x 17 A3 A4 A5 JIS B4 JIS B5 Folio Legal Letter Statement	Specifies the paper size loaded in each tray Notes: <ul style="list-style-type: none"> • Letter is the US factory default setting. A4 is the international factory default setting. • For trays with automatic size sensing, only the size detected by the hardware appears. • If the same size and type of paper are in two trays and the Paper Size and Paper Type settings match, the trays are automatically linked. When one tray is empty, the job prints using the linked tray.
Tray <x> Type Plain Paper Card Stock Transparency Glossy Bond Letterhead Preprinted Colored Paper Custom Type <x>	Specifies the type of paper loaded in each tray Notes: <ul style="list-style-type: none"> • Plain Paper is the factory default setting for Tray 1. Custom Type <x> is the factory default setting for all other trays. • If available, a user-defined name will appear instead of Custom Type <x>. • Use this menu item to configure automatic tray linking.

Note: Only installed trays, drawers, and feeders are listed in this menu.

Menu item	Description
<p>MP Feeder Size</p> <ul style="list-style-type: none"> 11 x 17 A3 A4 A5 Executive Folio JIS B4 JIS B5 Legal Letter Statement Universal 7 3/4 Envelope 10 Envelope DL Envelope C5 Envelope B5 Envelope 	<p>Specifies the paper size loaded in the multipurpose feeder</p> <p>Notes:</p> <ul style="list-style-type: none"> • From the Paper menu, Configure MP must be set to Cassette in order for MP Feeder to appear as a menu setting. • Letter is the US factory default setting. A4 is the international factory default setting. • The multipurpose feeder does not automatically sense paper size. The paper size value must be set.
<p>MP Feeder Type</p> <ul style="list-style-type: none"> Plain Paper Card Stock Transparency Glossy Labels Bond Envelope Letterhead Preprinted Colored Paper Custom Type <x> 	<p>Specifies the type of paper loaded in the multipurpose feeder</p> <p>Notes:</p> <ul style="list-style-type: none"> • From the Paper menu, Configure MP must be set to Cassette in order for MP Feeder to appear as a menu selection. • Plain paper is the factory default setting.
<p>Manual Paper Size</p> <ul style="list-style-type: none"> 11 x 17 A3 A4 A5 Executive Folio JIS B4 JIS B5 Legal Letter Statement Universal 	<p>Specifies the size of the paper being manually loaded</p> <p>Note: Letter is the US factory default setting. A4 is the international factory default setting.</p>
<p>Note: Only installed trays, drawers, and feeders are listed in this menu.</p>	

Menu item	Description
Manual Paper Type Plain Paper Card Stock Transparency Glossy Labels Bond Letterhead Preprinted Colored Paper Custom Type <x>	Specifies the type of paper being manually loaded Note: Plain Paper is the factory default setting.
Manual Envelope Size 7 3/4 Envelope 10 Envelope C5 Envelope B5 Envelope DL Envelope	Specifies the size of the envelope being manually loaded Note: 10 Envelope is the US factory default setting. DL Envelope is the international factory default setting.
Manual Envelope Type Envelope Custom Type <x>	Specifies the type of envelope being manually loaded Note: Envelope is the factory default setting.
Note: Only installed trays, drawers, and feeders are listed in this menu.	

Configure MP menu

Menu item	Description
Configure MP Cassette Manual	Determines when the printer selects paper from the multipurpose feeder Notes: <ul style="list-style-type: none"> • Cassette is the factory default setting. • The Cassette setting configures the multipurpose feeder as an automatic paper source. • When Manual is selected, the multipurpose feeder can be used only for manual feed print jobs.

Substitute Size menu

Menu item	Description
Substitute Size Off Statement/A5 Letter/A4 11 x 17/A3 All Listed	Substitutes a specified paper size if the requested paper size is not available Notes: <ul style="list-style-type: none"> • All Listed is the factory default setting. All available substitutions are allowed. • The Off setting indicates no size substitutions are allowed. • Setting a substitution lets the job print without a Change Paper message appearing.

Paper Texture menu

Menu item	Description
Plain Texture Smooth Normal Rough	Specifies the relative texture of the paper loaded in a specific tray Note: Normal is the factory default setting.
Card Stock Texture Smooth Normal Rough	Specifies the relative texture of the card stock loaded in a specific tray Notes: <ul style="list-style-type: none"> • Normal is the factory default setting. • Settings appear only if card stock is supported.
Transparency Texture Smooth Normal Rough	Specifies the relative texture of the transparencies loaded in a specific tray Note: Normal is the factory default setting.
Glossy Texture Smooth Normal Rough	Specifies the relative texture of the Glossy paper loaded in a specific tray Note: Normal is the factory default setting.
Labels Texture Smooth Normal Rough	Specifies the relative texture of the labels loaded in a specific tray Note: Normal is the factory default setting.
Bond Texture Smooth Normal Rough	Specifies the relative texture of the paper loaded in a specific tray Note: Rough is the factory default setting.

Menu item	Description
Envelope Texture Smooth Normal Rough	Specifies the relative texture of the envelopes loaded in a specific tray Note: Normal is the factory default setting.
Letterhead Texture Smooth Normal Rough	Specifies the relative texture of the paper loaded in a specific tray Note: Normal is the factory default setting.
Preprinted Texture Smooth Normal Rough	Specifies the relative texture of the paper loaded in a specific tray Note: Normal is the factory default setting.
Colored Texture Smooth Normal Rough	Specifies the relative texture of the paper loaded in a specific tray Note: Normal is the factory default setting.
Custom <x> Texture Smooth Normal Rough	Specifies the relative texture of the custom paper loaded in a specific tray Notes: <ul style="list-style-type: none"> • Normal is the factory default setting. • Settings appear only if the custom type is supported.

Paper Loading menu

Menu item	Description
Card Stock Loading Duplex Off	Determines whether 2-sided printing occurs for all jobs that specify Card Stock as the paper type Note: Off is the factory default setting.
Labels Loading Duplex Off	Determines whether 2-sided printing occurs for all jobs that specify Labels as the paper type Note: Off is the factory default setting.
Bond Loading Duplex Off	Determines whether 2-sided printing occurs for all jobs that specify Bond as the paper type Note: Off is the factory default setting.
Letterhead Loading Duplex Off	Determines whether 2-sided printing occurs for all jobs that specify Letterhead as the paper type Note: Off is the factory default setting.
Notes: <ul style="list-style-type: none"> • Duplex sets the printer default to 2-sided printing for every print job unless 1-sided printing is selected from Print Properties. • If Duplex is selected, all print jobs are sent through the duplex unit including 1-sided jobs. 	

Menu item	Description
Preprinted Loading Duplex Off	Determines whether 2-sided printing occurs for all jobs that specify Preprinted as the paper type Note: Off is the factory default setting.
Colored Loading Duplex Off	Determines whether 2-sided printing occurs for all jobs that specify Colored as the paper type Note: Off is the factory default setting.
Glossy Loading Duplex Off	Determines whether 2-sided printing occurs for all jobs that specify Glossy as the paper type Note: Off is the factory default setting.
Custom <x> Loading Duplex Off	Determines whether 2-sided printing occurs for all jobs that specify Custom <x> as the paper type Notes: <ul style="list-style-type: none"> • Off is the factory default setting. • Custom <x> Loading is available only if the custom type is supported.
Notes: <ul style="list-style-type: none"> • Duplex sets the printer default to 2-sided printing for every print job unless 1-sided printing is selected from Print Properties. • If Duplex is selected, all print jobs are sent through the duplex unit including 1-sided jobs. 	

Custom Types menu

Menu item	Definition
Custom Type <x> Paper Card Stock Transparency Glossy Labels Bond Envelope	Associates a paper or specialty media type with a factory default Custom Type <x> name or a user-defined Custom Name created from the Embedded Web page. Notes: <ul style="list-style-type: none"> • Paper is the factory default setting. • Custom Type <x> appears unless a user-defined Custom Name is configured from the Embedded Web server or MarkVision. • The custom media type must be supported by the selected tray or multipurpose feeder in order to print from that source.

Custom Names menu

Menu item	Definition
Custom Name <x> <none>	Specify a custom name for a paper type. This name replaces a Custom Type <x> name in the printer menus.

Custom Bin Names menu

Menu Item	Description
Standard Bin <none>	Specifies a custom name for the Standard Bin
Bin 1 <none>	Specifies a custom name for Bin 1

Universal Setup menu

These menu items are used to specify the height, width, and feed direction of the Universal Paper Size. The Universal Paper Size is a user-defined paper size setting. It is listed with the other paper size settings and includes similar options, such as support for duplex printing and printing multiple pages on one sheet.

Menu item	Description
Units of Measure Inches Millimeters	Identifies the units of measure Notes: <ul style="list-style-type: none"> • Inches is the US factory default setting. • Millimeters is the international factory default setting.
Portrait Width 3–48 inches 76–1219 mm	Sets the portrait width Notes: <ul style="list-style-type: none"> • If the width exceeds the maximum, the printer uses the maximum width allowed. • 12 inches is the US factory default setting. Inches can be increased in 0.01-inch increments. • 305 mm is the international factory default setting. Millimeters can be increased in 1-mm increments.
Portrait Height 3–48 inches 76–1219 mm	Sets the portrait height Notes: <ul style="list-style-type: none"> • If the height exceeds the maximum, the printer uses the maximum height allowed. • 19 inches is the US factory default setting. Inches can be increased in 0.01-inch increments. • 483 mm is the international factory default setting. Millimeters can be increased in 1-mm increments.
Feed Direction Short Edge Long Edge	Specifies the feed direction Notes: <ul style="list-style-type: none"> • Short Edge is the factory default setting. • Long Edge appears only if the longest edge is shorter than the maximum length supported in the tray.

Bin Setup menu

Menu Item	Description
Output Bin Standard Bin Bin 1 Bin 2	Identifies installed output bins Note: Standard Bin is the factory default setting.
Configure Bins Mailbox Link Link Optional Type Assignment	Specifies configuration options for output bins Notes: <ul style="list-style-type: none"> • Mailbox is the factory default setting. • The booklet-maker bin (Bin 2) cannot be linked to another bin. Bin 2 folds all print jobs. • The Mailbox setting treats each bin as a separate mailbox. • The Link setting links together all available output bins. • The Link Optional setting links together all available output bins except the standard bin. • The Type Assignment setting assigns each paper type to an output bin.
Assign Type/Bins Plain Paper Bin Card Stock Bin Transparency Bin Glossy Bin Labels Bin Bond Bin Letterhead Bin Preprinted Bin Colored Bin Custom <x> Bin	Selects an output bin for each supported paper type Available selections for each type are: Disabled Standard Bin Bin 1 Notes: <ul style="list-style-type: none"> • Disabled is the factory default setting. • The factory default setting will change to Standard Bin if the Configure Bins menu is set to Type Assignment. Then, all print jobs will be sent to the standard exit bin until you reassign paper types to different bins by using the Assign Type/Bins menu.

Reports menu

Reports menu

Menu item	Description
Menu Settings Page <none>	Prints a report containing information about paper loaded into trays, installed memory, the total page count, alarms, timeouts, the control panel language, the TCP/IP address, the status of supplies, the status of the network connection, and other information Note: The page prints when this item is selected.
Device Statistics <none>	Prints a report containing printer statistics such as supply information and details about printed pages Note: The page prints when this item is selected.
Network Setup Page <none>	Prints a report containing information about the network printer settings, such as the TCP/IP address information Notes: <ul style="list-style-type: none"> • This menu item appears only for network printers or printers connected to print servers. • The page prints when this item is selected.
Shortcut List <none>	Prints a report containing information about configured shortcuts
Fax Job Log <none>	Prints a report containing information about the last 200 completed faxes Note: The page prints when this item is selected.
Fax Call Log <none>	Prints a report containing information about the last 100 attempted, received, and blocked calls Note: The page prints when this item is selected.
E-mail Shortcuts <none>	Prints a report containing information about e-mail shortcuts Note: The page prints when this item is selected.
Fax Shortcuts <none>	Prints a report containing information about fax shortcuts Note: The page prints when this item is selected.
FTP Shortcuts <none>	Prints a report containing information about FTP shortcuts Note: The page prints when this item is selected.
Profiles List <none>	Prints a list of profiles stored in the printer Note: The page prints when this item is selected.
NetWare Setup Page <none>	Prints a report containing NetWare-specific information about the network settings Notes: <ul style="list-style-type: none"> • This menu item appears only for printers with an internal print server installed. • The page prints when this item is selected.

Menu item	Description
Print Fonts <none>	Prints a report of all the fonts available for the printer language currently set in the printer
Print Directory <none>	Prints a list of all the resources stored on an optional flash memory card or printer hard disk Notes: <ul style="list-style-type: none"> • Job Buffer Size must be set to 100%. • The optional flash memory or printer hard disk must be installed correctly and working properly. • The page prints when this item is selected.

Settings menu

General Settings menu

Menu item	Description
Display Language English Francais Deutsch Italiano Espanol Dansk Norsk Nederlands Svenska Portuguese Suomi Russian Polski Simplified Chinese Korean Japanese	Sets the language of the text appearing on the display Note: All languages may not be available for all printers.
Keyboard Keyboard Type English Francais Francais Canadien Deutsch Italiano Espanol Dansk Norsk Nederlands Svenska Suomi Portuguese Russian Polski Simplified Chinese Korean Japanese	Specifies a language for the printer control panel keyboard
Keyboard Custom Key <x> <none>	Specifies custom key information for the printer control panel keyboard

Menu item	Description
Keyboard Accents/Symbols Tab Russian/Polish Tab Korean Tab	Enables access to accent marks and symbols from the printer control panel keyboard Available selections for each menu item are: On Off
General Defaults U.S. International	Specifies the printer factory defaults
Show Initial Prompts Yes No	Launches a setup wizard when the printer is powered on Notes: <ul style="list-style-type: none"> • Yes is the factory default setting. • When Done is selected from the Country select screen, the factory default setting switches to Off.
Displayed Information Left side Right side Custom Text <x> None	Specifies what is displayed on the upper left and right corners of the home screen Choose from the following options: IP Address Hostname Contact Name Location Date/Time mDNS/DDNS Service Name Zero Configuration Name Custom Text <x> None Notes: <ul style="list-style-type: none"> • IP Address is the factory default setting for Left side. • Date/Time is the factory default setting for Right side.
Date Format MM-DD-YYYY YYYY-MM-DD	Formats the printer date
Time Format 12 hour A.M./P.M. 24 hour clock	Formats the printer time
Screen Brightness 20–100	Specifies the brightness of the control panel screen
Show Bookmarks On Off	Specifies whether bookmarks are displayed from the Held Jobs area Note: On is the factory default setting. When On is selected, bookmarks appear in the Held Jobs area.

Menu item	Description
Allow Background Removal On Off	Specifies whether image background removal is allowed during copy, fax, e-mail, FTP, or scan to USB Note: On is the factory default setting. The background of the image will be removed.
Allow Custom Job Scans On Off	Lets you scan multiple jobs to one file Note: On is the factory default setting. If On is selected, the Allow Custom Job Scans setting can be enabled for specific jobs.
Scanner Jam Recovery Job level Page level	Specifies how a scanned job should be reloaded if a paper jam occurs in the ADF Notes: <ul style="list-style-type: none"> • If Job level is selected, the entire job must be rescanned if any pages jam. • If Page level is selected, rescan from the jammed page forward.
Web Page Refresh Rate 30–300	Specifies the number of seconds between embedded Web page refreshes Note: 120 seconds is the factory default setting.
Contact Name <none>	Specifies a contact name for the printer Note: The contact name will be stored on the embedded Web page.
Location <none>	Specifies the location of the printer Note: The contact name will be stored on the embedded Web page.
Alarms Alarm Control Toner Alarm Staple Alarm Hole Punch Alarm	Sets an alarm to sound when the printer requires operator intervention Available selections for each alarm type are: Off Single Continuous Notes: <ul style="list-style-type: none"> • Single is the factory default setting for Alarm Control. Single sounds three quick beeps. • Off is the factory default setting for Toner Alarm, Staple Alarm, and Hole Punch Alarm. Off means no alarm will sound. • Continuous repeats three beeps every 10 seconds. • Stapler Alarm and Hole Punch Alarm are available only when the finisher is installed.

Menu item	Description
Timeouts Standby Mode Disabled 2–240	Specifies the number of minutes of inactivity before the system enters a lower power state Note: 15 minutes is the factory default setting.
Timeouts Power Saver Mode Disabled 2–240	Specifies the number of minutes of inactivity before some systems begin entering a minimum power state. Notes: <ul style="list-style-type: none"> • 60 minutes is the factory default setting. • Power Saver does not interact with Standby Mode. • Changing Power Saver should not cause Standby Mode to be changed.
Timeouts Screen Timeout 15–300	Sets the amount of time in seconds the printer waits before returning the printer display to a Ready state Note: 30 seconds is the factory default setting.
Timeouts Print Timeout Disabled 1–255	Sets the amount of time in seconds the printer waits to receive an end-of-job message before canceling the remainder of the print job Notes: <ul style="list-style-type: none"> • 90 seconds is the factory default setting. • When the timer expires, any partially printed page still in the printer is printed, and then the printer checks to see if any new print jobs are waiting. • Print Timeout is available only when using PCL or PPDS emulation. This setting has no effect on PostScript emulation print jobs.
Timeouts Wait Timeout Disabled 15–65535	Sets the amount of time in seconds the printer waits for additional data before canceling a print job Notes: <ul style="list-style-type: none"> • 40 seconds is the factory default setting. • Wait Timeout is available only when the printer is using PostScript emulation. This setting has no effect on PCL or PPDS emulation print jobs.
Timeouts Network Job Timeout 1–255	Sets the amount of time in seconds that a network print job can take before it is canceled Notes: <ul style="list-style-type: none"> • 90 seconds is the factory default setting. • A setting value of 0 disables the timeout. • If a value of 1–9 is selected, the setting will be saved as 10.

Menu item	Description
Print Recovery Auto Continue Disabled 5–255	Lets the printer automatically continue printing from certain offline situations when not resolved within the specified time period Notes: <ul style="list-style-type: none"> • Disabled is the factory default setting. • 5–255 is a range of time in seconds.
Print Recovery Jam Recovery On Off Auto	Specifies whether the printer reprints jammed pages Notes: <ul style="list-style-type: none"> • Auto is the factory default setting. The printer reprints jammed pages unless the memory required to hold the pages is needed for other printer tasks. • On sets the printer to always reprint jammed pages. • Off sets the printer to never reprint jammed pages.
Print Recovery Page Protect On Off	Lets the printer successfully print a page that may not have printed otherwise Notes: <ul style="list-style-type: none"> • Off is the factory default setting. Off prints a partial page when there is not enough memory to print the whole page. • On sets the printer to process the whole page so that the entire page prints.
Factory Defaults Do Not Restore Restore	Returns the printer settings to the factory default settings Notes: <ul style="list-style-type: none"> • Do Not Restore is the factory default setting. Do Not Restore keeps the user-defined settings. • Restore returns all printer settings to the factory default settings except Network/Ports menu settings. All downloads stored in RAM are deleted. Downloads stored in flash memory or on a printer hard disk are not affected.

Copy Settings menu

Menu item	Description
Content Text/Photo Photograph Printed Image Text	Specifies the type of content contained in the copy job Notes: <ul style="list-style-type: none"> • Text/Photo is the factory default setting. Text/Photo is used when the original documents are a mixture of text and graphics or pictures. • Photograph tells the scanner to pay extra attention to graphics and pictures. This setting increases the time it takes to scan, but emphasizes a reproduction of the full dynamic range of tones in the original document. This increases the amount of information saved. • Printed Image is used when jobs are composed primarily of images. Printed Image converts the images to halftone. Halftoning makes a grayscale or color image printable by transforming it to a pattern of small spots with a limited number of colors. • Text emphasizes sharp, black, high-resolution text against a clean, white background.
Color On Off	Specifies whether a copy job is printed in color
Allow Color copies On Off	Enables color copying
Duplex 1 sided to 1 sided 1 sided to 2 sided 2 sided to 1 sided 2 sided to 2 sided	Specifies whether an original document is duplex (two-sided) or simplex (one-sided), and then specifies whether the copy should be duplex or simplex Notes: <ul style="list-style-type: none"> • 1 sided to 1 sided—The original page has printing on one side. The copied page will have printing on one side. • 1 sided to 2 sided—The original page has printing on one side. The copied page will have printing on both sides. For example, if the original is six sheets, the copy is three sheets with printing on both sides. • 2 sided to 1 sided—The original page has printing on both sides. The copied page will have printing on only one side. For example, if the original draft is three sheets of paper with an image on each side of each sheet, then the copy is six sheets with only one image on one side of each sheet. • 2 sided to 2 sided—The original page has printing on both sides. The copy mimics the original exactly.
Print Page Borders On Off	Specifies if a border is printed around the edge of the page at the margins Note: On is the factory default setting.
Collate On Off	Keeps the pages of a print job stacked in sequence when making multiple copies of the job Note: On is the factory default setting.

Menu item	Description
Punch On Off	Enables hole punching Note: On is the factory default setting.
Staple On Off	Enables stapling Note: On is the factory default setting.
Original Size Letter Legal Executive Tabloid Folio A3 A4 A5 Statement JIS B4 JIS B5 Book Original Auto Size Sense Mixed Sizes	Specifies the paper size of the original document
Copy To Source Tray <x> Auto Size Match Manual Feeder	Provides a list of possible paper sources to send the copy job to for printing Note: Tray 1 is the factory default setting.
Transparency Separators On Off	Places a sheet of paper between transparencies Note: On is the factory default setting.
Separator Sheets None Between Pages Between Copies Between Jobs	Places a sheet of paper between pages, copies, or jobs based on the value selected Note: None is the factory default setting.
Separator Source Tray <x> Manual Feeder	Specifies a paper source
Darkness -5 to +5	Specifies the level of darkness for the copy job
Output Bin Standard Bin Bin 1	Specifies which output bin receives the copy after it is printed

Menu item	Description
Number of Copies <none>	Specifies the number of copies for the copy job
Overlay Off Urgent Confidential Copy Draft Custom	Specifies overlay text that is printed on each page of the copy job Note: Off is the factory default setting.
Custom <none>	Specifies custom overlay text
Allow priority copies On Off	Allows interruption of a print job to copy a page or document Note: On is the factory default setting.
Custom Job scanning On Off	Lets you copy in a single copy job a document that contains mixed paper sizes
Background Removal -4 to +4	Adjusts the amount of background visible on a copy
Scan edge to edge On Off	Specifies if the original document is scanned edge-to-edge prior to copying Note: Off is the factory default setting.
Color Balance Cyan - Red Magenta - Green Yellow - Blue	Adjusts color in printed output by increasing or decreasing the amount of toner being used for each color

Fax Settings menu

Fax Mode (Analog Fax Setup) menu

Analog Fax Setup mode sends the fax job by way of a telephone line.

General Fax Settings

Menu item	Description
Station Name <none>	Specifies the name of the fax within the printer
Station Number <none>	Specifies a number associated with the fax
Station ID Station Name Station Number	Specifies how the fax is identified

Menu item	Description
Enable Manual Fax On Off	Sets the printer to fax manually only, which requires a line splitter and a telephone hand set Notes: <ul style="list-style-type: none"> • Use a regular telephone to answer an incoming fax job and to dial a fax number. • Touch # 0 on the numeric keypad to go directly to the Manual Fax function.
Memory Use All receive Mostly receive Equal Mostly sent All send	Defines the amount of non-volatile memory used in relation to fax for a fax job Notes: <ul style="list-style-type: none"> • “All receive” specifies that all the memory is set to receive fax jobs. • “Mostly receive” specifies that most of the memory is set to receive fax jobs. • Equal is the factory default setting. Equal splits the memory for sending and receiving fax jobs into equal amounts. • “Mostly sent” specifies that most of the memory is set to send fax jobs. • “All send” specifies that all the memory is set to send fax jobs.
Cancel Faxes Allow Don't Allow	Specifies whether the printer may cancel fax jobs Note: If Cancel Faxes is not enabled, it will not appear as an option.
Fax number masking Off From left From right	Specifies the direction from which digits are masked in an outgoing fax number Note: The number of characters masked is determined by the “Digits to mask” setting.
Digits to mask 0–58	Specifies the number of digits to mask in an outgoing fax number

Fax Send Settings

Menu item	Description
Resolution Standard Fine Super Fine Ultra Fine	Specifies quality in dots per inch (dpi). A higher resolution gives greater print quality, but it increases the fax transmission time for outgoing faxes. Note: Standard is the factory default setting.
Original Size Letter Legal Executive Tabloid Folio Statement A3 A4 A5 JIS B4 JIS B5 Book Original 4 x 6 3 x 5 Business Card Auto Size Sense Mixed Sizes	Specifies the paper size of the document that is being scanned Note: Letter is the US factory default setting. A4 is the international factory default setting.
Duplex Off Long edge Short edge	Specifies how the text and graphics are oriented on the page Notes: <ul style="list-style-type: none"> • Off is the factory default setting. • Long edge assumes binding along the long edge of the page (left edge for portrait orientation and top edge for landscape orientation). • Short edge assumes binding along the short edge of the page (top edge for portrait orientation and left edge for landscape orientation).
Content Text/Photo Photograph Text	Specifies the type of content that will be scanned to fax Notes: <ul style="list-style-type: none"> • Text/Photo is the factory default setting. Text/Photo is used when the documents are mostly text or line art. • Photograph is used when the document is a high-quality photograph or inkjet print • Text is used when the document is mostly text.
Darkness -5 to +5	Lightens or darkens the output Note: 5 is the factory default setting.
Dial Prefix <none>	A numeric entry field is provided to enter numbers

Menu item	Description
Automatic Redial 0–9	Specifies the number of times the printer tries to send the fax to a specified number Note: 5 is the factory default setting.
Redial Frequency 1–200	Specifies the number of minutes between redials
Behind a PABX Off On	Enables switchboard blind dialing without a dial tone
Enable ECM On Off	Enables Error Correction Mode for fax jobs
Enable Fax Scans On Off	Lets you send faxes by scanning at the printer
Driver to fax On Off	Allows driver to fax jobs to be sent by the printer
Allow Save as Shortcut On Off	Lets you save fax numbers as shortcuts in the printer
Max Speed 2400 4800 9600 14400 33600	Specifies the maximum speed in baud at which faxes are sent
Custom Job scanning On Off	Lets you scan a document that contains mixed paper sizes into a single file
Scan Preview On Off	Specifies whether a preview will appear on the display for scan jobs
Background Removal -4 to +4	Adjusts the amount of background visible on a copy Note: 0 is the factory default setting.
Contrast Best for content 0–5	Specifies the contrast of the output Note: “Best for content” is the factory default setting.
Shadow Detail -4 to +4	Adjusts the amount of shadow detail visible on a copy Note: 0 is the factory default setting.

Menu item	Description
Scan edge to edge On Off	Specifies if the original document is scanned edge-to-edge Note: Off is the factory default setting.

Fax Receive Settings

Menu item	Description
Enable Fax Receive On Off	Allows fax jobs to be received by the printer Note: On is the factory default setting.
Rings to Answer 1–25	Specifies the number of rings before answering an incoming fax job Note: 1 is the factory default setting.
Auto Reduction On Off	Scales an incoming fax job so it fits the size of the paper loaded in the designated fax source Note: On is the factory default setting.
Paper Source Auto Tray <x> MP Feeder	Specifies the paper source selected to supply paper for the printer to print an incoming fax
Output Bin Standard Bin Bin 1	Specifies an output bin for received faxes Note: Bin 1 is available only when the finisher is installed.
Duplex On Off	Enables duplex printing (two-sided printing) for incoming fax jobs
Fax Footer On Off	Prints the transmission information at the bottom of each page from a received fax Note: On is the factory default setting.
Max Speed 2400 4800 9600 14400 33600	Specifies the maximum speed in baud at which faxes are received
Fax Forwarding Forward Print Print and Forward	Enables forwarding of received faxes to another recipient

Menu item	Description
Forward to Fax E-mail FTP LDSS	Specifies the type of recipient to which faxes will be forwarded Note: This item is available only from the printer embedded Web pages.
Forward to Shortcut <none>	Lets you enter the shortcut number which matches the recipient type (Fax, E-mail, FPT, ord LDSS)
Block No Name Fax On Off	Enables blocking of incoming faxes sent from devices with no station ID specified
Banned Fax List On Off	Enables the list of banned fax numbers stored in the printer
Punch 2 holes 3 holes 4 holes Off	Specifies the default hole punch setting for the attached finisher Note: Only the settings associated with the installed finisher appear.
Staple 1 staples 2 staples 4 staples Off	Specifies the default staple setting for the attached finisher Note: Only the settings associated with the installed finisher appear.

Fax Log Settings

Menu item	Description
Transmission Log Print log Do not print log Print only for error	Enables printing of a transmission log after each fax job
Receive Error Log Print Never Print on Error	Enables printing of a receive error log following a receive error
Auto Print Logs On Off	Enables automatic printing of fax logs Note: Logs print after every 200 jobs.
Log Paper Source Tray <x> MP Feeder	Selects the source of the paper used for printing logs

Menu item	Description
Logs Display Remote Station Name Dialed Number	Specifies whether printed logs display the dialed number or the station name returned
Enable Job Log On Off	Enables access the Fax Job log
Enable Call Log On Off	Enables access the Fax Call log
Log Output Bin Standard Bin Bin 1	Specifies the output bin where fax logs are printed

Speaker Settings

Menu item	Description
Speaker Mode Always Off On until Connected Always On	Notes: <ul style="list-style-type: none"> • Always Off turns the speaker off. • “On until Connected” is the factory default setting. The speaker is on and issues a noise until the fax connection is made. • Always On turns the speaker on.
Speaker Volume High Low	Controls the volume setting Note: High is the factory default setting.
Ringer Volume On Off	Controls the fax speaker ringer volume Note: On is the factory default setting.

Distinctive Rings

Menu item	Description
Single Ring On Off	Answers calls with a one-ring pattern Note: On is the factory default setting.
Double Ring On Off	Answers calls with a double-ring pattern Note: On is the factory default setting.
Triple Ring On Off	Triple Ring Answers calls with a triple-ring pattern Note: On is the factory default setting.

Fax Mode (Fax Server) menu

Fax Server mode sends the fax job to a fax server for transmission.

Fax Server Setup

Menu item	Description
To Format Reply Address Subject Message	Lets you enter the information using the virtual keyboard on the printer touch screen
Primary SMTP Gateway	Specifies SMTP server port information Note: 25 is the default SMTP gateway port.
Secondary SMTP Gateway	Specifies SMTP server port information Note: 25 is the default SMTP gateway port.
Image Format PDF (.pdf) TIFF (.tif)	Specifies the image type for scan to fax
Content Text Text/Photo Photograph	Specifies the type of content that will be scanned to fax Notes: <ul style="list-style-type: none"> • Text is used when the document is mostly text. • Text/Photo is the factory default setting. Text/Photo is used when the documents are mostly text or line art. • Photograph is used when the document is a high-quality photograph or inkjet print.
Fax Resolution Standard Fine Super Fine Ultra Fine	Specifies the resolution level for scan to fax
Darkness 5- to 5+	Lightens or darkens the output
Orientation Portrait Landscape	Specifies the orientation of the scanned image

Menu item	Description
Original Size Letter Legal Executive Tabloid Folio Statement A3 A4 A5 JIS B4 JIS B5 Book Original Auto Size Sense Mixed Sizes	Specifies the paper size of the document that is being scanned Note: Letter is the US factory default setting. A4 is the international factory default setting.
Use Multi-Page Tiff On Off	Provides a choice between single-page TIFF files and multiple-page TIFF files. For a multiple-page scan to fax job, either one TIFF file is created containing all the pages, or multiple TIFF files are created with one file for each page of the job. Notes: <ul style="list-style-type: none"> • On is the factory default setting. • This menu item applies to all scan functions.

E-mail Settings menu

Menu item	Description
Format PDF (.pdf)	Specifies the format of the file
PDF Version 1.2–1.6	Sets the version of the PDF file that will be scanned to e-mail
Content Text/Photo Photograph Text	Specifies the type of content that will be scanned to e-mail Notes: <ul style="list-style-type: none"> • Text/Photo is the factory default setting. Text/Photo is used when the documents are mostly text or line art. • Photograph is used when the document is a high-quality photograph or inkjet print. • Text is used when the document is mostly text.
Color Gray Color	Specifies whether a job prints in grayscale or color Note: Gray is the factory default setting.

Menu item	Description
Resolution 75 150 200 300 400 600	Specifies how many dots per inch are scanned Note: 150 dpi is the factory default setting.
Darkness -5 to +5	Lightens or darkens the output Note: 5 is the factory default setting.
Orientation Portrait Landscape	Specifies the orientation of the scanned image Note: Portrait is the factory default setting.
Original Size Letter Legal Executive Tabloid Folio A3 A4 A5 Statement JIS B4 JIS B5 Book Original Auto Size Sense Mixed Sizes	Specifies the paper size of the document that is being scanned Note: Letter is the US factory default setting. A4 is the international factory default setting.
Duplex Off Long edge Short edge	Specifies how the text and graphics are oriented on the page Notes: <ul style="list-style-type: none"> • Off is the factory default setting. • Long edge assumes binding along the long edge of the page (left edge for portrait orientation and top edge for landscape orientation). • Short edge assumes binding along the short edge of the page (top edge for portrait orientation and left edge for landscape orientation).
Photo JPEG Quality 5–90	Sets the quality of a JPEG photo image in relation to file size and the quality of the image Notes: <ul style="list-style-type: none"> • 50 is the factory default setting. • 5 reduces the file size, but the quality of the image is lessened. • 90 provides the best image quality, but the file size is very large. • This menu item applies to all scan functions.

Menu item	Description
JPEG Quality 5–90	Sets the quality of a JPEG text or text/photo image in relation to file size and the quality of the image Notes: <ul style="list-style-type: none"> • 75 is the factory default setting. • 5 reduces the file size, but the quality of the image is lessened. • 90 provides the best image quality, but the file size is very large. • This menu item applies to Text, Text/Photo, and all scan functions.
E-mail images sent as Attachment Web Link	Specifies how the images will be sent Note: Attachment is the factory default setting.
Use Multi-Page TIFF On Off	Provides a choice between single-page TIFF files and multiple-page TIFF files. For a multiple-page scan to e-mail job, either one TIFF file is created containing all the pages, or multiple TIFF files are created with one file for each page of the job. Notes: <ul style="list-style-type: none"> • On is the factory default setting. • This menu item applies to all scan functions.
Transmission Log Print log Do not print log Print only for error	Specifies whether the transmission log prints Note: Print log is the factory default setting.
Log Paper Source Tray <x> Manual Feeder	Specifies a paper source for printing e-mail logs Note: Tray 1 is the factory default setting.
Log Output Bin Standard Bin Bin 1	Specifies an output bin for the printed e-mail log
E-mail Bit Depth 8 bit 1 bit	Enables the Text/Photo mode to have smaller file sizes by using 1-bit images when Color is set to Off. Note: 8 bit is the factory default setting.
Custom Job scanning On Off	Lets you copy a document that contains mixed paper sizes into a single job
Scan Preview On Off	Specifies whether a preview will appear on the display for scan jobs Note: Off is the factory default setting.

Menu item	Description
Allow Save as Shortcut On Off	Lets you save e-mail addresses as shortcuts at the device Notes: <ul style="list-style-type: none"> • Off is the factory default setting. • When set to No, the Save as Shortcut button does not appear on the E-mail Destination screen.
Background Removal -4 to +4	Adjusts the amount of background visible on a copy. Note: 0 is the factory default setting.
Contrast Best for content 0–5	Specifies the contrast of the output Note: “Best for content” is the factory default setting.
Shadow Detail -4 to +4	Adjusts the amount of shadow detail visible on a copy Note: 0 is the factory default setting.
Scan edge to edge On Off	Specifies if the original document is scanned edge-to-edge Note: Off is the factory default setting.

E-mail Server Setup menu

Use the following menu to configure the SMTP e-mail server.

Menu item	Description
E-mail Server Setup Primary SMTP Gateway Primary SMTP Gateway Port Secondary SMTP Gateway Secondary SMTP Gateway Port	Specifies SMTP server port information Note: 25 is the default SMTP gateway port.
E-mail Server Setup SMTP Timeout 5–30	Specifies the amount of time in seconds before the server stops trying to send the e-mail Note: 30 seconds is the factory default setting.
E-mail Server Setup SMTP Server Authentication Off Device Userid and password User ID and password User e-mail and password	Specifies the type of user authentication required for scan to e-mail privileges Note: Off is the factory default setting.
E-mail Server Setup Device Userid Password Reply Address Subject Message	Specifies e-mail server information Note: The message box has a limitation of 512 characters.

Menu item	Description
E-mail Server Setup Send me a copy Never appears On by default Off by default Always On	Sends a copy of the e-mail back to the creator of the e-mail
E-mail Server Setup Max e-mail size 0–65535 kB	Specifies the maximum e-mail size in kilobytes Note: E-mail above the specified size is not sent.
E-mail Server Setup Size Error Message	Sends a message when an e-mail is greater than the configured size limit
E-mail Server Setup Limit destinations	Sends an e-mail only when the address contains the domain name, such as a company domain name Notes: <ul style="list-style-type: none"> • E-mail can only be sent to the specified domain. • The limit is one domain.
E-mail Server Setup Web Link Setup Server Login Password Path Base file name Web Link	Defines the path name Note: Defines the path. For example: /directory/path The following characters or symbols are invalid entries for a path name: * : ? < > .

FTP Settings menu

Menu item	Description
Format PDF (.pdf) Secure PDF TIFF (.tif) JPEG (.jpg)	Specifies the format of the FTP file Note: PDF (.pdf) is the factory default setting.
PDF Version 1.2–1.6	Sets the version level of the PDF file for FTP Note: 1.5 is the factory default setting.

Menu item	Description
Content Text/Photo Photograph Text	Specifies the type of content that will be scanned to FTP Notes: <ul style="list-style-type: none"> • Text/Photo is the factory default setting. Text/Photo is used when the documents are mostly text or line art. • Photograph is used when the document is a high-quality photograph or inkjet print • Text is used when the document is mostly text.
Color Gray Color	Specifies whether a job prints in grayscale or color Note: Gray is the factory default setting.
Resolution 75 150 200 300 400 600	Specifies how many dots per inch are scanned Note: 150 dpi is the factory default setting.
Darkness -5 to +5	Lightens or darkens the output Note: 5 is the factory default setting.
Orientation Portrait Landscape	Specifies the orientation of the scanned image Note: Portrait is the factory default setting.
Original Size Letter Legal Executive Tabloid Folio Statement A3 A4 A5 JIS B4 JIS B5 Book Original 4 x 6 3 x 5 Business Card Auto Size Sense Mixed Sizes	Specifies the paper size of the document that is being scanned Note: Letter is the US factory default setting. A4 is the international factory default setting.

Menu item	Description
Duplex Off Long edge Short edge	Specifies how the text and graphics are oriented on the page Notes: <ul style="list-style-type: none"> • Off is the factory default setting. • Long edge assumes binding along the long edge of the page (left edge for portrait orientation and top edge for landscape orientation). • Short edge assumes binding along the short edge of the page (top edge for portrait orientation and left edge for landscape orientation).
Photo JPEG Quality 5–90	Sets the quality of a JPEG photo image in relation to file size and the quality of the image Notes: <ul style="list-style-type: none"> • 50 is the factory default setting. • 5 reduces the file size, but the quality of the image is lessened. • 90 provides the best image quality, but the file size is very large. • This menu item applies to all scan functions.
JPEG Quality 5–90	Sets the quality of a JPEG text or text/photo image in relation to file size and the quality of the image Notes: <ul style="list-style-type: none"> • 75 is the factory default setting. • 5 reduces the file size, but the quality of the image is lessened. • 90 provides the best image quality, but the file size is very large. • This menu item applies to Text, Text/Photo, and all scan functions.
Use Multi-Page TIFF On Off	Provides a choice between single-page TIFF files and multiple-page TIFF files. For a multiple-page scan to FTP job, either one TIFF file is created containing all the pages, or multiple TIFF files are created with one file for each page of the job. Notes: <ul style="list-style-type: none"> • On is the factory default setting. • This menu item applies to all scan functions.
Transmission Log Print log Do not print log Print only for error	Specifies whether the transmission log prints Note: Print log is the factory default setting.
Log Paper Source Tray <x> Manual Feeder	Specifies a paper source for FTP logs Note: Tray 1 is the factory default setting.
Log Output Bin Standard Bin Bin 1	Specifies an output bin for the FTP log

Menu item	Description
FTP bit Depth 8 bit 1 bit	Enables the Text/Photo mode to have smaller file sizes by using 1-bit images when Color is set to Off Note: 8 bit is the factory default setting.
Base File Name <none>	Lets you enter a base file name
Custom Job Scanning On Off	Lets you copy a document that contains mixed paper sizes into a single job
Scan Preview On Off	Specifies whether a preview will appear on the display for scan jobs Note: Off is the factory default setting.
Allow Save as Shortcut On Off	Enables shortcut creation for FTP addresses Note: On is the factory default setting.
Background Removal -4 to +4	Adjusts the amount of background visible on a copy Note: 0 is the factory default setting.
Contrast Best for Content 0–5	Specifies the contrast of the output Note: Best for content is the factory default setting.
Shadow Detail -4 to +4	Adjusts the amount of shadow detail visible on a copy Note: 0 is the factory default setting.
Scan edge to edge On Off	Specifies if the original document is scanned edge-to-edge Note: Off is the factory default setting.

Scan to USB Settings

Menu item	Description
Format PDF (.pdf) Secure PDF TIFF (.tif) JPEG (.jpg)	Specifies the format of the file
PDF Version 1.2–1.6	Sets the version of the PDF file that will be scanned to USB

Menu item	Description
Content Text/Photo Photograph Text	Specifies the type of content that will be scanned to USB Notes: <ul style="list-style-type: none"> • Text/Photo is the factory default setting. Text/Photo is used when the documents are mostly text or line art. • Photograph is used when the document is a high-quality photograph or inkjet print • Text is used when the document is mostly text.
Color Gray Color	Specifies whether job prints in grayscale or color Note: Gray is the factory default setting.
Resolution 75 150 200 300 400 600	Specifies how many dots per inch are scanned Note: 150 dpi is the factory default setting.
Darkness -5 to +5	Lightens or darkens the output Note: 5 is the factory default setting.
Orientation Portrait Landscape	Specifies the orientation of the scanned image Note: Portrait is the factory default setting.
Original Size Letter Legal Executive Tabloid Folio Statement A3 A4 A5 JIS B4 JIS B5 Book Original 4 x 6 3 x 5 Business Card Auto Size Sense Mixed Sizes	Specifies the paper size of the document that is being scanned Note: Letter is the US factory default setting. A4 is the international factory default setting.

Menu item	Description
Duplex Off Long edge Short edge	Specifies how the text and graphics are oriented on the page Notes: <ul style="list-style-type: none"> • Off is the factory default setting. • Long edge assumes binding along the long edge of the page (left edge for portrait orientation and top edge for landscape orientation). • Short edge assumes binding along the short edge of the page (top edge for portrait orientation and left edge for landscape orientation).
Photo JPEG Quality 5–90	Sets the quality of a JPEG photo image in relation to file size and the quality of the image Notes: <ul style="list-style-type: none"> • 50 is the factory default setting. • 5 reduces the file size, but the quality of the image is lessened. • 90 provides the best image quality, but the file size is very large. • This menu item applies to all scan functions.
JPEG Quality 5–90	Sets the quality of a JPEG text or text/photo image in relation to file size and the quality of the image. Notes: <ul style="list-style-type: none"> • 75 is the factory default setting. • 5 reduces the file size, but the quality of the image is lessened. • 90 provides the best image quality, but the file size is very large. • This menu item applies to Text, Text/Photo, and all scan functions.
Use Multi-Page TIFF On Off	Provides a choice between single-page TIFF files and multiple-page TIFF files. For a multiple-page scan to USB job, either one TIFF file is created containing all the pages, or multiple TIFF files are created with one file for each page of the job. Notes: <ul style="list-style-type: none"> • On is the factory default setting. • This menu item applies to all scan functions.
Scan bit Depth 8 bit 1 bit	Enables the Text/Photo mode to have smaller file sizes by using 1-bit images when Color is set to Off Note: 8 bit is the factory default setting.
Base File Name <none>	Enter a base file name
Custom Job scanning Off On	Lets you copy a document that contains mixed paper sizes into a single job
Scan Preview On Off	Specifies whether a preview will appear on the display for scan jobs Note: Off is the factory default setting.

Menu item	Description
Background Removal -4 to +4	Adjusts the amount of background visible on a copy Note: 0 is the factory default setting.
Contrast Best for content 0–5	Specifies the contrast of the output Note: “Best for content” is the factory default setting.
Shadow Detail -4 to +4	Adjusts the amount of shadow detail visible on a copy Note: 0 is the factory default setting.
Scan edge to edge On Off	Specifies if the original document is scanned edge-to-edge Note: Off is the factory default setting.

Print Settings

Finishing menu

Menu item	Description
Duplex On Off	Specifies whether duplex (2-sided) printing is set as the default for all print jobs Notes: <ul style="list-style-type: none"> • Off is the factory default setting. • To set 2-sided printing from the software program, click File → Print, and then click Properties, Preferences, Options, or Setup.
Duplex Bind Long Edge Short Edge	Defines the way duplexed pages are bound and how the printing on the back of the page is oriented in relation to the printing on the front of the page Notes: <ul style="list-style-type: none"> • Long Edge is the factory default setting. • Long Edge specifies that binding be placed on the left edge of portrait pages and the top edge of landscape pages. • Short Edge specifies that binding be placed on the top edge of portrait pages and the left edge of landscape pages.
Copies 1–999	Specifies a default number of copies for each print job Notes: <ul style="list-style-type: none"> • 1 is the factory default setting. • To specify the number of copies for a specific print job, from the software program, click File → Print, and then click Properties, Preferences, Options, or Setup. Software settings always override control panel settings.
Blank Pages Do Not Print Print	Specifies whether blank pages are inserted in a print job Note: Do Not Print is the factory default setting.

Menu item	Description
Collation On Off	Stacks the pages of a print job in sequence when printing multiple copies Notes: <ul style="list-style-type: none"> • Off is the factory default setting. No pages will be collated. • The On setting stacks the print job sequentially. • Both settings print the entire job the number of times specified by the Copy menu setting.
Separator Sheets None Between Copies Between Jobs Between Pages	Specifies whether blank separator sheets are inserted Notes: <ul style="list-style-type: none"> • None is the factory default setting. • Between Copies inserts a blank sheet between each copy of a print job if Collation is set to On. If Collation is set to Off, a blank page is inserted between each set of printed pages, such as after all page 1's, all page 2's, and so on. • Between Jobs inserts a blank sheet between print jobs. • Between Pages inserts a blank sheet between each page of the print job. This setting is useful when printing transparencies or inserting blank pages in a document for notes.
Separator Source Tray <x> MP Feeder	Specifies the paper source for separator sheets Notes: <ul style="list-style-type: none"> • Tray 1 (standard tray) is the factory default setting. • From the Paper menu, Configure MP must be set to Cassette in order for MP Feeder to appear as a menu setting.
Multipage Print Off 2 Up 3 Up 4 Up 6 Up 9 Up 12 Up 16 Up	Specifies that multiple-page images be printed on one side of a sheet of paper. This is also referred to as N-up or Paper Saver. Notes: <ul style="list-style-type: none"> • Off is the factory default setting. • The number selected is the number of page images that will print per side.
Multipage Order Horizontal Vertical Reverse Horizontal Reverse Vertical	Specifies the positioning of multiple-page images when using Multipage Print Notes: <ul style="list-style-type: none"> • Horizontal is the factory default setting. • Positioning depends on the number of images and whether the images are in portrait or landscape orientation.

Menu item	Description
Multipage View Auto Long Edge Short Edge	Specifies the orientation of a multiple-page sheet Notes: <ul style="list-style-type: none"> • Auto is the factory default setting. The printer chooses between portrait and landscape. • Long Edge uses landscape. • Short Edge uses portrait.
Multipage Border None Solid	Prints a border around each page image when using Multipage Print Note: None is the factory default setting.
Staple Job Off Auto Front Back 2 Staples 4 Staples	Specifies the number and position of staples on a print job Notes: <ul style="list-style-type: none"> • This menu is available only when the finisher is installed. • Off is the factory default setting. Print jobs are not stapled. • Auto corner staples every print job. • Envelopes are not stapled.
Hole Punch On Off	Specifies whether a print job receives hole-punch finishing Notes: <ul style="list-style-type: none"> • This menu is available only when the finisher is installed. • Off is the factory default setting. Print jobs are not hole punched. • The On setting instructs the finisher to hole punch every print job.
Hole Punch Mode 2 holes 3 holes 4 holes	Specifies the number of holes punched Notes: <ul style="list-style-type: none"> • 3 is the US factory default setting. The 3 holes setting is available only for the 3-hole finisher. • 4 is the international factory default setting. The 4 holes setting is available only for the 4-hole finisher. • This menu is available only when the finisher is installed.
Offset Pages None Between Copies Between Jobs	Stacks copies or print jobs into staggered sets in an output bin Notes: <ul style="list-style-type: none"> • None is the factory default setting. No pages are offset during the print job. • Between Copies offsets each copy of a print job. • Between Jobs offsets each print job.

Quality menu

Menu item	Description
Print Mode Color Black Only	Specifies whether images are printed in grayscale or in color Note: Color is the factory default setting.
Color Correction Auto Off Manual	Adjusts the color output on the printed page Notes: <ul style="list-style-type: none"> • Auto is the factory default setting. Auto applies different color conversion tables to each object on the printed page. • Off turns off color correction. • Manual allows customization of the color tables using the settings available from the Manual Color menu. • Due to the differences in additive and subtractive colors, certain colors that appear on computer monitors are impossible to duplicate on the printed page.
Print Resolution 2400 IQ	Specifies the printed output resolution Note: 2400 IQ is the factory default setting.
Toner Darkness 1–5	Lightens or darkens the printed output Notes: <ul style="list-style-type: none"> • 4 is the factory default setting. • Selecting a smaller number can help conserve toner. • If Print Mode is set to Black Only, a setting of 5 increases toner density and darkness to all print jobs. • If Print Mode is set to Color, a setting of 5 is the same as a setting of 4.
Color Saver On Off	Reduces the amount of toner used for graphics and images. The amount of toner used for text is not reduced. Notes: <ul style="list-style-type: none"> • Off is the factory default setting. • On overrides Toner Darkness settings.
RGB Brightness -6 to +6	Adjusts brightness in color outputs Notes: <ul style="list-style-type: none"> • 0 is the factory default setting. • -6 is the maximum decrease. 6 is the maximum increase. • This does not affect files where CMYK color specifications are being used.
RGB Contrast 0–5	Adjusts contrast in color outputs Notes: <ul style="list-style-type: none"> • 0 is the factory default setting. • This does not affect files where CMYK color specifications are being used.

Menu item	Description
RGB Saturation 0–5	Adjusts saturation in color outputs Notes: <ul style="list-style-type: none"> • 0 is the factory default setting. • This does not affect files where CMYK color specifications are being used.
Color Balance Cyan -5–5 Magenta -5–5 Yellow -5–5 Black -5–5 Reset Defaults	Adjusts color in printed output by increasing or decreasing the amount of toner being used for each color Note: 0 is the factory default setting.
Color Samples sRGB Display sRGB Vivid Display—True Black Vivid Off—RGB US CMYK Euro CMYK Vivid CMYK Off—CMYK	Prints sample pages for each of the RGB and CMYK color conversion tables used in the printer Notes: <ul style="list-style-type: none"> • Selecting any setting prints the sample. • Color samples consist of a series of colored boxes along with the RGB or CMYK combination that creates the color observed. These pages can be used to help decide which combinations to use to get the desired printed output. • From a browser window, type the IP address of the printer to access a complete list of color sample pages from the Embedded Web Server.
Manual Color RGB Image Vivid sRGB Display Display—True Black sRGB Vivid Off RGB Text Vivid sRGB Display Display—True Black sRGB Vivid Off RGB Graphics Vivid sRGB Display Display—True Black sRGB Vivid Off	Customizes the RGB color conversions Notes: <ul style="list-style-type: none"> • sRGB Display is the factory default setting for RGB Image. This applies a color conversion table to an output that matches the colors displayed on a computer monitor. • sRGB Vivid is the factory default setting for RGB Text and RGB Graphics. sRGB Vivid applies a color table that increases saturation. This is preferred for business graphics and text. • Vivid applies a color conversion table that produces brighter, more saturated colors. • Display—True Black applies a color conversion table that uses only black toner for neutral gray colors. • Off turns off color conversion.

Menu item	Description
Manual Color CMYK Image US CMYK Euro CMYK Vivid CMYK Off CMYK Text US CMYK Euro CMYK Vivid CMYK Off CMYK Graphics US CMYK Euro CMYK Vivid CMYK Off	Customizes the CMYK color conversions Notes: <ul style="list-style-type: none"> • US CMYK is the US factory default setting. US CMYK applies a color conversion table that tries to produce output that matches SWOP color output. • Euro CMYK is the international factory default setting. Euro CMYK applies a color conversion table that tries to produce output that matches EuroScale color output. • Vivid CMYK increases color saturation for the US CMYK color conversion table. • Off turns off color conversion.
Color Adjust <none>	Initiates color calibration

Utilities menu

Menu item	Description
Factory Defaults Do Not Restore Restore Now	Returns the printer settings to the factory default settings Notes: <ul style="list-style-type: none"> • Do Not Restore is the factory default setting. Do Not Restore keeps the user-defined settings. • All printer settings are returned to factory default settings except Display Language and the settings in the Parallel menu, Serial menu, Network menu, and USB menu. • All downloads stored in RAM are deleted. Downloads stored in flash memory or on the printer hard disk are not affected.
Format Disk Yes No	Formats the printer hard disk Notes: <ul style="list-style-type: none"> • A printer hard disk must be installed in the printer and operating properly for this menu item to be available. The disk must not be Read/Write or Write protected. • No cancels the format request. • Selecting Yes deletes all stored data and reformats the printer hard disk.

Menu item	Description
Job Acct Stat Print Clear	Prints a list of all stored job statistics or deletes the information from the printer hard disk Notes: <ul style="list-style-type: none"> • A printer hard disk must be installed in the printer and operating properly for this menu item to be available. • Selecting Print prints a list of statistics. • Clear deletes all job statistics stored on the printer hard disk. Clearing job account statistics appears on the display. • The Clear selection will not appear if Job Accounting is set to MarkTrack™.
Activate Hex Trace <none>	Assists in isolating the source of a print job problem Notes: <ul style="list-style-type: none"> • When Hex Trace is activated, all data sent to the printer is printed in hexadecimal and character representation and control codes are not executed. • To exit Hex Trace, turn the printer off, or reset the printer.
Coverage Estimator Off On	Provides an estimate of the percentage coverage of cyan, magenta, yellow, and black on a page. The estimate is printed on a separator page. Note: Off is the factory default setting.

Setup menu

Menu item	Description
Printer Language PS Emulation PCL Emulation	Specifies the printer language used to communicate data from the computer to the printer Notes: <ul style="list-style-type: none"> • PCL emulation uses a PCL interpreter for processing print jobs. PostScript emulation uses a PS interpreter for processing print jobs. PPDS emulation uses a PPDS interpreter for processing print jobs. • The factory default printer language varies depending on the type of printer purchased. • Setting a printer language as the default does not prevent a program from sending print jobs that use another printer language.
Resource Save Off On	Specifies how the printer handles temporary downloads, such as fonts and macros stored in RAM, when the printer receives a job that requires more memory than is available Notes: <ul style="list-style-type: none"> • Off is the factory default setting. Off sets the printer to retain the downloads only until memory is needed. Downloads are deleted in order to process print jobs. • The On setting retains the downloads during language changes and printer resets. If the printer runs out of memory, 38 Memory Full appears, and downloads are not deleted.

Menu item	Description
Black Only Mode Off On	Prints all text and graphics using only the black toner cartridge
Printer Usage Max Speed Max Yield	Specifies how the printer processes jobs with black and white and color information Notes: <ul style="list-style-type: none"> • Max Speed prints in a black only mode until it receives a page with color content. Then, it prints in color and does not switch to black only until it receives ten consecutive black-and-white pages. • Max Yield switches from black to color mode based on the color content found on each page.
Download Target RAM Disk	Sets the storage location for downloads Notes: <ul style="list-style-type: none"> • RAM is the factory default setting. • Storing downloads in flash memory or on a printer hard disk places them in permanent storage. Downloads remain in flash memory or on the printer hard disk even when the printer is turned off. • Storing downloads in RAM is temporary.
Job Accounting Off On	Specifies whether to store statistical information about the most recent print jobs on the hard disk Notes: <ul style="list-style-type: none"> • Statistical information includes whether the job printed with errors, the print time, the job size (in bytes), the requested paper size and type, the total number of printed pages, and the number of copies requested. • Job Accounting appears only when the hard disk is installed and working.
Print Area Normal Whole Page	Modifies the logical and physical print area Notes: <ul style="list-style-type: none"> • Normal is the factory default setting. When attempting to print data in the non-printable area defined by the Normal setting, the printer clips the image at the boundary. • The Whole Page setting allows the image to be moved into the non-printable area defined by the Normal setting, but the printer will clip the image at the Normal setting boundary. • The Whole Page setting only affects pages printed using a PCL 5e interpreter. This setting has no effect on pages printed using the PCL XL, PPDS, or PostScript interpreter.

Menu item	Description
Factory Defaults Do Not Restore Restore Now	Returns the printer settings to the factory default settings Notes: <ul style="list-style-type: none"> • Do Not Restore is the factory default setting. Do Not Restore keeps the user-defined settings. • Restore returns all printer settings to the factory default settings except Network/Ports menu settings. All downloads stored in RAM are deleted. Downloads stored in flash memory or on a printer hard disk are not affected.

PostScript menu

Menu item	Description
Print PS Error On Off	Prints a page containing the PostScript error Note: Off is the factory default setting.
Font Priority Resident Flash/Disk	Establishes the font search order Notes: <ul style="list-style-type: none"> • Resident is the factory default setting. • A formatted flash memory option card or printer hard disk must be installed in the printer and operating properly for this menu item to be available. • The flash memory option or printer hard disk cannot be Read/Write, Write, or password protected. • Job Buffer Size must not be set to 100%.
Image Smoothing On Off	Enhances the contrast and sharpness of low-resolution images and smooths their color transitions Notes: <ul style="list-style-type: none"> • Off is the factory default setting. • Image Smoothing has no effect on images that are 300 dpi or higher in resolution.

PCL Emul menu

Menu item	Description
Font Source Resident Disk Flash Download All	Specifies the set of fonts used by the Font Name menu item Notes: <ul style="list-style-type: none"> • Resident is the factory default setting. It shows the factory default set of fonts downloaded into RAM. • Flash and Disk settings show all fonts resident in that option. • Flash option must be properly formatted and cannot be Read/Write, Write, or password protected. • Download shows all the fonts downloaded into RAM. • All shows all fonts available to any option.
Font Name RO Courier	Identifies a specific font and the option where it is stored Notes: <ul style="list-style-type: none"> • RO Courier is the factory default setting. • RO Courier shows the font name, font ID, and storage location in the printer. The font source abbreviation is R for Resident, F for Flash, K for Disk, and D for download.
Symbol Set 10U PC-8 12U PC-850	Specifies the symbol set for each font name Notes: <ul style="list-style-type: none"> • 10U PC-8 is the US factory default setting. • 12U PC-850 is the international factory default setting. • A symbol set is a set of alphabetic and numeric characters, punctuation, and special symbols. Symbol sets support the different languages or specific programs such as math symbols for scientific text. Only the supported symbol sets are shown.
PCL Emulation Settings Point Size 1.00–1008.00	Changes the point size for scalable typographic fonts Notes: <ul style="list-style-type: none"> • 12 is the factory default setting. • Point Size refers to the height of the characters in the font. One point equals approximately 1/72 of an inch. • Point sizes can be increased or decreased in 0.25-point increments.
PCL Emulation Settings Pitch 0.08–100	Specifies the font pitch for scalable monospaced fonts Notes: <ul style="list-style-type: none"> • 10 is the factory default setting. • Pitch refers to the number of fixed-space characters per inch (cpi). • Pitch can be increased or decreased in 0.01-cpi increments. • For nonscalable monospaced fonts, the pitch appears on the display but cannot be changed.

Menu item	Description
PCL Emulation Settings Orientation Portrait Landscape	Specifies the orientation of text and graphics on the page Notes: <ul style="list-style-type: none"> • Portrait is the factory default setting. • Portrait prints text and graphics parallel to the short edge of the page. • Landscape prints text and graphics parallel to the long edge of the page.
PCL Emulation Settings Lines per Page 1–255 60 64	Specifies the number of lines that print on each page Notes: <ul style="list-style-type: none"> • 60 is the US factory default setting. 64 is the international default setting. • The printer sets the amount of space between each line based on the Lines per Page, Paper Size, and Orientation settings. Select the desired Paper Size and Orientation before setting Lines per Page.
PCL Emulation Settings A4 Width 198 mm 203 mm	Sets the printer to print on A4-size paper Notes: <ul style="list-style-type: none"> • 198 mm is the factory default setting. • The 203-mm setting sets the width of the page to allow the printing of eighty 10-pitch characters.
PCL Emulation Settings Auto CR after LF On Off	Specifies whether the printer automatically performs a carriage return (CR) after a line feed (LF) control command Notes: <ul style="list-style-type: none"> • Off is the factory default setting. • Setting alterations are duplicated in the PPDS menu.
PCL Emulation Settings Auto LF after CR On Off	Specifies whether the printer automatically performs a line feed (LF) after a carriage return (CR) control command Notes: <ul style="list-style-type: none"> • Off is the factory default setting. • Setting alterations are duplicated in the PPDS menu.

Menu item	Description
Tray Renumber Assign MP Feeder Off None 0–199 Assign Tray <x> Off None 0–199 Assign Manual Paper Off None 0–199 Assign Man Env Off None 0–199	Configures the printer to work with printer software or programs that use different source assignments for trays, drawers, and feeders Notes: <ul style="list-style-type: none"> • Off is the factory default setting. • None is not an available selection. It is only displayed when it is selected by the PCL 5 interpreter. • None ignores the Select Paper Feed command. • 0–199 allows a custom setting to be assigned.
Tray Renumber View Factory Def None	Displays the factory default setting assigned to each tray, drawer, or feeder
Tray Renumber Restore Defaults Yes No	Returns all tray, drawer, and feeder assignments to the factory default settings

PDF menu

Menu item	Description
Scale to Fit No Yes	Scales page content to fit the selected page size Note: No is the factory default setting.
Annotations Do Not Print Print	Specifies whether to print annotations in the PDF Note: Do Not Print is the factory default setting.

HTML menu

Menu item		Description
Font Name Albertus MT Antique Olive Apple Chancery Arial MT Avant Garde Bodoni Bookman Chicago Clarendon Cooper Black Copperplate Coronet Courier Eurostile Garamond Geneva Gill Sans Goudy Helvetica Hoefler Text	Intl CG Times Intl Courier Intl Univers Joanna MT Letter Gothic Lubalin Gothic Marigold MonaLisa Recut Monaco New CenturySbk New York Optima Oxford Palatino StempelGaramond Taffy Times TimesNewRoman Univers Zapf Chancery	Sets the default font for HTML documents Note: The Times font will be used in HTML documents that do not specify a font.

Menu item	Description
Font Size 1–255 pt	Sets the default font size for HTML documents Notes: <ul style="list-style-type: none"> • 12 pt is the factory default setting. • Font size can be increased in 1-point increments.
Scale 1–400%	Scales the default font for HTML documents Notes: <ul style="list-style-type: none"> • 100% is the factory default setting. • Scaling can be increased in 1% increments.
Orientation Portrait Landscape	Sets the page orientation for HTML documents Note: Portrait is the factory default setting.
Margin Size 8–255 mm	Sets the page margin for HTML documents Notes: <ul style="list-style-type: none"> • 19 mm is the factory default setting. • Margin size can be increased in 1-mm increments.

Menu item	Description
Backgrounds Do Not Print Print	Specifies whether to print backgrounds on HTML documents Note: Print is the factory default setting.

Image menu

Menu item	Description
Auto Fit On Off	Selects the optimal paper size, scaling, and orientation Notes: <ul style="list-style-type: none"> • On is the factory default setting. • The On setting overrides scaling and orientation settings for some images.
Invert On Off	Inverts bi-tonal monochrome images Notes: <ul style="list-style-type: none"> • Off is the factory default setting. • The font size can be increased in 1-point increments. • This setting does not apply to GIF or JPEG images.
Scaling Anchor Top Left Best Fit Anchor Center Fit Height/Width Fit Height Fit Width	Scales the image to fit the selected paper size Notes: <ul style="list-style-type: none"> • Best Fit is the factory default setting. • When Auto Fit is set to On, Scaling is automatically set to Best Fit.
Orientation Portrait Landscape Rev Portrait Rev Landscape	Sets the image orientation Note: Portrait is the factory default setting.

Security menu

Menu item	Description
Authentication Mode Authentication disabled NTLM LDAP LDAP and GSSAPI Internal Kerberos 5	Specifies the authentication method Notes: <ul style="list-style-type: none"> • Authentication disabled is the factory default setting. • If “Authentication disabled” is selected, Function Access settings requiring user IDs or passwords are ignored. • For LDAP and LDAP + GSSAPI, use the printer Embedded Web Server interface.
Auto 'Log out' delay 1–60	Sets a delay in seconds at the home screen before an authenticated user is automatically logged off Note: 3 is the factory default setting.
Scan to PC Port Range <none>	Used by the system support person who has a portblocking firewall between the printer and their users
Function Access Menus Enable Disable	Enables access to the menus Note: Enable is the factory default setting.
Function Access Copy Access No authentication required Require User ID only Require User ID and Password Function disabled	Enables access to copy functions Notes: <ul style="list-style-type: none"> • Enable is the factory default setting. • If Function Disabled is selected, the menu item does not appear on the display.
Function Access Fax Access No authentication required Require User ID only Require User ID and Password Function disabled	Enables access to the scan to fax functions Notes: <ul style="list-style-type: none"> • Enable is the factory default setting. • If Function Disabled is selected, the menu item does not appear on the display.
Function Access E-mail No authentication required Require User ID only Require User ID and Password Function disabled	Enables access to the scan to e-mail functions

Menu item	Description
<p>Function Access</p> <p>FTP Access</p> <p>No authentication required</p> <p>Require User ID only</p> <p>Require User ID and Password</p> <p>Function disabled</p>	<p>Enables access to the scan to FTP functions</p>
<p>Function Access</p> <p>Held Jobs Access</p> <p>No authentication required</p> <p>Require User ID only</p> <p>Require User ID and Password</p> <p>Function disabled</p>	<p>Enables access to held jobs</p>
<p>Function Access</p> <p>Flash Drive Scan</p> <p>No authentication required</p> <p>Require User ID only</p> <p>Require User ID and Password</p> <p>Function disabled</p>	<p>Enables access to Flash Drive Scan functions</p> <p>Notes:</p> <ul style="list-style-type: none"> • “No authentication required” is the factory default setting. • Selecting Function Disabled prevents the Scan button from appearing. • Selecting “No authentication required” lets any user perform the scan. • If either “Require User ID only” or “Require User ID and Password” is selected, when the Scan to USB Drive button is touched, a prompt for authentication appears. The same prompt occurs if a function button, like Scan or E-mail, is touched on the home screen. • If Function Disabled is selected, the menu item does not appear on the display.
<p>Function Access</p> <p>Flash Drive Print</p> <p>No authentication required</p> <p>Require User ID only</p> <p>Require User ID and Password</p> <p>Function disabled</p>	<p>Enables access to Flash Drive Print functions</p> <p>Notes:</p> <ul style="list-style-type: none"> • “No authentication required” is the factory default setting. • Selecting Function Disabled causes any file on the Flash Drive to be unprintable. When the file is selected for printing, an unrecognized file screen appears. The only choice is to delete the file. • Selecting “Require User ID only” or “Require User ID and Password” causes the authentication screen to appear when the Print button is touched. The user must log on before printing takes place. • If Function Disabled is selected, the menu item does not appear on the display.

Menu item	Description
Function Access Profile Access No authentication required Require User ID only Require User ID and Password Function disabled	Enables access to profiles
Confidential Print Max Invalid PIN 2–10 Off	Limits the number of times an invalid PIN can be entered before jobs associated with a user id are deleted Notes: <ul style="list-style-type: none"> • Off is the factory default setting. • This menu item appears only when a hard disk is installed.
Confidential Print Job Expiration Off 1 hour 4 hours 24 hours 1 week	Specifies the amount of time a confidential job is held in memory before it is deleted Note: Off is the factory default setting.
Password Protect Supplies Menu Accept Advanced Password only Accept Advanced and User Passwords Not Protected	Protects access to the Supplies menu Note: "Accept Advanced Password only" is the factory default setting.
Password Protect Paper Menu Accept Advanced Password only Accept Advanced and User Passwords Not Protected	Protects access to the Paper menu Note: "Accept Advanced Password only" is the factory default setting.
Password Protect Reports Accept Advanced Password only Accept Advanced and User Passwords Not Protected	Protects access to the Reports menu Note: "Accept Advanced Password only" is the factory default setting.

Menu item	Description
<p>Password Protect Settings Accept Advanced Password only Accept Advanced and User Passwords Not Protected</p>	<p>Protects access to the Settings menu</p> <p>Notes:</p> <ul style="list-style-type: none"> • “Accept Advanced Password only” is the factory default setting. • Protection is not applied unless a valid password is set. • The password protects the following menus: General Settings, Copy Settings, Fax Settings, E-mail Settings, FTP Settings, Print Settings, and Set Date and Time. • Security is protected when a password is set. If both the Advanced and User Passwords are set, only the Advanced Password is valid for security.
<p>Password Protect Network/Ports Accept Advanced Password only Accept Advanced and User Passwords Not Protected</p>	<p>Protects access to the Network/Ports menu</p> <p>Note: “Accept Advanced Password only” is the factory default setting.</p>
<p>Password Protect Shortcuts Accept Advanced Password only Accept Advanced and User Passwords Not Protected</p>	<p>Protects access to shortcut settings</p> <p>Note: “Accept Advanced Password only” is the factory default setting.</p>
<p>Password Protect Create Scan Profile Accept Advanced Password only Accept Advanced and User Passwords Not Protected</p>	<p>Protects access to scan profile creation settings</p> <p>Note: “Accept Advanced Password only” is the factory default setting.</p>
<p>Password Protect LES configuration Accept Advanced Password only Accept Advanced and User Passwords Not Protected</p>	<p>Protects access to embedded solutions settings</p> <p>Note: “Accept Advanced Password only” is the factory default setting.</p>
<p>Password Protect Create/Change Passwords Create Advanced Password Create User Password Create Device Lockout Pin</p>	<p>Protects access to password settings</p>

Menu item	Description
Password Protect NTLM Authentication Setup Register with NT Domain Domain Name Domain PDC	Allows registration or registration removal for printers with an NT domain Notes: <ul style="list-style-type: none"> • Domain Name—Enter the text entry for the domain name. The factory default for the variable domain name is <domain>. Use the virtual keyboard to enter the text. • Domain PDC Name—Enter the text entry for the domain PDC name. The factory default for the Domain PDC Name variable is an asterisk (*). Use the virtual keyboard to enter the text.

Set Date and Time

Menu item	Description
Time Zone Not Set US Hawaii US Alaska US Can/Pacific Tijuana US Can/ Mountain US Can/Central US Can/Eastern US Can/Atl Newfoundland Brasilia, Braz. Mid-Atlantic Azores Cape Verde Is. GMT Ireland London Central Europe Amsterdam Berlin Bern Brussels Lisbon Madrid	Paris Prague Rome Stockholm Vienna Warsaw Eastern Europe Cairo Helsinki Athens Istanbul Israel South Africa Moscow Tehran, Iran Beijing, China Urumqi Aus Western Aus Central Aus Eastern Queensland Tasmania Northern Ter. New Zealand Korea Japan
	Specifies the time zone for the fax Note: Not Set is the factory default setting.

Menu item	Description
Current Date and Time <none>	Displays the date and time that are associated with scan, copy, fax, e-mail, and FTP functions
Year 2003–2028	Specifies the year

Menu item	Description
Month January February March April May June July August September October November December	Specifies the month
Day 0–31	Specifies the day
Hour 0–23	Specifies the hour
Minute 0–59	Specifies the minute
DST Mode Automatic Manual	Accommodates Daylight Savings Time changes Notes: <ul style="list-style-type: none"> • Automatic is the factory default setting. The time is set by the server. • Manual allows manual time changes.
Daylight Savings Yes No	Specifies whether Daylight Savings time is applicable
Time Server IP None	Specifies the time server IP address Note: The time server must be set to None to allow permanent manual time and date changes.
Time Server Name <none>	Specifies the IP address of the time server
Allow NTP Broadcast On Off	Allows the synchronization of time among a set of distributed time servers and clients Note: Off is the factory default setting.

Network/Ports menu

TCP/IP menu

Use the following menu items to view or set the TCP/IP information.

Note: This menu is available only for network models or printers attached to print servers.

Menu item	Description
TCP/IP Set Hostname Address Netmask Gateway	Specifies the current TCP/IP address information Note: This is a four-field IP address.
TCP/IP Set static IP address Address Netmask Gateway	Configures the TCP/IP address information
TCP/IP Enable DHCP On Off Enable RARP On Off Enable BOOTP On Off AutoIP On Off Enable FTP/TFTP On Off HTTP Server Enabled On Off	Lets you view or change the setting Note: On is the factory default setting.

Menu item	Description
TCP/IP WINS Server Address DNS Server Address Backup DNS Server Address Domain Search Order Restricted Server List MTU Default TTL DDNS mDNS Zero Configuration Name SLP Broadcast On Off LPD Timeout LPD Banner Page On Off LPD Trailer Page On Off LPD Carriage Return Conversion On Off	Lets you view or change the setting

IPv6 menu

Use the following menu items to view or set the Internet Protocol version 6 (IPv6) information.

Note: This menu is available only for network models or printers attached to print servers.

Menu item	Description
IPv6 Enable IPv6 Yes No	Enables IPv6 in the printer Note: Yes is the factory default setting.
IPv6 Auto Configuration On Off	Enables the network adapter to accept the automatic IPv6 address configuration entries provided by a router Note: On is the factory default setting.
IPv6 Hostname Address Router Address	Specifies the setting

Menu item	Description
IPv6 Enable DHCPv6 Yes No	Enables DHCPv6 in the printer Note: No is the factory default setting.

E-mail Server Setup menu

Use the following menu to configure the SMTP e-mail server.

Menu item	Description
E-mail Server Setup Primary SMTP Gateway Primary SMTP Gateway Port Secondary SMTP Gateway Secondary SMTP Gateway Port	Specifies SMTP server port information Note: 25 is the default SMTP gateway port.
E-mail Server Setup SMTP Timeout 5–30	Specifies the amount of time in seconds before the server stops trying to send the e-mail Note: 30 seconds is the factory default setting.
E-mail Server Setup SMTP Server Authentication Off Device Userid and password User ID and password User e-mail and password	Specifies the type of user authentication required for scan to e-mail privileges Note: Off is the factory default setting.
E-mail Server Setup Device Userid Password Reply Address Subject Message	Specifies e-mail server information Note: The message box has a limitation of 512 characters.
E-mail Server Setup Send me a copy Never appears On by default Off by default Always On	Sends a copy of the e-mail back to the creator of the e-mail
E-mail Server Setup Max e-mail size 0–65535 kB	Specifies the maximum e-mail size in kilobytes Note: E-mail above the specified size is not sent.
E-mail Server Setup Size Error Message	Sends a message when an e-mail is greater than the configured size limit

Menu item	Description
E-mail Server Setup Limit destinations	Sends an e-mail only when the address contains the domain name, such as a company domain name Notes: <ul style="list-style-type: none"> E-mail can only be sent to the specified domain. The limit is one domain.
E-mail Server Setup Web Link Setup Server Login Password Path Base file name Web Link	Defines the path name Note: Defines the path. For example: /directory/path The following characters or symbols are invalid entries for a path name: * : ? < > .

Active NIC menu

Menu item	Description
Active NIC Auto Standard Network	Select one network card to communicate across a network

Standard Network menu

Menu item	Description
PCL SmartSwitch On Off	Sets the printer to automatically switch to PCL emulation when a print job requires it, regardless of the default printer language Notes: <ul style="list-style-type: none"> On is the factory default setting. When the Off setting is used, the printer does not examine incoming data. When the Off setting is used, the printer uses PostScript emulation if PS SmartSwitch is set to On. It uses the default printer language specified in the Setup menu if PS SmartSwitch is set to Off.
PS SmartSwitch On Off	Sets the printer to automatically switch to PS emulation when a print job requires it, regardless of the default printer language Notes: <ul style="list-style-type: none"> On is the factory default setting. When the Off setting is used, the printer does not examine incoming data. When the Off setting is used, the printer uses PCL emulation if PCL SmartSwitch is set to On. It uses the default printer language specified in the Setup menu if PCL SmartSwitch is set to Off.

Menu item	Description
NPA Mode Off Auto	Sets the printer to perform the special processing required for bidirectional communication following the conventions defined by the NPA protocol Notes: <ul style="list-style-type: none"> • Auto is the factory default setting. • Changing this setting from the control panel and then exiting the menus causes the printer to restart. The menu selection is updated.
Network Buffer Auto 3k to <maximum size allowed>	Sets the size of the network input buffer Notes: <ul style="list-style-type: none"> • Auto is the factory default setting. • The value can be changed in 1k increments. • The maximum size allowed depends on the amount of memory in the printer, the size of the other link buffers, and whether Resource Save is set to On or Off. • To increase the maximum size range for the Network Buffer, disable or reduce the size of the parallel, serial, and USB buffers. • Changing this setting from the control panel and then exiting the menus causes the printer to restart. The menu selection is updated.
Job Buffering On Off Auto	Temporarily stores jobs on the printer hard disk before printing Notes: <ul style="list-style-type: none"> • Off is the factory default setting. • The On value buffers jobs on the printer hard disk. This menu selection appears only when a formatted disk is installed and is not defective. • The Auto setting buffers print jobs only if the printer is busy processing data from another input port. • Changing this setting from the control panel and then exiting the menus causes the printer to restart. The menu selection is updated.
Mac Binary PS On Off Auto	Sets the printer to process Macintosh binary PostScript print jobs Notes: <ul style="list-style-type: none"> • Auto is the factory default setting. • The Off setting filters print jobs using the standard protocol. • The On setting processes raw binary PostScript print jobs.

Standard USB menu

Menu item	Description
PCL SmartSwitch On Off	Sets the printer to automatically switch to PCL emulation when a print job received through a USB port requires it, regardless of the default printer language Notes: <ul style="list-style-type: none"> • On is the factory default setting. • When the Off setting is used, the printer does not examine incoming data. • When the Off setting is used, the printer uses PostScript emulation if the PS Smartswitch setting is On. It uses the default printer language specified in the Setup menu if the PS SmartSwitch setting is Off.
PS SmartSwitch On Off	Sets the printer to automatically switch to PS emulation when a print job received through a USB port requires it, regardless of the default printer language Notes: <ul style="list-style-type: none"> • On is the factory default setting. • When the Off setting is used, the printer does not examine incoming data. • When the Off setting is used, the printer uses PCL emulation if the PCL Smartswitch setting is On. It uses the default printer language specified in the Setup menu if the PCL SmartSwitch setting is Off.
NPA Mode On Off Auto	Sets the printer to perform the special processing required for bidirectional communication following the conventions defined by the NPA protocol Notes: <ul style="list-style-type: none"> • Auto is the factory default setting. • Changing this setting from the control panel and then exiting the menus causes the printer to restart. The menu selection is updated.
USB Buffer Disabled Auto 3k to <maximum size allowed>	Sets the size of the USB input buffer Notes: <ul style="list-style-type: none"> • Auto is the factory default setting. • The Disabled setting turns off job buffering. Any jobs already buffered on the disk are printed before normal processing is resumed. • The USB buffer size value can be changed in 1k increments. • The maximum size allowed depends on the amount of memory in the printer, the size of the other link buffers, and whether the Resource Save setting is On or Off. • To increase the maximum size range for the USB Buffer, disable or reduce the size of the parallel, serial, and network buffers. • Changing this setting from the control panel and then exiting the menus causes the printer to restart. The menu selection is updated.

Menu item	Description
Job Buffering On Off Auto	Temporarily stores jobs on the printer hard disk before printing Notes: <ul style="list-style-type: none"> • Off is the factory default setting. • The On setting buffers jobs on the printer hard disk. • The Auto setting buffers print jobs only if the printer is busy processing data from another input port. • Changing this setting from the control panel and then exiting the menus causes the printer to restart. The menu selection is updated.
Mac Binary PS On Off Auto	Sets the printer to process Macintosh binary PostScript print jobs Notes: <ul style="list-style-type: none"> • Auto is the factory default setting. • The Off setting filters print jobs using the standard protocol. • The On setting processes raw binary PostScript print jobs.

NetWare menu

Menu item	Description
Login Name <none>	Specifies the assigned NetWare login name
Print Mode PSERVER RPRINTER	Shows the assigned NetWare print mode
Network Number <none>	Specifies the assigned NetWare network number
Activate On Off	Activates or deactivates NetWare support Note: On is the factory default setting.
Ethernet 802.2 On Off	Enables the Ethernet 802.2 frame type setting Note: On is the factory default setting.
Ethernet 802.3 On Off	Enables the Ethernet 802.3 frame type setting Note: On is the factory default setting.
Ethernet Type II On Off	Enables the Ethernet Type II frame type setting Note: On is the factory default setting.
Ethernet SNAP On Off	Enables the Ethernet Snap frame type setting Note: On is the factory default setting.

Menu item	Description
Packet Burst On Off	Reduces network traffic by allowing the transfer and acknowledgement of multiple data packets to and from the NetWare server Note: Off is the factory default setting.
NSQ/GSQ Mode On Off	Sets the NSQ/GSQ Mode setting Note: Off is the factory default setting.

AppleTalk menu

Menu item	Description
View Name <none>	Shows the assigned AppleTalk name
View Address <none>	Shows the assigned AppleTalk address
Activate Off On	Activates or deactivates AppleTalk support Note: On is the factory default setting.
Set Zone <list of zones available on the network>	Provides a list of AppleTalk zones available on the network Note: The default setting is the default zone for the network. If no default zone exists, the zone marked with an * is the default setting.

LexLink menu

Menu item	Description
View Nickname <none>	Shows the assigned LexLink nickname
Activate On Off	Activates or deactivates LexLink support Note: On is the factory default setting.

Help menu

The Help menu consists of Help pages that are stored in the printer as PDFs. They contain reference information about using the printer and performing tasks. You may select to print each one individually, or select **Print all guides** to print all of them at one time.

English, French, German, and Spanish translations are stored in the printer. Other translations are available on the *Software and Documentation CD*.

Menu item	Description
Print all guides	Prints all the guides
Information guide	Provides help in locating additional information
Copy guide	Provides information about making copies and changing settings

Menu item	Description
E-mail guide	Provides information about sending e-mails using addresses, shortcut numbers, or the address book, and changing settings
Fax guide	Provides information about sending faxes using fax numbers, shortcut numbers, or the address book, and changing settings
FTP guide	Provides information about scanning documents directly to an FTP server using an FTP address, shortcut numbers, or the address book, and changing settings
Print defects guide	Provides help in resolving repeating defects in copies or prints
Supplies guide	Provides part numbers for ordering supplies

Understanding printer messages

List of status and error messages

Answering

The printer is answering a fax call. Wait for the message to clear.

Bin <x> Full

Remove the stack of paper from the specified exit bin to clear the message.

Busy

Wait for the message to clear.

Calibrating

Wait for the message to clear.

Call complete

A fax call is completed. Wait for the message to clear.

Cancel not available

Wait for the message to clear.

Canceling

Wait for the message to clear.

Change <src> to <x>

You can change the current paper source for the remainder of the print job. The formatted page will print on the paper loaded in the selected tray. This may cause clipping of text or images.

- Select the paper tray with the correct paper size.
- Touch **Use current [src]** to ignore the message and print from the tray selected for the print job.
- Touch **Continue** to continue the job if the correct size and type are loaded in the tray, and this size and type are specified in the control panel Paper menu.

Note: If you touch Continue when there is no paper in the tray, the job is not continued.

- Touch **Cancel job** to cancel the current job.

Check <src> guides

The printer cannot determine the size of the paper.

- Readjust the paper guides.
- Check the tray configuration.

Clearing job accounting statistics

Wait for the message to clear.

Close cover <x>

Close the specified cover to clear the message.

Close door <x>

Close the specified door.

Connect <x>bps

The fax is connected. Wait for the message to clear.

Note: <x> is the baud rate per second.

Copies

Enter the desired number of copies.

Defragmenting Flash DO NOT POWER OFF

Wait for the message to clear.

Warning: Do not turn the printer off while this message appears on the display.

Delete/Delete all/Delete all confidential jobs

- Touch **Delete Entry** to delete the specified job.
- Touch **Delete All** to delete all listed jobs.
- Touch **Delete All Confidential Jobs** to delete all listed confidential jobs.

Deleting

Wait for the message to clear.

Dialing

A fax number is dialed. If the number is too long to fit on the screen, only the word **Dialing** appears. Wait for the message to clear.

Disk Corrupted. Reformat?

The printer attempted a hard disk recovery on a corrupted hard disk, and the hard disk cannot be repaired. The hard disk must be reformatted.

Touch **Reformat disk** to reformat the hard disk and clear the message.

Note: Reformatting the disk deletes all the files currently stored on the disk.

Disk recovery x/y XX% DO NOT POWER OFF

Wait for the message to clear.

Warning: Do not power off while the printer is attempting to recover the printer hard disk.

Disk recovery takes place in several phases. The percentage completed during each phase appears on the display.

Empty hole punch box

Empty the hole punch box, and then reinsert it into the finisher. Wait for the message to clear.

Encrypting disk x/y XX% DO NOT POWER OFF

Wait for the message to clear.

Warning: Do not power off while the printer is encrypting the printer hard disk.

The percentage completed appears on the display.

Enter PIN

Enter the PIN you created in Print Properties when the confidential job was sent for printing.

Enter PIN to lock

Enter the PIN you created to lock the control panel and prevent menu changes.

Error reading USB drive

Remove the device and wait for the message to clear. The USB drive may be corrupted.

Fax failed

The fax failed to be sent. Wait for the message to clear.

Flushing buffer

Wait for the message to clear.

Formatting Disk x/y XX% DO NOT POWER OFF

Wait for the message to clear.

Warning: Do not power off while the printer is formatting the printer hard disk.

The percentage completed appears on the display.

Formatting Flash DO NOT POWER OFF

Wait for the message to clear.

Warning: Do not power off while the printer is formatting the flash memory.

Incorrect orientation

Change the orientation of the paper in the tray or the position of the paper guides. Make sure the print job is requesting the correct paper size.

Insert hole punch box

Insert the hole punch box into the finisher. Wait for the message to clear.

Insert Tray <x>

Insert the specified tray into the printer.

Internal System Error, Reload Bookmarks

- Reload the bookmarks.
- Touch **Continue** to clear the message and continue printing.

Internal System Error, Reload Security Certificates

- Reload the security certificates.
- Touch **Continue** to clear the message and continue printing.

Invalid Engine Code

You need to download valid engine code for the printer.

For information about downloading code, see the *User's Guide* on the *Software and Documentation CD*.

Note: Engine code may be downloaded while this message appears on the display.

Invalid file format

A file stored on the USB drive is invalid. The file extension is correct, but the file contents are not properly formatted. Convert files to any of the following supported file types: .pdf, .gif, .jpeg, .jpg, .bmp, .png, .tiff, .tif, .pcx, or .dcx.

Invalid PIN

Enter a valid PIN.

Invalid Network Code

You need to download valid network printing code for the internal print server. The internal print server is a hardware option installed inside the printer.

Note: Network code may be downloaded while this message appears on the display.

Job stored for delayed transmission

The scanning completes for a delayed send fax job. Wait for the message to clear.

Line busy

A fax number is dialed, but the fax line is busy. Wait for the message to clear.

Load manual feeder with <x>

- Load the specified paper in the multipurpose feeder.
- Touch **Continue** to clear the message and continue printing.

If the printer finds a tray that has the correct paper type and size, it feeds from that tray. If the printer cannot find a tray with the correct paper type and size, it prints from the default source.

- Cancel the current job.

Load staples <x>

- Replace the specified staple cartridge in the finisher.
- Touch **Continue** to clear the message and continue printing without stapling.
- Cancel the print job.

Load <src> with <x>

- Load the paper tray or other source with the correct paper type and size.
- Cancel the current job.

Menus are disabled

The printer menus are disabled. The printer settings cannot be changed from the control panel. Contact your system support person for help.

Note: When menus are disabled, it is still possible to cancel a print job, print a confidential job, or print a held job.

Network/Network <x>

The printer is connected to the network.

Network indicates that the printer is using the standard network port built into the printer system board. **Network <x>** indicates that an internal print server is installed inside the printer or that the printer is connected to an external print server.

No answer

A fax number is dialed, but no connection is made. Wait for the message to clear.

No dial tone

The printer does not have a dial tone. Wait for the message to clear.

No held jobs

Wait for the message to clear.

No jobs to cancel


Wait for the message to clear.

No recognized file types

Either there are no files saved on the USB drive, or the files saved are not supported. Convert files to any of the following supported file types: .pdf, .gif, .jpeg, .jpg, .bmp, .png, .tiff, .tif, .pcx, or .dcx.

Power Saver

The printer is saving power while it waits for the next print job.

- Send a job to print.
- Touch  to warm the printer to normal operating temperature. Afterwards, **Ready** appears.

Printer locked, enter PIN to unlock

The control panel is locked. Enter the correct PIN to unlock it.

Printing

Wait for the message to clear.

Programming disk DO NOT POWER OFF

Wait for the message to clear.

Warning: Do not turn the printer power off while **Programming disk** appears on the display.

Programming flash DO NOT POWER OFF

Wait for the message to clear.

Warning: Do not turn the printer power off while **Programming flash** appears on the display.

Programming System Code DO NOT POWER OFF

Wait for the message to clear.

Warning: Do not turn the printer power off while **Programming System Code** appears on the display.

Queued for sending

The scanning process of a fax job completed, but the job is not sent yet because another fax job is being sent or received. Wait for the message to clear.

Reading USB drive DO NOT REMOVE

Wait for the message to clear.

Ready

The printer is ready to receive print jobs.

Receive complete

The printer has received an entire fax job. Wait for the message to clear.

Receiving page <n>

The printer receives page <n> of the fax job, where <n> is the number of the page received. Wait for the message to clear.

Remote Management Active DO NOT POWER OFF

The printer settings are being configured. Wait for the message to clear.

Warning: Do not turn the printer power off while **Remote Management Active** appears on the display.

Remove paper from all bins

Output bins have reached their capacity. Remove paper from all output bins to clear the message and continue printing.

Remove paper from standard bin

The standard exit bin has reached its capacity. Remove paper from the standard exit bin to clear the message and continue printing.

Remove paper from bin <x>

The specified output bin has reached its capacity. Remove paper from the specified bin to clear the message and continue printing.

Replace all originals if restarting job.

One or more messages which interrupted a scan job are now cleared. Replace the original documents in the scanner to restart the scan job.

- Touch **Cancel Job** if a scan job is processing when the message appears. This cancels the job and clears the message.
- Touch **Scan from Automatic Document Feeder** if the page jam recovery is active. Scanning resumes from the ADF immediately after the last successfully scanned page.
- Touch **Scan from flatbed** if page jam recovery is active. Scanning resumes from the scanner glass (flatbed) immediately after the last successfully scanned page.
- Touch **Finish job without further scanning** if page jam recovery is active. The job ends at the last successfully scanned page, but the job is not canceled. Successfully scanned pages go to their destination: copy, fax, e-mail, or FTP.
- Touch **Restart job** if job recovery is active and the job is restartable. The message clears. A new scan job containing the same parameters as the previous job starts.

Resetting the printer

Wait for the message to clear.

Restore Held Jobs?

- Touch **Continue** to restore all held jobs stored on the printer hard disk.
- Touch **Do not restore** if you do not want any print jobs to be restored.

Restoring Factory Defaults

Wait for the message to clear.

When factory default settings are restored:

- All downloaded resources in the printer memory are deleted. This includes fonts, macros, and symbol sets.
- All settings return to the factory defaults except the Display Language setting in the Setup menu and the custom settings in the Serial <x>, Network, Infrared, LocalTalk, USB, and Fax menus.

Restoring Held Job(s) x/y

- Wait for the message to clear.
- Touch **Quit restoring** to delete unrestored held jobs.

Note: **x** represents the number of jobs being restored. **y** represents the total number of jobs to be restored.

Scan Document Too Long

The scan job exceeds the maximum number of pages. Touch **Cancel Job** to clear the message.

Scanner ADF Cover Open

The ADF cover is open. The message clears when the cover is closed.

Sending page <n>

The printer sends page <n> of the fax job, where <n> is the number of the page sent. Wait for the message to clear.

Note:

Serial <x>

The printer is using a serial cable connection. The serial port is the active communication link.

Set clock

The clock is not set. This message appears if no other fax status message appears. It remains until the clock is set.

Some held jobs were not restored

Touch **Continue** to delete the specified job.

Note: Some held jobs are not restored. They stay on the hard disk and are inaccessible.

Some held jobs will not be restored

- Touch **Continue** to clear the message and continue printing.
- Cancel the current job.

Standard Bin Full

Remove the stack of paper from the standard exit bin to clear the message.

Staples <x> empty or misfed

Load the specified staple cartridge into the finisher to clear the message and continue stapling.

Staples <x> low or missing

Load the specified staple cartridge in the finisher to clear the message.

System busy, preparing resources for job.

Not all resources needed for the job are available. Wait for the message to clear.

System busy, preparing resources for job. Deleting held job(s).

Not all resources needed for the job are available. Some held jobs are deleted to free system memory. Wait for the message to clear.

Submitting Selection

Wait for the message to clear.

Tray <x> Empty

Load paper in the tray to clear the message.

Tray <x> Low

Load paper in the specified tray to clear the message.

Tray <x> Missing

Insert the specified tray into the printer.

USB/USB <x>

The printer is using a USB cable connection. The USB port is the active communication link.

Waiting

The printer has received data to print, but is waiting for an End-of-Job command, a Form Feed command, or additional data.

- Touch **Continue** to print the contents of the buffer.
- Cancel the current print job.

Waiting for redial

The printer is waiting to redial the fax number. Wait for the message to clear.

1565 Emul Error Load Emul Option

The printer automatically clears the message in 30 seconds and then disables the download emulator on the firmware card.

To fix this, download the correct download emulator version from the Lexmark Web site at www.lexmark.com.

31 Missing or defective <color> cartridge

The specified toner cartridge is either missing or not functioning properly.

- Remove the specified toner cartridge, and then reinstall it.
- Remove the specified toner cartridge, and then install a new one.

32 Replace unsupported <color> cartridge

Remove the specified toner cartridge, and then install a supported one.

34 Incorrect paper size, check <src>

- Load the appropriate paper or other specialty media in the proper tray.
- Touch **Continue** to clear the message and print the job using a different paper tray.

- Check tray length and width guides and make sure the paper is properly loaded in the tray.
- Check the Print Properties settings to make sure the print job is requesting the correct paper size and type.
- Check that the paper size is correctly set. For example, if the MP Feeder Size is set to Universal, make sure the paper is large enough for the data being printed.
- Cancel the current print job.

34 Short paper

- Load the appropriate paper or other specialty media in the proper tray.
- Touch **Continue** to clear the message and print the job using a different paper tray.
- Check tray length and width guides and make sure the paper is properly loaded in the tray.
- Check the Print Properties settings to make sure the print job is requesting the correct paper size and type.
- Check that the paper size is correctly set. For example, if the MP Feeder Size is set to Universal, make sure the paper is large enough for the data being printed.
- Cancel the current print job.

35 Insufficient memory to support Resource Save feature

- Touch **Continue** to disable Resource Save and continue printing.
- To enable Resource Save after receiving this message, make sure the link buffers are set to Auto, and then exit the menus to activate the link buffer changes. When **Ready** appears, enable Resource Save.
- Install additional memory.

37 Insufficient memory to collate job

- Touch **Continue** to print the portion of the job already stored and begin collating the rest of the print job.
- Cancel the current print job.

37 Insufficient memory for Flash Memory Defragment operation

- Touch **Continue** to stop the defragment operation and continue printing.
- Delete fonts, macros, and other data in printer memory.
- Install additional printer memory.

37 Insufficient memory, some held jobs will not be restored

The printer was unable to restore some or all of the confidential or held jobs on the printer hard disk.

Touch **Continue** to clear the message.

38 Memory full

- Touch **Continue** to clear the message.
- Cancel the current print job.
- Install additional printer memory.

39 Page is too complex to print

- Touch **Continue** to clear the message and continue printing.
- Cancel the current print job.
- Install additional printer memory.

40 <color> invalid refill, change cartridge

Remove the specified toner cartridge, and then install a new one.

50 PPDS font error

- Touch **Continue** to clear the message and continue printing.
- The printer cannot find a requested font. From the PPDS menu, select **Best Fit**, and then select **On**. The printer will find a similar font and reformat the affected text.
- Cancel the current print job.

51 Defective flash detected

- Touch **Continue** to clear the message and continue printing.
- Cancel the current print job.

52 Flash full

- Touch **Continue** to clear the message and continue printing.
Downloaded fonts and macros not previously stored in flash memory are deleted.
- Delete fonts, macros, and other data stored in flash memory.
- Upgrade to a larger capacity flash memory card.

53 Unformatted flash detected

- Touch **Continue** to stop the defragment operation and continue printing.
- Format the flash memory. If the error message remains, the flash memory may be defective and require replacing.

54 Serial option <x> error

- Check that the serial cable is connected correctly and is the proper one for the serial port.
- Check that the serial interface parameters (protocol, baud, parity, and data bits) are set correctly on the printer and host computer.
- Touch **Continue** to continue printing.
- Turn the printer power off and then back on to reset the printer.

54 Standard network software error

- Touch **Continue** to continue printing.
- Turn the printer power off and then back on to reset the printer.
- Upgrade (flash) the network firmware in the printer or print server.

54 Network <x> software error

- Touch **Continue** to continue printing.
- Turn the printer power off and then back on to reset the printer.
- Upgrade (flash) the network firmware in the printer or print server.

55 Unsupported option in slot <x>

- 1 Turn the printer power off.
- 2 Unplug the power cord from the wall outlet.
- 3 Remove the unsupported optional interface card or internal print server from the printer system board.
- 4 Connect the power cord to a properly grounded outlet.
- 5 Turn the printer power back on.

56 Parallel port <x> disabled

- Touch **Continue** to clear the message.
The printer discards any data received through the parallel port.
- Make sure the Parallel Buffer menu item is not set to Disabled.

56 Serial port <x> disabled

- Touch **Continue** to clear the message.
The printer discards any data received through the serial port.
- Make sure the Serial Buffer menu item is not set to Disabled.

56 Standard USB port disabled

- Touch **Continue** to clear the message.
The printer discards any data received through the USB port.
- Make sure the USB Buffer menu item is not set to Disabled.

56 USB port <x> disabled

- Touch **Continue** to clear the message.
The printer discards any data received through the USB port.
- Make sure the USB Buffer menu item is not set to Disabled.

57 Configuration change, held jobs were not restored

Touch **Continue** to clear the message.

58 Too many disks installed

- 1 Turn the printer power off.
- 2 Unplug the power cord from the wall outlet.
- 3 Remove the extra disks.
- 4 Connect the power cord to a properly grounded outlet.
- 5 Turn the printer power back on.

58 Too many flash options installed

- 1 Turn the printer power off.
- 2 Unplug the power cord from the wall outlet.
- 3 Remove the excess flash memory.
- 4 Connect the power cord to a properly grounded outlet.
- 5 Turn the printer power back on.

58 Too many trays attached

- 1 Turn the printer power off.
- 2 Unplug the power cord from the wall outlet.
- 3 Remove the additional trays.

4 Connect the power cord to a properly grounded outlet.

5 Turn the printer power back on.

61 Remove defective hard disk

- Touch **Continue** to clear the message and continue printing.
- Install a different hard disk before performing any operations that require a hard disk.

62 Disk full

- Touch **Continue** to clear the message and continue processing.
- Delete fonts, macros, and other data stored on the hard disk.
- Install a larger hard disk.

63 Unformatted disk

- Touch **Continue** to clear the message and continue printing.
- Format the disk.

If the error message remains, the hard disk may be defective and require replacing.

80 Scheduled maintenance <x>

Contact Customer Support, and report the message. The printer needs to have scheduled maintenance done.

82 Replace waste toner box

The waste toner box is full.

- 1 Replace the waste toner box.
- 2 Clear the paper path.

82 Waste toner box nearly full

- Touch **Continue** to clear the message and continue printing.
- Order a replacement waste toner box immediately.

82 Waste toner box missing

Insert the waste toner box.

84 Black pc unit life warning

The black photoconductor is near exhaustion.

- When the print quality diminishes, install a new photoconductor.
- Touch **Continue** to clear the message and continue printing.

84 Color pc unit life warning

One or more of the color photoconductors are near exhaustion.

- When the print quality diminishes, install new cyan, magenta, and yellow photoconductors.
- Touch **Continue** to clear the message and continue printing.

84 <color> pc unit missing

Insert the missing photoconductor(s).

84 Replace black pc unit

The black photoconductor is exhausted. Install a new photoconductor.

84 Replace color pc units

One or more of the color photoconductors are exhausted. Install new cyan, magenta, and yellow photoconductors.

84 Unsupported <color> pc unit

Replace the specified photoconductor(s).

Note: The printer has four photoconductors: cyan, magenta, yellow, and black. The cyan, magenta, and yellow photoconductors must all be replaced at the same time. The black photoconductor can be replaced separately.

88 <color> toner low

When this message appears, the toner is low.

- When the print becomes faded, replace the toner cartridge.
- Touch **Continue** to clear this message and continue printing.

88 Replace <color> toner

The toner cartridge is exhausted. Replace the specified toner cartridge.

200–289.yy paper jam

- 1 Clear the paper path.
- 2 Touch **Continue** to continue printing.

289 Staple error <x>

- 1 Clear the jam from the specified stapler area(s).
- 2 Touch **Continue** to continue printing.

290-295.yy scanner jam

Clear all original documents from the scanner.

900–999 Service <message>

- 1 Turn the printer off.
- 2 Unplug the power cord from the wall outlet.
- 3 Check all cable connections.
- 4 Connect the power cord to a properly grounded outlet.
- 5 Turn the printer back on.

If the service message appears again, contact Customer Support, and report the message.

Maintaining the printer

Periodically, certain tasks are required to maintain optimum print quality.

Storing supplies

Choose a cool, clean storage area for the printer supplies. Store supplies right side up in their original packing until you are ready to use them.

Do not expose supplies to:


- Direct sunlight
- Temperatures above 35°C (95°F)
- High humidity above 80%
- Salty air
- Corrosive gases
- Heavy dust


Checking the status of supplies

A message appears on the display when a replacement supply item is needed or when maintenance is required.

Checking the status of supplies from the control panel

1 Make sure the printer is on and **Ready** appears.


2 On the home screen, touch .

Note: If  is not on the home screen, print a menu settings page to review the status of the supplies.

Printing a menu settings page

Print a menu settings page to review the current menu settings and to verify printer options are installed correctly.

1 Make sure the printer is on and **Ready** appears.

2 On the home screen, touch .

3 Touch **Reports**.

4 Touch **Menu Settings Page**.

Checking the status of supplies from a network computer

Note: The computer must be connected to the same network as the printer.

1 Open a Web browser.

2 In the address bar, type the IP address of the network printer (for example, 192.264.263.17).

3 Press **Enter**.

The Device Status Page appears. A summary of supply levels is displayed.

Conserving supplies

There are some settings you can change from the control panel that will help you conserve toner and paper. For more information, see “Supplies menu,” “Quality menu,” and “Finishing menu.”

If you need to print several copies, you can conserve supplies by printing the first copy and checking it for accuracy before printing the remaining copies.

Ordering supplies

To order supplies in the U.S., contact Lexmark at 1-800-539-6275 for information about Lexmark authorized supplies dealers in your area. In other countries or regions, visit the Lexmark Web Site at www.lexmark.com or contact the place where you purchased the printer.

Note: All life estimates for printer supplies assume printing on letter- or A4-size plain paper.

Ordering toner cartridges

When **88 Cyan toner low**, **88 Magenta toner low**, **88 Yellow toner low**, or **88 Black toner low** appears, order a new cartridge.

When **88 Replace Cyan toner**, **88 Replace Magenta toner**, **88 Replace Yellow toner**, or **88 Replace Black toner** appears, you *must* replace the specified toner cartridge.

The recommended toner cartridges specifically designed for the printer are:

Part name	Part number
Cyan High Yield Toner Cartridge	X945X2CG
Magenta High Yield Toner Cartridge	X945X2MG
Yellow High Yield Toner Cartridge	X945X2YG
Black High Yield Toner Cartridge	X945X2KG

Ordering photoconductors

When **84 Black pc unit life warning** or **84 color pc unit life warning** appears, order replacement photoconductor(s).

Part name	Part number
Single PC Unit	C930X72G
3 Pack of PC Units	C930X73G

Ordering staple cartridges

When **Staples <x> low or missing** appears, order the specified staple cartridge. When **Staples <x> empty or misfed** or **Load staples <x>** appears, replace the specified staple cartridge.

See the illustrations inside the stapler finisher door for more information.

Part name	Part number
Staple Cartridges–3 pack (Staples G5)	25A0013
Advanced Booklet Staples (Staples G11 and Staples G12)	21Z0357

Ordering a waste toner box

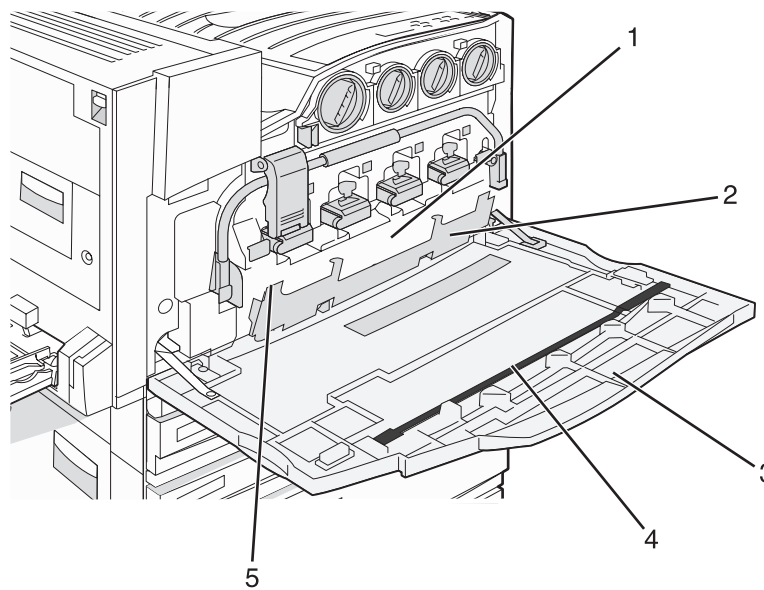
When **82 Waste toner box nearly full** appears, order a replacement waste toner box. The waste toner box *must* be replaced when **82 Replace waste toner box** appears.

Part name	Part number
Waste Toner Box	C930X76G

Replacing supplies

Replacing the waste toner box

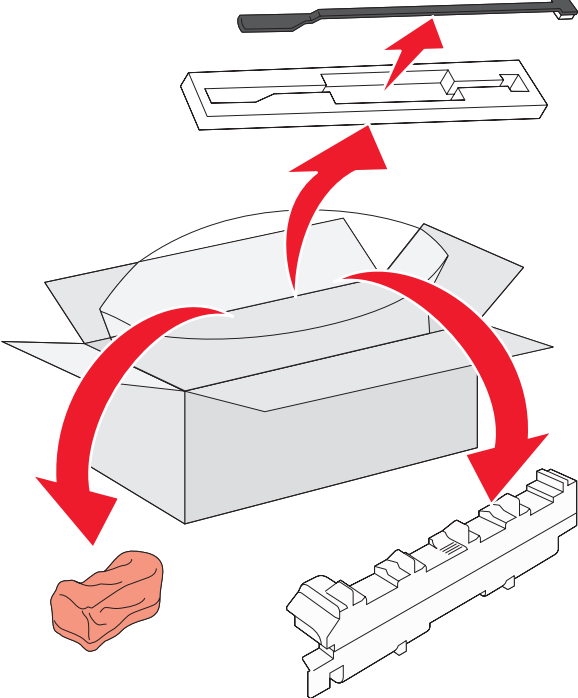
Replace the waste toner box when **82 Replace waste toner box** appears. The printer will not continue printing until the waste toner box is replaced.



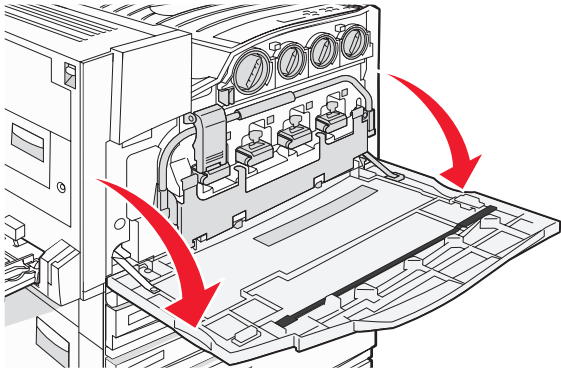
1	Waste toner box
2	Door E6
3	Door E
4	Printhead lens cleaner

5	E6 Door tab
---	-------------

1 Unpack the replacement waste toner box and accessories.

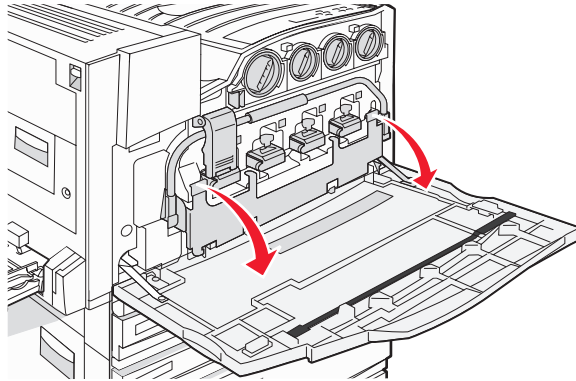


2 Open Door E (front printer door).

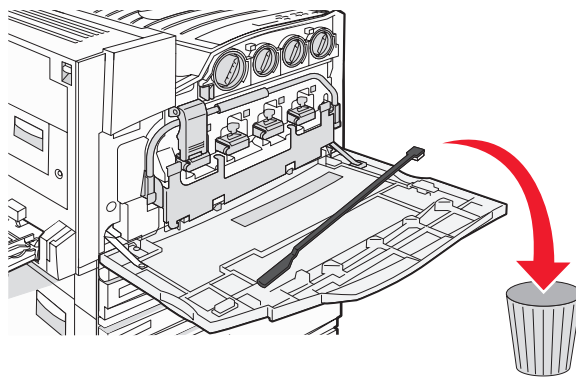


Warning: To avoid overexposing the photoconductors, do not leave the door open for more than 10 minutes.

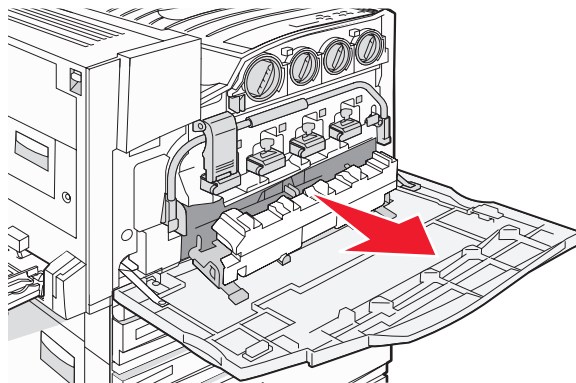
3 Grasp the E6 Door tab, and then push the door down.



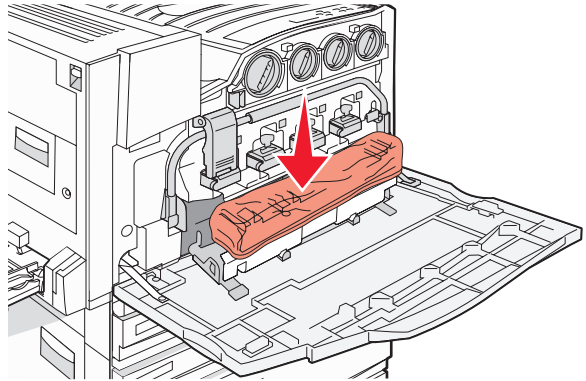
4 Remove the old printhead lens cleaner from Door E, and then discard it.



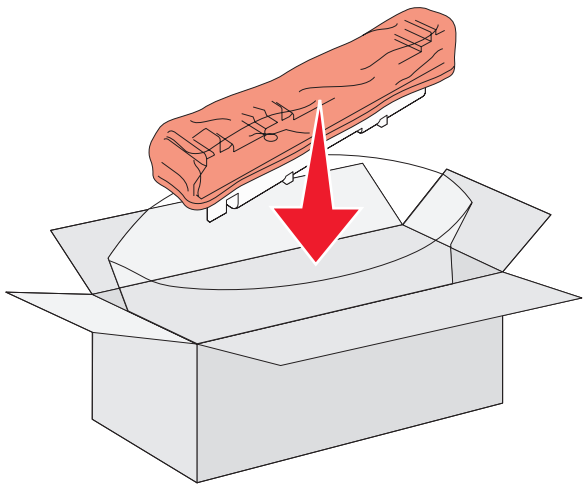
5 Remove the waste toner box.



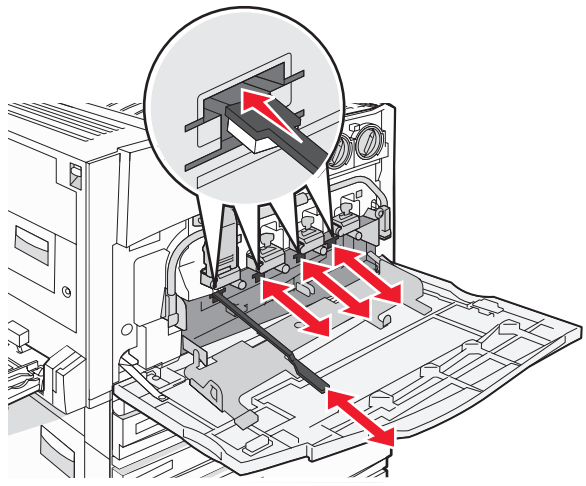
6 Place the plastic cover over the waste toner box.



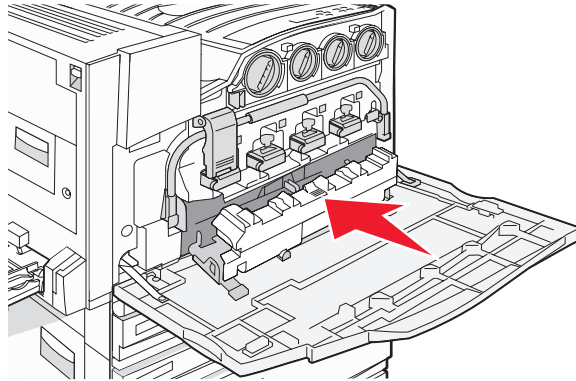
7 Place the waste toner box in the recycling bag.



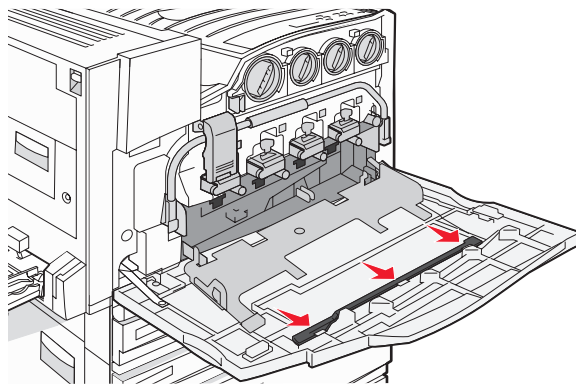
8 Use the new printhead lens cleaner to clean the printhead lenses.



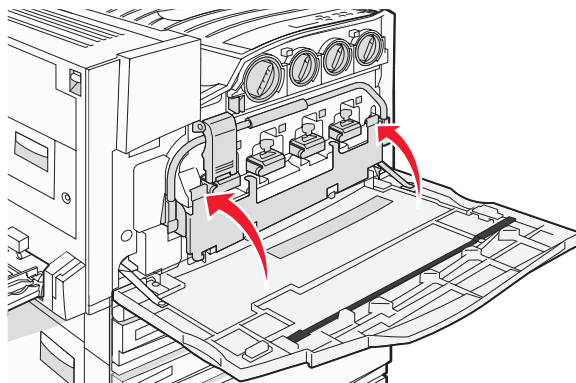
9 Insert the new waste toner box.



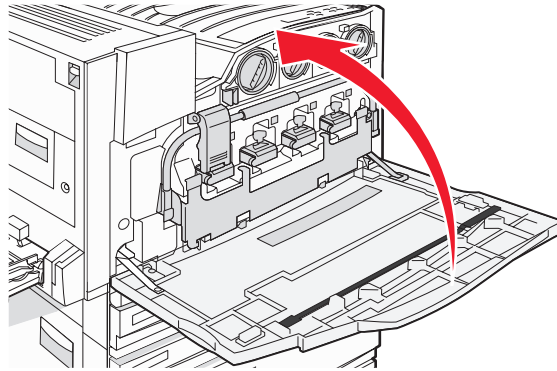
10 Place the new printhead lens cleaner in the notches of Door E.



11 Close Door E6.



12 Close Door E.

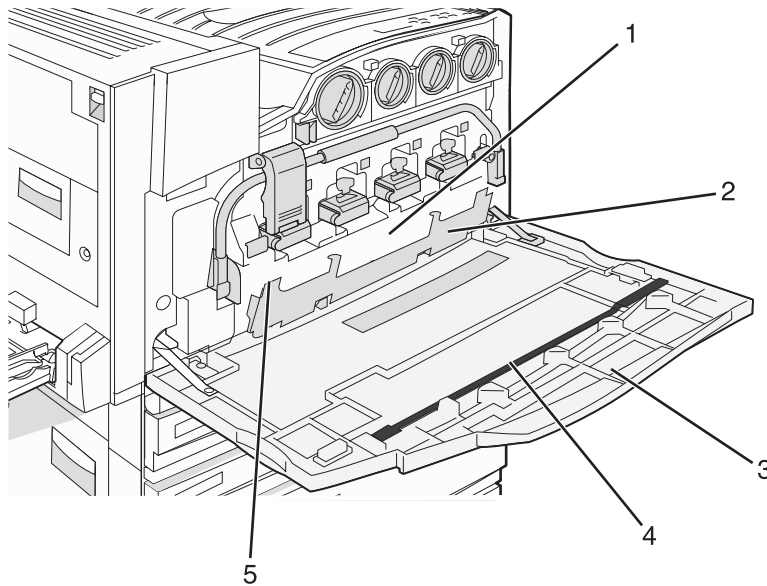


13 Remove all paper from the printer paper path.

Visit www.lexmark.com/recycling to learn how to recycle the waste toner box.

Cleaning the printhead lenses

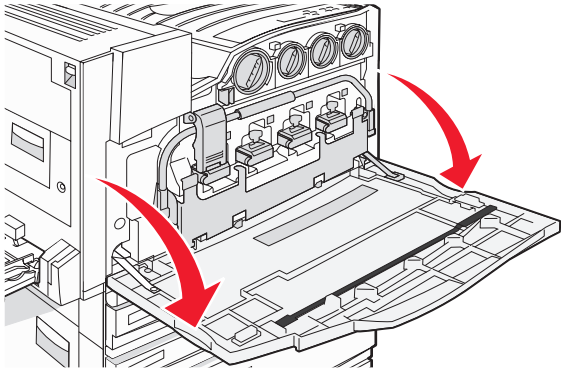
Clean the printhead lenses when you replace the waste toner box or when you encounter print quality problems.



1	Waste toner box
2	Door E6
3	Door E (front door)
4	Printhead lens cleaner

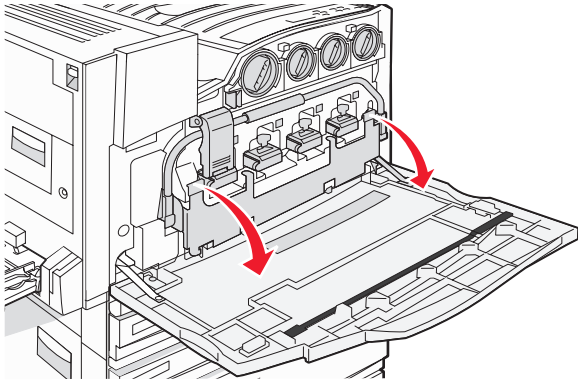
5	E6 Door tab
----------	-------------

1 Open Door E (front door).

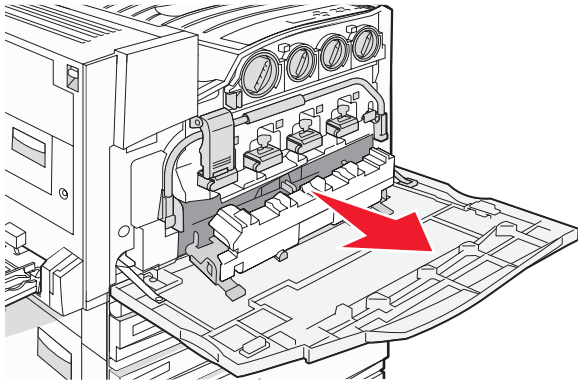


Warning: To avoid overexposing the photoconductors, do not leave the door open for more than 10 minutes.

2 Grasp the E6 Door tab, and then push the door down.

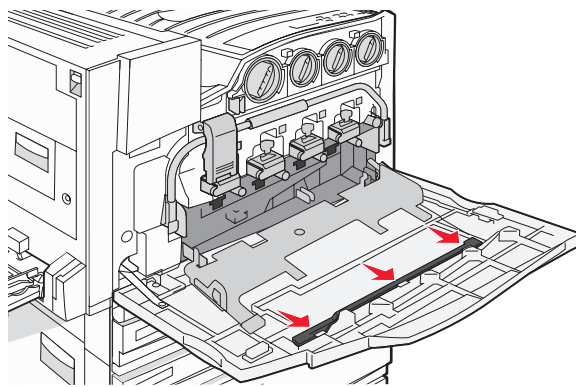


3 Remove the waste toner box.

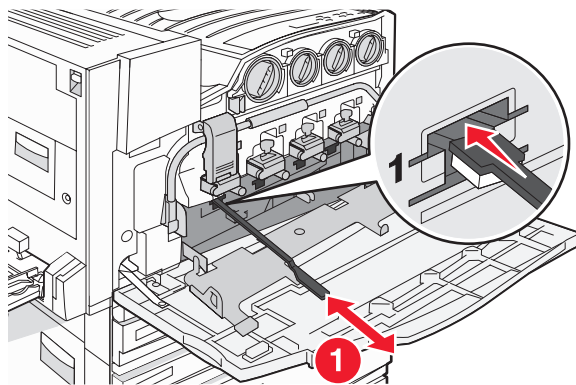


4 Locate and remove the printhead lens cleaner from Door E.

Note: If you are replacing the waste toner box, use the printhead lens cleaner that shipped with it.

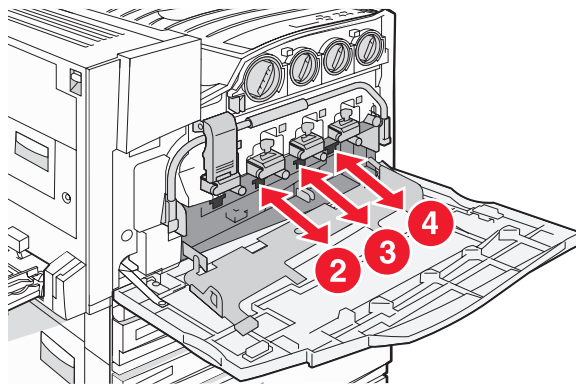


5 Insert the padded tip of the printhead lens cleaner into the first printhead lens opening.

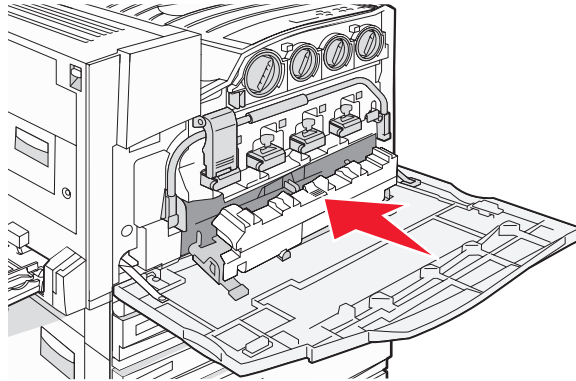


6 Push the printhead lens cleaner all the way to the back of the lens, and then pull it out.

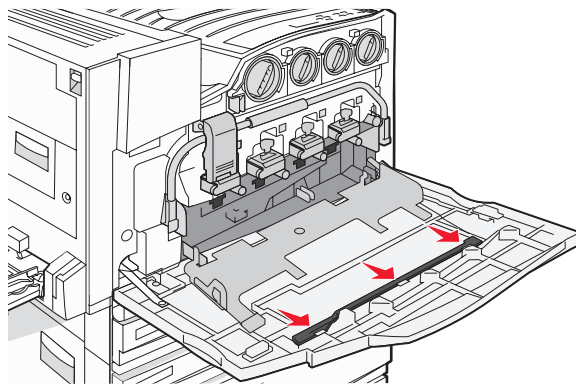
7 Clean the remaining three printhead lenses.



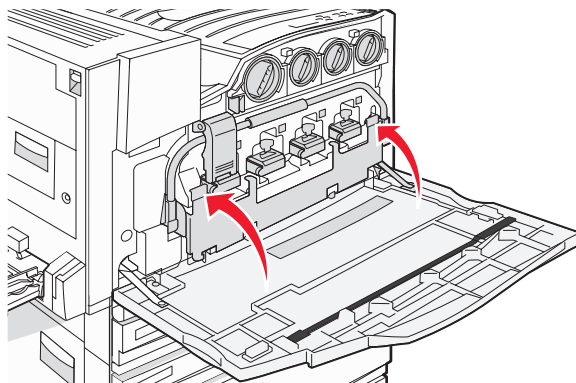
8 Insert the waste toner box.



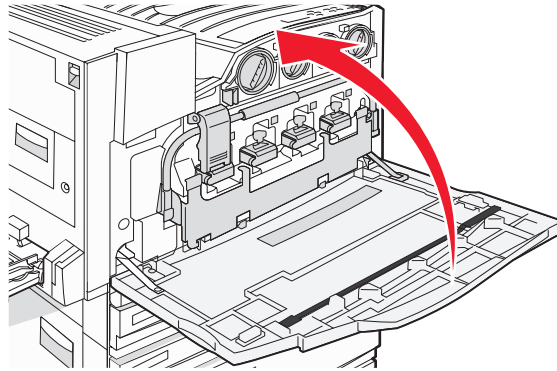
9 Place the printhead lens cleaner in the notches of Door E.



10 Close Door E6.



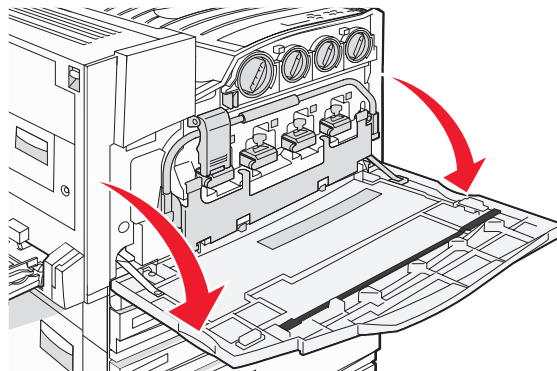
11 Close Door E.



Replacing a photoconductor

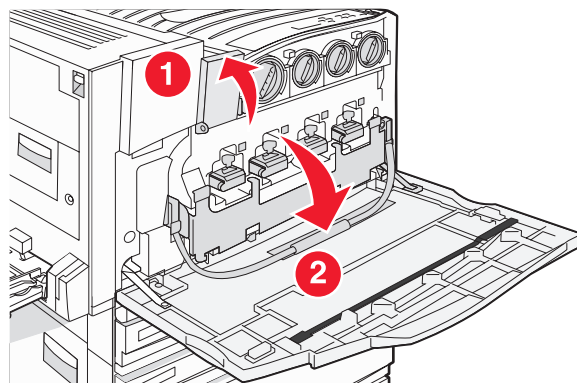
Replace the black photoconductor when **84 Replace black pc unit** appears. Replace the cyan, magenta, and yellow photoconductors when **84 Replace color pc units** appears.

1 Open Door E (front printer door).



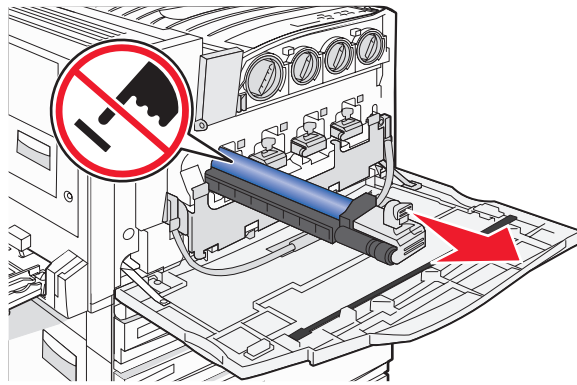
Warning: To avoid overexposing the photoconductors, do not leave the door open for more than 10 minutes.

2 Release the bar by pressing the E5 button located on the bottom of the E5 latch, lift the E5 latch, and then press the bar down.



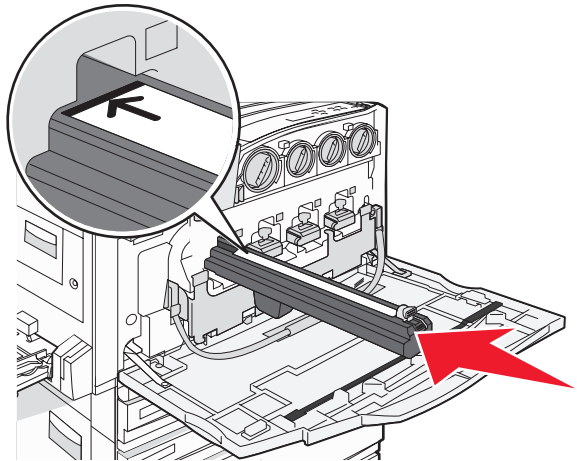
3 Remove the photoconductor(s) specified on the display.

Photoconductor color	Opening name
Black	E1
Cyan	E2
Magenta	E3
Yellow	E4

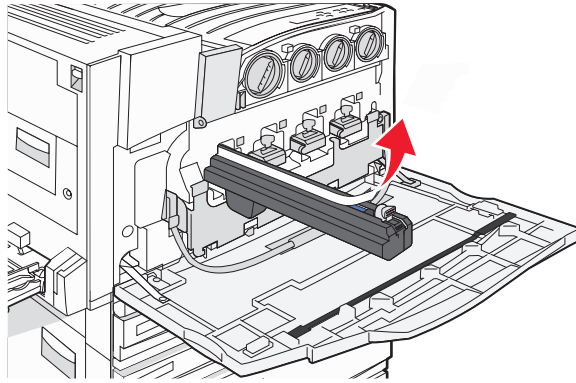


4 Unpack the replacement photoconductor.

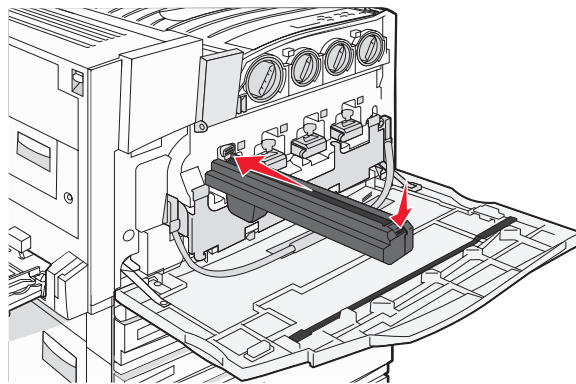
5 Align and insert the end of the photoconductor.



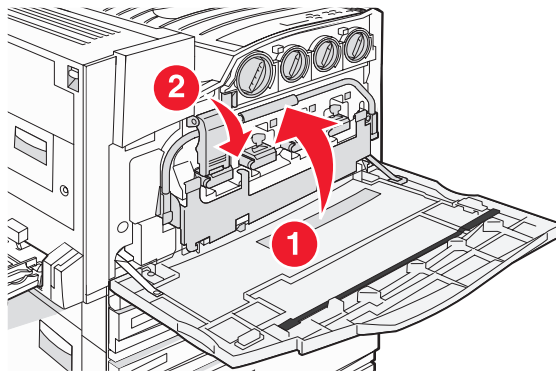
6 Remove the tape from the top of the photoconductor.



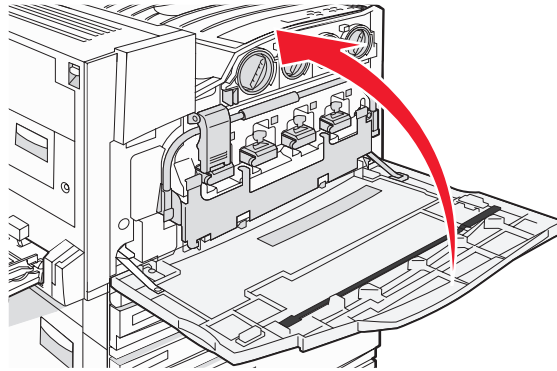
7 Press the button forward to insert the photoconductor while removing the casing.



8 Lift the bar up, and then press latch E5 down so that it holds the bar in position.



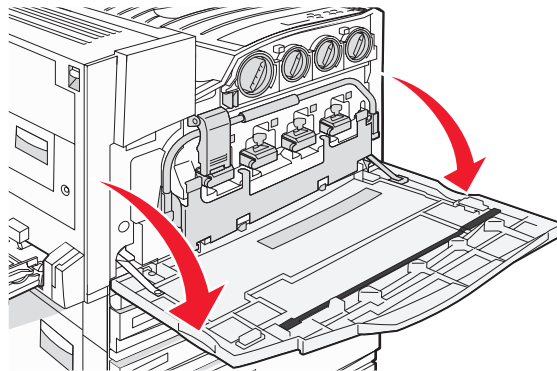
9 Close Door E.



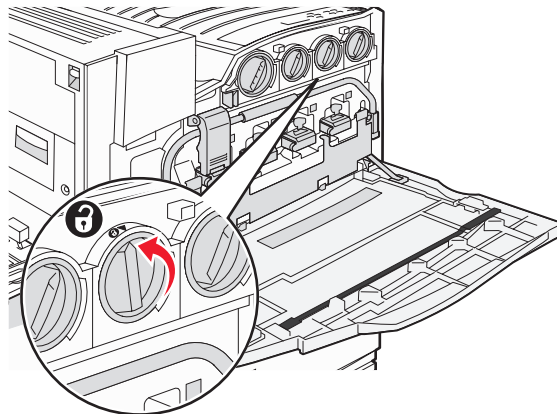
Replacing a toner cartridge

Replace the specified toner cartridge (cyan, magenta, yellow, or black) when **88 Replace <color> toner** appears. The printer will not continue printing until the specified cartridge is replaced.

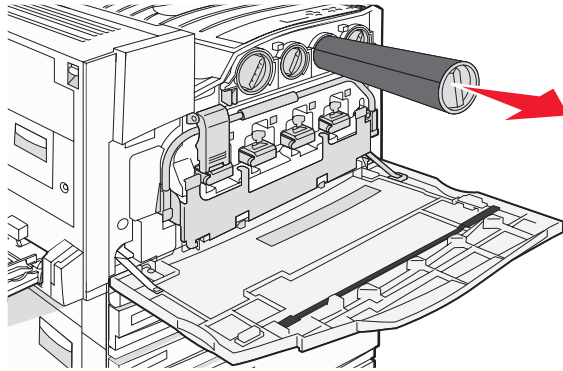
- 1** Make sure the printer is on and **Ready** or **88 Replace <color> toner** appears.
- 2** Unpack the new cartridge, and set it near the printer.
- 3** Open Door E (front printer door).



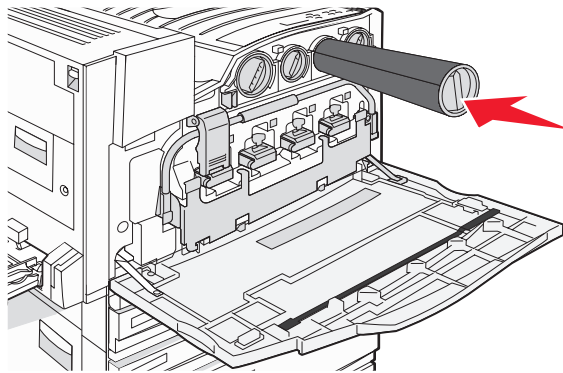
- 4** Unlock the specified cartridge by turning the cartridge counterclockwise until the arrow-shaped handle points toward the unlock symbol.



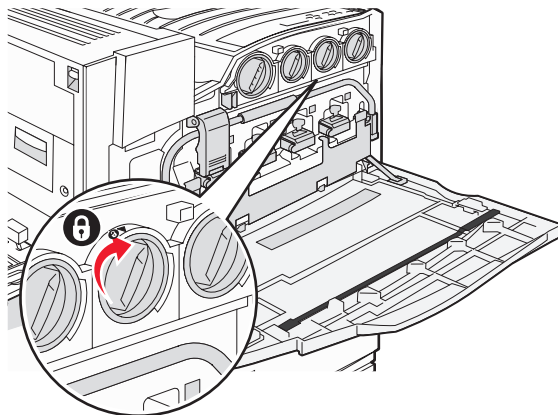
5 Remove the cartridge by gently pulling it away from the printer.



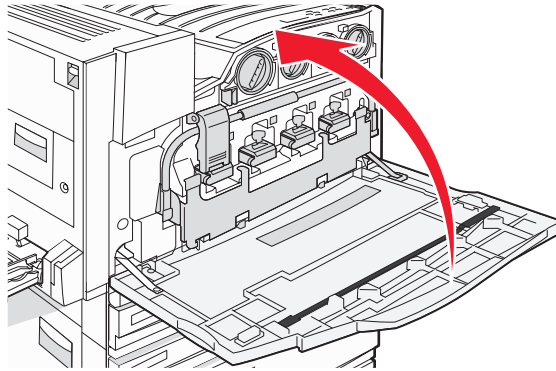
6 Align the arrow-shaped handle with the unlock symbol, and then insert the toner cartridge all the way into the opening.



7 Lock the cartridge by turning the arrow-shaped cartridge handle clockwise until it points toward the lock symbol.




8 Close Door E.



Cleaning the exterior of the printer

- 1 Make sure that the printer is turned off and unplugged from the wall outlet.

 **CAUTION:** To avoid the risk of electric shock, unplug the power cord from the wall outlet and disconnect all cables to the printer before proceeding.

- 2 Remove paper from the paper support and paper exit tray.

- 3 Dampen a clean, lint-free cloth with water.

Warning: Do not use household cleaners or detergents, as they may damage the finish of the printer.

- 4 Wipe only the outside of the printer, making sure to remove any ink residue that has accumulated on the paper exit tray.

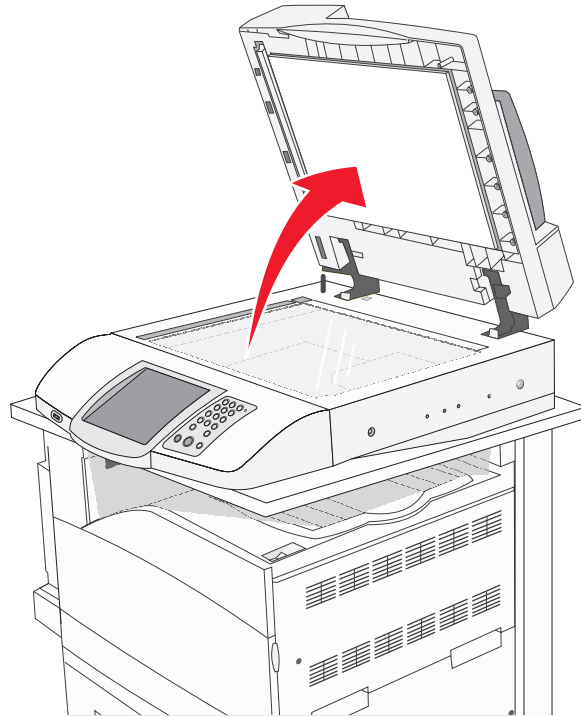
Warning: Using a damp cloth to clean the interior may cause damage to your printer.

- 5 Make sure the paper support and paper exit tray are dry before beginning a new print job.

Cleaning the scanner glass

Clean the scanner glass if you encounter print quality problems, such as streaks on copied or scanned images.

- 1 Slightly dampen a soft, lint-free cloth or paper towel with water.
- 2 Open the scanner cover.



- 3 Wipe the scanner glass until it is clean and dry.
- 4 Wipe the white underside of the scanner cover until it is clean and dry.
- 5 Close the scanner cover.

Recycling Lexmark products


To return Lexmark products to Lexmark for recycling:

- 1 Visit our Web site at www.lexmark.com/recycle.
- 2 Follow the instructions on the computer screen.

Moving the printer

If the printer location needs to change, or the printer and media handling options, like trays or finishers, need to be shipped to a new location, all media handling options must be removed from the printer. For shipping, pack the printer and media handling options securely to avoid damage.

Before moving the printer

 **CAUTION:** The base printer weighs 91.2 kg (201 lb); therefore, it requires two people to roll it safely. The scanner weighs 25 kg (55 lb); therefore, it requires two people to roll it safely while it is on its scanner shelf.

Follow these guidelines to avoid personal injury or printer damage:

- Use two people to roll the printer.
- Use two people to roll the scanner while it is on its scanner shelf.
- Before moving the printer:
 - Turn off the printer using the power switch, and then unplug the power cord from the wall outlet.
 - Disconnect all cords the cables from the printer.
 - Disconnect the connector bracket.
 - Remove all printer options.

Warning: Damage to the printer caused by improper moving is not covered by the printer warranty.

Moving the printer and options to another location within the office

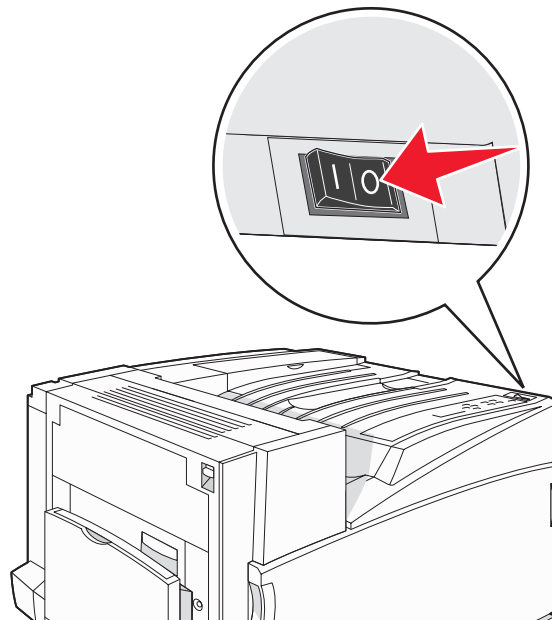
The printer and options can be safely moved to another location by following these precautions:

- Keep the printer in an upright position.
- Move the printer using a cart that has a surface able to support the full footprint of the printer. Move the options using a cart that has a surface able to support the dimensions of the options.
- Avoid severe jarring movements that may cause damage to the printer and options.

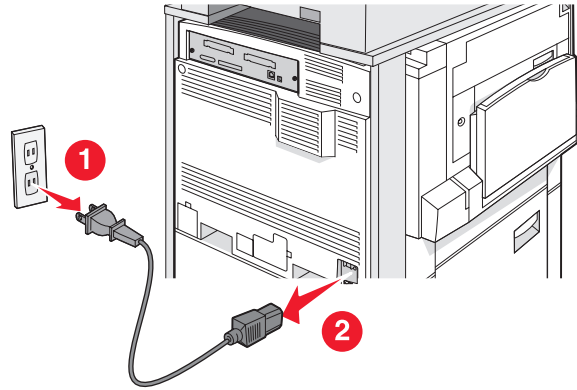
Disassemble the printer, scanner, and scanner shelf before moving items on any cart. For more information, see “Disassembling the printer from the scanner shelf prior to the move” on page 221.

Disassembling the printer from the scanner shelf prior to the move

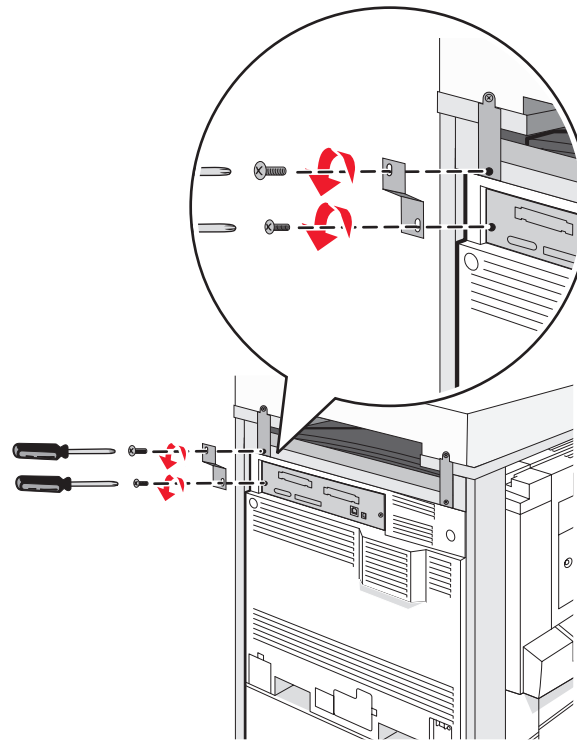
- 1 Turn the printer off.



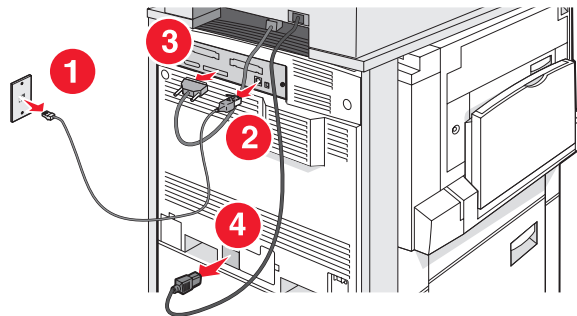
2 Unplug the printer power cord.



3 Remove the connector bracket.

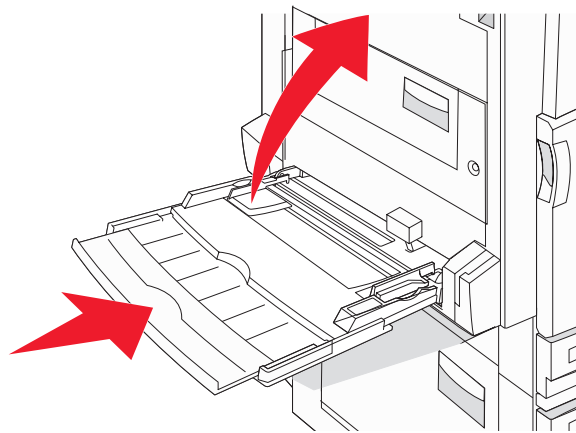


4 Disconnect all cables from the back of the printer and scanner.




5 Remove any paper or specialty media from the standard exit bin.


- 6 Remove any paper or specialty media from the multipurpose feeder.
- 7 Grasp the extension on the multipurpose feeder, and then fully collapse it.
- 8 Push the multipurpose feeder up to close it.



- 9 Move the printer from under the scanner shelf.

 **CAUTION:** The printer weighs 91.2 kg (201 lb); therefore, it requires two people to roll it safely.

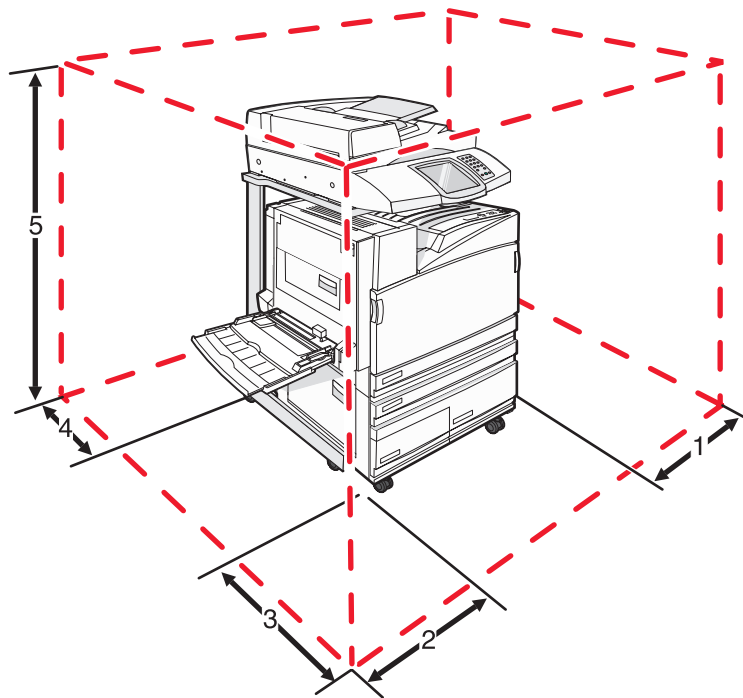


 **CAUTION:** If you need to roll the scanner and its shelf elsewhere, the scanner weighs 25 kg (55 lb); therefore, it requires two people to roll it safely.

Setting the printer up in a new location

To set up your printer configuration again:

- 1 Unpack all items.
- 2 Select a proper location for the printer. For a basic printer, or a printer with an optional finisher, allow the following *recommended* amount of space around the printer:



1	50 mm (2 in.)
2	825 mm (2.7 ft)
3	418 mm (1.4 ft)
4	100 mm (4 in.)
5	1750 mm (5.8 ft)

- 3 Complete the setup of the printer and scanner by completing the “Setting up the printer” chapter in the *Setup Guide*.
- 4 Verify that the printer and scanner are functioning properly by printing a menu settings page.






Shipping the printer

If shipping the printer, the scanner, and any options, save the original packaging or call the place of purchase for a relocation kit. Disassemble all the items before packing. For more information, see “Disassembling the printer from the scanner shelf prior to the move” on page 221.

Administrative support





Adjusting the brightness of the display

If you are having trouble reading your display, the LCD brightness can be adjusted through the Settings menu.



- 1 Make sure the printer is on and **Ready** appears.
- 2 On the home screen, touch .
- 3 Touch **Settings**.
- 4 Touch **General Settings**.
- 5 Touch  repeatedly until **Brightness** appears.
- 6 Touch  to decrease the brightness, or touch  to increase the brightness.
Brightness settings can be adjusted from 5–100 (100 is the factory default setting).
- 7 Touch **Submit**.
- 8 Touch .





Disabling control panel menus

Since many people often use a printer, a support person may choose to lock the control panel menus so that the settings cannot be changed from the control panel.





- 1 Turn the printer off.
- 2 From the keypad, hold down  and  while turning the printer on.
- 3 Release the buttons when the screen with the progress bar appears.
The printer performs a power-on sequence, and then the Configuration menu appears.
- 4 Touch  repeatedly until **Panel Menu** appears.
- 5 Touch **Panel Menu**.
- 6 Touch  until **Disable** appears.
- 7 Touch **Submit**.
- 8 Touch **Exit Config Menu**.

Adjusting Power Saver

- 1 Make sure the printer is on and **Ready** appears.
- 2 On the home screen, touch .
- 3 Touch **Settings**.
- 4 Touch **General Settings**.
- 5 Touch  repeatedly until **Timeouts** appears.

- 6 Touch  repeatedly until **Power Saver** appears.
- 7 Touch  to decrease the time, or touch  to increase the time.
The settings available range from 2–240 minutes.
- 8 Touch **Submit**.
- 9 Touch .




Restoring the factory default settings

- 1 Make sure the printer is on and **Ready** appears.
- 2 On the home screen, touch .
- 3 Touch **Settings**.
- 4 Touch **General Settings**.
- 5 Touch  repeatedly until **Factory Defaults** appears.
- 6 Touch  until **Restore Now** appears.
- 7 Touch **Submit**.
- 8 Touch .

Encrypting the printer hard disk

This functionality is available only when a printer hard disk is installed and working properly.

Warning: All files and resources on the printer hard disk will be deleted. Resources residing in the printer flash memory or RAM will not be affected.

- 1 Turn the printer off.
- 2 From the keypad, hold down  and  while turning the printer on.
- 3 Release the buttons when the screen with the progress bar appears.
The printer performs a power-on sequence, and then the Configuration menu appears.
- 4 On the display, touch  repeatedly until **Disk Encryption** appears.
- 5 Touch **Disk Encryption**.
- 6 Touch **Enable** or **Disable**.
Note: Touch **Enable** to enable hard disk encryption or **Disable** to disable hard disk encryption.
Contents will be lost. Continue? appears.
- 7 Touch **Yes**.
- 8 Touch **Exit Config Menu**.

Locking the control panel menus using the Embedded Web Server

You can use the control panel lockout functionality to create a PIN and choose specific menus to lock. Each time a locked menu is selected, the user will be prompted to enter the correct PIN. The PIN does not affect access through the Embedded Web Server.

To lock control panel menus:

- 1 Open a Web browser. In the address bar, type the IP address of the printer or print server to be protected using the format: *http://ip_address/*.
- 2 Click **Configuration**.
- 3 Under Other Settings, click **Security**.
- 4 Click **Menu Lockout Setup**.

Locking the entire printer

You can use the printer lockout functionality to create a PIN that must be entered in order to use the printer. When the printer is locked, every print job it receives will buffer to the hard disk. To print the jobs, the user must enter the correct PIN using the control panel.

Notes:

- A printer hard disk must be installed in the printer and working properly for the printer lockout functionality to be available.
- Some data will continue to be processed while the printer is locked. Reports such as user or event logs can be retrieved from a locked printer.

To lock control panel menus:

- 1 Open a Web browser. In the address bar, type the IP address of the printer or print server to be protected using the format: *http://ip_address/*.
- 2 Click **Configuration**.
- 3 Under Other Settings, click **Security**.
- 4 Click **Printer Lockout PIN**.

Modifying confidential print settings

You can modify confidential print settings using the Embedded Web Server. You can set a maximum number of PIN entry attempts. When a user exceeds a specific number of PIN entry attempts, all of the jobs for that user are deleted.

You can set an expiration time for confidential print jobs. When a user has not printed the jobs within the designated time period, all of the jobs for that user are deleted.

Note: This functionality is only available on network printers.

To modify the confidential print settings:

- 1 Open a Web browser. In the address bar, type the IP address of the printer or print server to be protected using the format: *http://ip_address/*.
- 2 Click **Configuration**.
- 3 Under Other Settings, click **Security**.
- 4 Click **Confidential Print Setup**.

Supporting IPSec

Internet Protocol Security (IPSec) provides authentication and encryption at the network layer allowing all application and network connections over the IP protocol to be secure. IPSec can be set up between the printer and up to five hosts, using both IPv4 and IPv6.

To configure IPSec using the Embedded Web Server:

- 1 Open a Web browser. In the address bar, type the IP address of the printer or print server to be protected using the format: *http://ip_address*.
- 2 Click **Configuration**.
- 3 Under Other Settings, click **Network/Ports**.
- 4 Click **IPSec**.

IPSec supports two types of authentication:

- **Shared Key Authentication**—Authenticates any ASCII phrase shared among all participating host computers. This is the easiest way to configure when only a few host computers on the network use IPSec.
- **Certificate Authentication**—Authenticates any host computer or subnet of hosts for IPSec. Each host computer must have a public/private key pair. Validate Peer Certificate is enabled by default, requiring each host to have a signed authority certificate that is installed. Each host must have its identifier in the Subject Alternate Name field of the signed certificate.

Note: After a printer is configured for IPSec with a host, IPSec is required for any IP communications to take place.

Supporting SNMPv3

Simple Network Management Protocol version 3 (SNMPv3) allows for encrypted and authenticated network connections. It also lets a system support person select the desired level of security. Prior to use, at least one user name and password must be assigned from the settings page.

To configure SNMPv3 through the Embedded Web Server:

- 1 Open a Web browser. In the address bar, type the IP address of the printer or print server to be protected using the format: *http://ip_address/*.
- 2 Click **Configuration**.
- 3 Under Other Settings, click **Network/Ports**.
- 4 Click **SNMP**.

SNMPv3 authentication and encryption has three levels of support:

- No authentication and no encryption
- Authentication with no encryption
- Authentication and encryption

Using 802.1x authentication

802.1x authentication allows the printer to join networks that require authentication before allowing access. 802.1x port authentication can be used with the WPA (Wi-Fi Protected Access) feature of wireless printers or print servers to provide WPA-Enterprise security support.

Support for 802.1x requires the establishment of credentials for the printer, such as certificates. Certificates provide a way for the printer to be known to the Authentication Server (AS). The AS allows network access to wireless printers or print servers presenting a valid set of credentials. You can manage the credentials by using the Embedded Web Server.

To install and use certificates as part of the credentials:

- 1 Open a Web browser. In the address bar, type the IP address of the printer or print server to be protected using the format: *http://ip_address/*.
- 2 Click **Configuration**.
- 3 Under Other Settings, click **Network/Ports**.
- 4 Click **Certificate Management**.

To enable and configure 802.1x after installing the required certificates:

- 1 Open a Web browser. In the address bar, type the IP address of the printer or print server to be protected using the format: *http://ip_address/*.
- 2 Click **Configuration**.
- 3 Under Other Settings, click **Network/Ports**.
- 4 Click **802.1x Authentication**. If a wireless internal print server is installed in the printer, click **Wireless** instead.

Creating an administrative password

Creating an administrative password allows a system support person to password-protect printer settings. Once a password is created, it must be entered to access the Configuration and Reports pages of the Embedded Web Server. An administrative password for the Embedded Web Server must be created before Secure mode can be activated.

- 1 Open a Web browser.
- 2 In the address bar, type the network printer or print server IP address, and then press **Enter**.
- 3 Click **Configuration**.
- 4 Under Other Settings, click **Security**.
- 5 Click **Create Password**.
- 6 Type the same password in each Password box.
Changing this setting will cause the print server to reset.
- 7 Click **Submit**.

Using Secure mode

Secure mode is a way to securely communicate over Transmission Control Protocol (TCP) and User Datagram Protocol (UDP) ports.

Note: An administrative password for the Embedded Web Server must be created before Secure mode can be enabled.

To configure Secure mode using the Embedded Web Server:

- 1 Open a Web browser.
- 2 In the address bar, type the network printer or print server IP address, and then press **Enter**.
- 3 Click **Configuration**.
- 4 Under Other Settings, click **Security**.

5 Click **TCP/IP Port Access**.

6 Select the Secure Mode Active check box.

Note: If Secure Mode Active is gray or not selectable, create an administrative password and try again.

7 Select a setting for each listed port, and then click **Submit**.

There are three ways to configure the TCP and UDP network ports:

- **Disabled**—Port is disabled and never allows network connections
- **Secure and Unsecure**—Port is always open including when the printer is in Secure mode
- **Unsecured Only**—Port is open only when printer is in Secure mode

Troubleshooting

Checking an unresponsive printer

If your printer is not responding, make sure:

- The power cord is plugged into the printer and a properly grounded electrical outlet.
- The electrical outlet is not turned off by any switch or breaker.
- The *Ground Fault Circuit Interrupter* (GFCI) has not tripped.

From the back of the printer, press the GFCI **Reset** button located above the printer power cord.

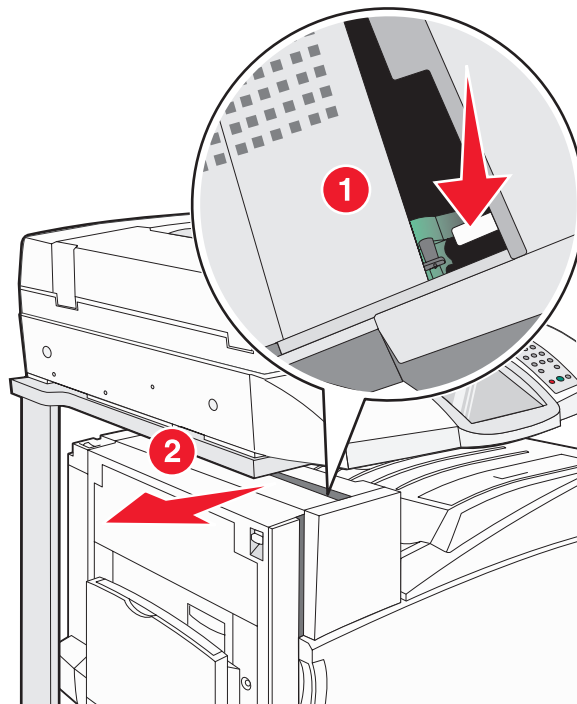
- The printer is not plugged into any surge protectors, uninterrupted power supplies, or extension cords.
- Other electrical equipment plugged into the outlet is working.
- The printer is turned on.
- The printer cable is securely attached to the printer and the host computer, print server, option, or other network device.

Once you have checked each of these possibilities, turn the printer off and then back on. This often fixes the problem.

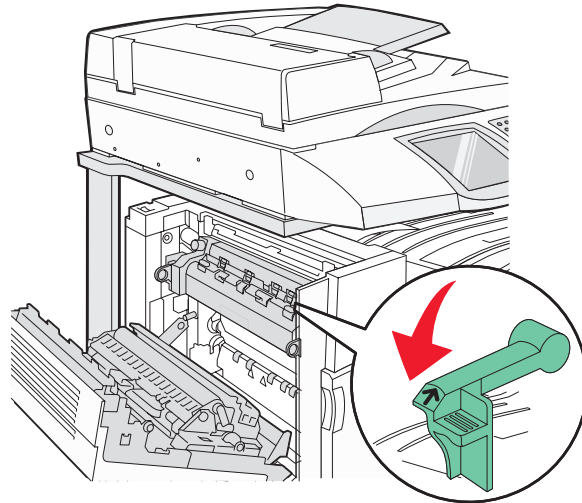
Door A will not shut properly

Make sure the green paper jam clearance lever behind Door A is in place:

- 1 Press down on the white release lever beneath Door A at the top of the printer, and then open the door.



- 2 Press the A1 green lever down to its normal position.



- 3 Close Door A.

Solving printing problems

Multiple-language PDFs do not print

The documents contain unavailable fonts.

- 1 Open the document you want to print in Adobe Acrobat.
- 2 Click the printer icon.
The Print dialog appears.
- 3 Select **Print as image**.
- 4 Click **OK**.

Control panel display is blank or displays only diamonds

The printer self test failed. Turn the printer off, wait about 10 seconds, and then turn the printer back on.

If **Performing Self Test** and **Ready** do not appear, turn the printer off and contact Customer Support.

Error message about reading USB drive appears

Make sure the USB drive is supported. For information regarding tested and approved USB flash memory devices, visit the Lexmark Web site at www.lexmark.com.

Jobs do not print

These are possible solutions. Try one or more of the following:

Make sure the printer is ready to print

Make sure **Ready** or **Power Saver** appears on the display before sending a job to print.

Check to see if the standard exit bin is full

Remove the stack of paper from the standard exit bin.

Check to see if the paper tray is empty

Load paper in the tray.

Make sure the correct printer software is installed

- Verify that you are using the correct printer software.
- If you are using a USB port, make sure you are running Windows Vista, Windows XP, Windows Server 2003, or Windows 2000/Me/98 and using compatible printer software.

Make sure the internal print server is installed properly and working

- Make sure the internal print server is properly installed and that the printer is connected to the network.
- Print a network setup page and check that the status shows **Connected**. If the status is **Not Connected**, check the network cables, and then try printing the network setup page again. Contact your system support person to make sure the network is functioning correctly.

Copies of the printer software are also available on the Lexmark Web site at www.lexmark.com.

Make sure you are using a recommended USB, serial, or Ethernet cable

For more information, visit the Lexmark Web site at www.lexmark.com.

Make sure printer cables are securely connected

Check the cable connections to the printer and print server to make sure they are secure.

For more information, see the setup documentation that came with the printer.

Confidential and other held jobs do not print

These are possible solutions. Try one or more of the following:

Has a formatting error occurred?

If so, delete the job and try printing it again. Only part of the job may print.

Make sure the printer has sufficient memory

Free up additional printer memory by scrolling through the list of held jobs and deleting some of them.

Check to see if the printer has received invalid data

Delete invalid jobs.


Job takes longer than expected to print




These are possible solutions. Try one or more of the following:

Reduce the complexity of the print job

Eliminate the number and size of fonts, the number and complexity of images, and the number of pages in the job.

Change the Page Protect setting to Off

- 1 Make sure the printer is on and **Ready** appears.
- 2 On the home screen, touch .
- 3 Touch **Settings**.
- 4 Touch **General Settings**.

- 5 Touch  repeatedly until **Print Recovery** appears.
- 6 Touch  until **Off** appears.
- 7 Touch **Submit**.
- 8 Touch .

Job prints from the wrong tray or on the wrong paper

Check the Paper Type setting

Make sure the Paper Type setting matches the paper loaded in the tray.

Incorrect characters print

Cause	Solution
Printer is in Hex Trace mode.	If Ready Hex appears on the display, you must exit Hex Trace mode before you can print your job. Turn the printer off and back on to exit Hex Trace mode.

Tray linking does not work

Are the same size and type of paper loaded in each tray?

- Load the same size and type of paper in each tray.
- Move the paper guides to the correct positions for the paper size loaded in each tray.

Are the Paper Size and Paper Type settings the same for each tray?

- Print a menu settings page and compare the settings for each tray.
- If necessary, adjust the settings from the Paper Size/Type menu.

Note: The multipurpose feeder does not automatically sense the paper size. You must set the size from the Paper Size/Type menu.

Large jobs do not collate

These are possible solutions. Try one or more of the following:

Make sure Collate is set to On

From the Finishing menu or Print Properties, set Collate to On.

Note: Setting Collate to Off in the software overrides the setting in the Finishing menu.

Reduce the complexity of the print job


Reduce the complexity of the print job by eliminating the number and size of fonts, the number and complexity of images, and the number of pages in the job.


Make sure the printer has enough memory

Add printer memory or an optional hard disk.

Unexpected page breaks occur

Increase the Print Timeout value:

- 1 Make sure the printer is on and **Ready** appears.
- 2 On the home screen, touch .

- 3 Touch **Settings**.
- 4 Touch **General Settings**.
- 5 Touch ▼ repeatedly until **Timeouts** appears.
- 6 Touch **Timeouts**.
- 7 Touch the ► next to Print Timeout repeatedly until the desired value appears.
- 8 Touch **Submit**.
- 9 Touch .

Solving copy problems

Copier does not respond

These are possible solutions. Try one or more of the following:

Are there any error messages on the display?

Clear any error messages.

Check the power

Make sure the printer is plugged in, the power is on, and **Ready** appears.

Scanner unit does not close

Make sure there are no obstructions:

- 1 Lift the scanner unit.
- 2 Remove any obstruction keeping the scanner unit open.
- 3 Lower the scanner unit.

Poor copy quality

These are some examples of poor copy quality:

- Blank pages
- Checkerboard pattern
- Distorted graphics or pictures
- Missing characters
- Faded print
- Dark print
- Skewed lines
- Smudges
- Streaks
- Unexpected characters
- White lines in print

These are possible solutions. Try one or more of the following:

Are there any error messages on the display?

Clear any error messages.

Is the toner low?

When **88 <color> Toner Low** appears or when the print becomes faded, replace the toner cartridge(s).

Is the scanner glass dirty?

Clean the scanner glass with a clean, lint-free cloth dampened with water.

Is the copy too light or too dark?

Adjust the density of the copy.

Check the quality of the original document

Make sure the quality of the original document is satisfactory.

Check the document placement

Make sure the document or photo is loaded facedown on the scanner glass in the upper left corner.

Unwanted toner is in the background

- Increase the background removal setting.
- Adjust the darkness to a lighter setting.

Patterns (moiré) appear in the output

- On the copy screen, touch the Text/Photo or Printed Image icon.
- Rotate the original document on the scanner glass.
- On the copy screen, adjust the scale setting.

Black text is light or disappearing

- On the copy screen, touch the Text icon.
- Decrease the background removal setting.
- Increase the contrast setting.
- Decrease the shadow detail setting.

The output appears washed out or overexposed

- On the copy screen, touch the Printed Image icon.
- Decrease the background removal setting.

Partial document or photo copies

These are possible solutions. Try one or more of the following:

Check the document placement

Make sure the document or photo is loaded facedown on the scanner glass in the upper left corner.

Check the Paper Size setting

Make sure the Paper Size setting matches the paper loaded in the tray.

Solving scanner problems

Checking an unresponsive scanner

If your scanner is not responding, make sure:

- The three cables located on the back of the scanner are attached to the printer securely.
- The printer is turned on.
- The printer cable is securely attached to the printer and the host computer, print server, option, or other network device.
- The power cord is plugged into the printer and a properly grounded electrical outlet.
- The electrical outlet is not turned off by any switch or breaker.
- The printer is not plugged into any surge protectors, uninterruptible power supplies, or extension cords.
- Other electrical equipment plugged into the outlet is working.

Once you have checked each of these possibilities, turn the printer off and then back on. This often fixes the problem with the scanner.

Scan was not successful

These are possible solutions. Try one or more of the following:

Check the cable connections

Make sure the network or USB cable is securely connected to the computer and the printer.

An error may have occurred in the program

Turn off and then restart the computer.

Scanning takes too long or freezes the computer

These are possible solutions. Try one or more of the following:

Do you have any other software programs running?

Close all programs not being used.

The scan resolution may be set too high

Select a lower scan resolution.

Poor scanned image quality

These are possible solutions. Try one or more of the following:

Are there any error messages on the display?

Clear any error messages.

Is the scanner glass dirty?

Clean the scanner glass with a clean, lint-free cloth dampened with water.

Adjust the scan resolution

Increase the resolution of the scan for a higher quality output.

Check the quality of the original document

Make sure the quality of the original document is satisfactory.

Check the document placement

Make sure the document or photo is loaded facedown on the scanner glass in the upper left corner.

Partial document or photo scans

These are possible solutions. Try one or more of the following:

Check the document placement

Make sure the document or photo is loaded facedown on the scanner glass in the upper left corner.

Check the Paper Size setting

Make sure the Paper Size setting matches the paper loaded in the tray.

Cannot scan from a computer

These are possible solutions. Try one or more of the following:

Are there any error messages on the display?

Clear any error messages.

Check the power

Make sure the printer is plugged in, the power is on, and **Ready** appears.

Check the cable connections

Make sure the network or USB cable is securely connected to the computer and the printer.

Solving fax problems

Caller ID is not shown

Contact your telecommunications company to verify that your telephone line is subscribed to the caller ID service.

If your region supports multiple caller ID patterns, you may have to change the default setting. There are two settings available: FSK (pattern 1) and DTMF (pattern 2). The availability of these settings by way of the Fax menu depends on whether your country or region supports multiple caller ID patterns. Contact your telecommunications company to determine which pattern or switch setting to use.

Cannot send or receive a fax

These are possible solutions. Try one or more of the following:

Are there any error messages on the display?

Clear any error messages.

Check the power

Make sure the printer is plugged in, the power is on, and **Ready** appears.

Check the printer connections

Make sure the cable connections for the following hardware are secure, if applicable:

- Telephone
- Handset
- Answering machine

Check the telephone wall jack

- 1 Plug a telephone into the wall jack.
- 2 Listen for a dial tone.
- 3 If you do not hear a dial tone, plug a different telephone into the wall jack.
- 4 If you still do not hear a dial tone, plug a telephone into a different wall jack.
- 5 If you hear a dial tone, connect the printer to that wall jack.

Review this digital phone service checklist

The fax modem is an analog device. Certain devices can be connected to the printer so that digital telephone services can be used.

- If you are using an ISDN telephone service, connect the printer to an analog telephone port (an R-interface port) on an ISDN terminal adapter. For more information and to request an R-interface port, contact your ISDN provider.
- If you are using DSL, connect to a DSL filter or router that will support analog use. For more information, contact your DSL provider.
- If you are using a PBX telephone service, make sure you are connecting to an analog connection on the PBX. If none exists, consider installing an analog telephone line for the fax machine.

Is there a dial tone?

- Place a test call to the telephone number to which you want to send a fax to make sure that it is working correctly.
- If the telephone line is being used by another device, wait until the other device is finished before sending a fax.
- If you are using the On Hook Dial feature, turn up the volume to verify a dial tone.

Temporarily disconnect other equipment

To ensure the printer is working correctly, connect it directly to the telephone line. Disconnect any answering machines, computers with modems, or telephone line splitters.

Check for jams

Clear any jams, and then make sure that **Ready** appears.

Temporarily disable Call Waiting

Call Waiting can disrupt fax transmissions. Disable this feature before sending or receiving a fax. Call your telephone company to obtain the keypad sequence for temporarily disabling Call Waiting.

Do you have Voice Mail service?

Voice Mail offered through your local telephone company may disrupt fax transmissions. To enable both Voice Mail and the printer to answer calls, you may want to consider adding a second telephone line for the printer.

Is the printer memory full?

- 1 Dial the fax number.
- 2 Scan the original document one page at a time.

Can send but not receive faxes

These are possible solutions. Try one or more of the following:

Is there paper in the paper tray(s)?

Make sure paper is loaded in the tray(s).

Check the ring count delay settings

The ring count delay sets the number of times the phone line rings before the printer answers in Fax Only or Fax Tel modes. If you have extension phones on the same line as the printer, or subscribe to the telephone company's Distinctive Ring service, keep the Ring Delay setting at 4.

- 1 Open a Web browser.
- 2 In the address bar, type the IP address of the printer, and then press **Enter**.
- 3 Click **Configuration**.
- 4 Click **Fax Settings**.
- 5 Click **Analog Fax Setup**.
- 6 In the Rings to Answer box, enter the number of times you want the phone to ring before answering.
- 7 Click **Submit**.

Is the toner low?

88 `<color> toner low` appears when the toner is low.

Can receive but not send faxes

These are possible solutions. Try one or more of the following:

Is the printer in Fax mode?

On the home screen, touch Fax to put the printer in Fax mode.

Is the document loaded properly?

Load the original document faceup, short-edge first into the ADF or facedown on the scanner glass in the upper left corner.

Note: Do not load postcards, photos, small items, transparencies, photo paper, or thin media (such as magazine clippings) into the ADF. Place these items on the scanner glass.

Make sure the shortcut number is set up properly

- Check to make sure the shortcut number has been programmed for the number that you want to dial.
- As an alternative, dial the telephone number manually.

Received fax has poor print quality

These are possible solutions. Try one or more of the following:

Can the document be re-sent?

Ask the person who sent you the fax to:

- Check that the quality of the original document is satisfactory.
- Resend the fax. There may have been a problem with the quality of the telephone line connection.

- Increase the fax scan resolution, if possible.

Is the toner low?

When **88 <color> toner low** appears or when you experience faded print, replace the cartridge(s).

Make sure the fax transmission speed is not set too high

Decrease the incoming fax transmission speed:

- 1 Open a Web browser.
- 2 In the address bar, type the IP address of the printer, and then press **Enter**.
- 3 Click **Configuration**.
- 4 Click **Fax Settings**.
- 5 Click **Analog Fax Setup**.
- 6 In the Max Speed box, click on one of the following:
 - 2400
 - 4800
 - 9600
 - 14400
 - 33600
- 7 Click **Submit**.

Blocking junk faxes

- 1 Open a Web browser.
- 2 In the address bar, type the IP address of the printer and, then press **Enter**.
- 3 Click **Configuration**.
- 4 Click **Fax Settings**.
- 5 Click **Analog Fax Setup**.
- 6 Click the **No Name Fax** option.

This option blocks all incoming faxes that have a private caller ID or no fax station name.
- 7 In the Banned Fax List field, enter the phone numbers or fax station names of specific fax callers you want to block.

Solving option problems

Option does not operate correctly or quits after it is installed

These are possible solutions. Try one or more of the following:

Reset the printer

Turn the printer off, wait for about 10 seconds, and then turn the printer on.

Check to see if the option is connected to the printer

- 1 Turn the printer off.
- 2 Unplug the printer.
- 3 Check the connection between the option and the printer.

Make sure the option is installed

Print a menu settings page and check to see if the option is listed in the Installed Options list. If the option is not listed, reinstall it.

Make sure the option is selected

From the program you are using, select the option. Mac OS 9 users should make sure the printer is set up in the Chooser.

Drawers

Make sure the paper is loaded correctly

- 1 Open the paper tray.
- 2 Check for paper jams or misfeeds.
- 3 Make sure paper guides are aligned against the edges of the paper.
- 4 Make sure the paper tray closes properly.
- 5 Close the door.

Reset the printer

Turn the printer off. Wait 10 seconds. Turn the printer back on.

Finisher

If the finisher does not operate correctly, these are possible solutions. Try one or more of the following:

Make sure the connection between the finisher and the printer is secure

If the finisher is listed on the menu settings page, but paper jams when it exits the printer and enters the finisher, it may not be properly installed. Reinstall the finisher. For more information, see the hardware setup documentation that shipped with the finisher.

Make sure you are using a paper size that is compatible with the finisher exit bins

For more information about supported paper sizes, click **View User's Guide and Documentation** on the *Software and Documentation* CD.

Flash memory card

Make sure the flash memory card is securely connected to the printer system board.

Hard disk with adapter

Make sure the hard disk is securely connected to the printer system board.

Internal print server

If the internal print server does not operate correctly, these are possible solutions. Try one or more of the following:

Check the print server connections

- Make sure the internal print server is securely attached to the printer system board.
- Make sure you are using the correct (optional) cable and that it is securely connected.

Make sure the network software is configured correctly

For information about installing software for network printing, click **View User's Guide and Documentation** on the *Software and Documentation CD*.

Memory card

Make sure the memory card is securely connected to the printer system board.

USB/parallel interface card

Check the USB/parallel interface card connections:

- Make sure the USB/parallel interface card is securely connected to the printer system board.
- Make sure you are using the correct cable and that it is securely connected.

Solving paper feed problems

Paper frequently jams

These are possible solutions. Try one or more of the following:

Check the paper

Use recommended paper and other specialty media. For more information, see the chapter about paper and specialty media guidelines.

Make sure there is not too much paper in the paper tray

Make sure the stack of paper you load does not exceed the maximum stack height indicated in the tray or on the multipurpose feeder.

Check the paper guides

Move the guides in the tray to the correct positions for the paper size loaded.

Has the paper absorbed moisture due to high humidity?

- Load paper from a fresh package.
- Store paper in its original wrapper until you use it.

Paper jam message remains after jam is cleared

The paper path is not clear. Clear jammed paper from the entire paper path, and then press .

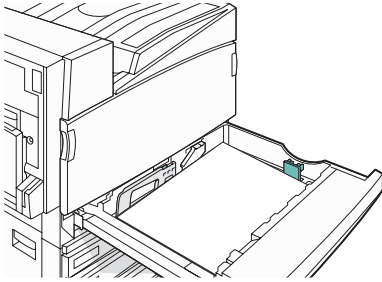
Print jobs are not routed to the booklet-maker bin

These are possible solutions. Try one or more of the following:

Check the paper

Make sure the paper is loaded in a 520-sheet tray or the multipurpose feeder. If the paper is loaded in the multipurpose feeder, make sure it is loaded short-edge first.

Note: Do not load A4- or letter-size paper in the multipurpose feeder.



Is the letter- or A4-size paper loaded in a 520-sheet tray?



The finisher will not accept letter- or A4-size paper from the multipurpose feeder. Load letter- or A4-size paper in the short-edge orientation in a 520-sheet tray.

Make sure the paper size is supported by the booklet-maker bin (Bin 2)

Use one of the following paper sizes supported by Bin 2: A3, A4, B4, folio, legal, letter, or tabloid (11 x 17 in.).

Page that jammed does not reprint after you clear the jam

In the Setup menu, Jam Recovery is set to Off. Set Jam Recovery to Auto or On:

- 1 Make sure the printer is on and **Ready** appears.
- 2 On the home screen, touch .
- 3 Touch **Settings**.
- 4 Touch **General Settings**.
- 5 Touch ▼ repeatedly until **Print Recovery** appears.
- 6 Touch **Print Recovery**.
- 7 Touch ▶ next to Jam Recovery until **On** or **Auto** appears.
- 8 Touch **Submit**.
- 9 Touch .

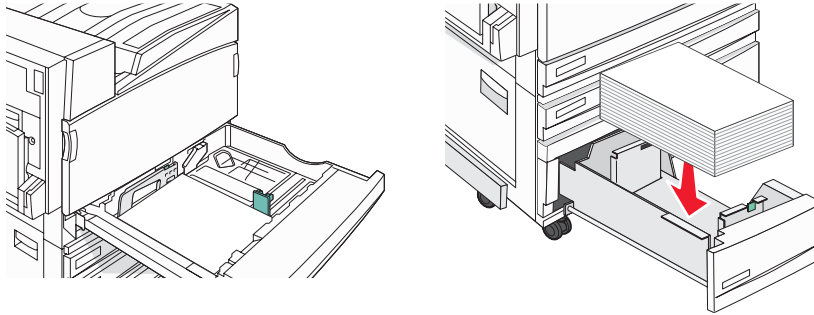
Solving print quality problems

The information in the following topics may help you solve print quality problems. If these suggestions still do not correct the problem, contact Customer Support. You may have a printer part that requires adjustment or replacement.

Isolating print quality problems

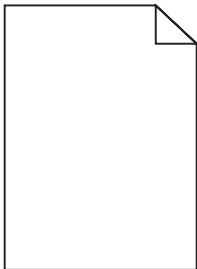
To help isolate print quality problems, print the print quality test pages:

- 1 Turn the printer off.
- 2 Load letter- or A4-size paper in the tray in the long-edge orientation.



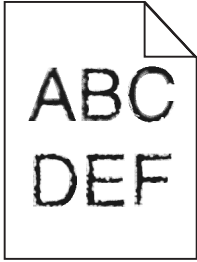
- 3 From the keypad, hold down **2** and **6** while turning the printer on.
- 4 Release the buttons when the screen with the progress bar appears.
The printer performs a power-on sequence, and then the Configuration menu appears.
- 5 On the display, touch **▼** repeatedly until **Print Quality Pages** appears.
- 6 Touch **Print Quality Pages**.
The print quality test pages print.
- 7 Touch **Exit Config Menu**.

Blank pages



The printer may need to be serviced. For more information, contact Customer Support.

Characters have jagged or uneven edges



If you are using downloaded fonts, verify that the fonts are supported by the printer, the host computer, and the software program.

Clipped images

These are possible solutions. Try one or more of the following:

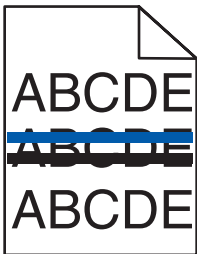
Check the paper guides

Move the guides in the tray to the correct positions for the paper size loaded.

Check the Paper Size setting

Make sure the Paper Size setting matches the paper loaded in the tray.

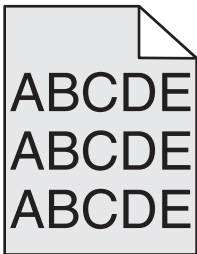
Dark lines



One or more of the photoconductors may be defective.

If an **84 Color pc unit life warning**, **84 Black pc unit life warning**, **84 Replace color pc units**, or **84 Replace black pc unit** message appears, replace the photoconductor(s).

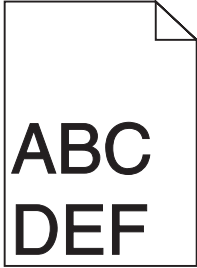
Gray background



Reduce the Toner Darkness setting

From Print Properties, select a different Toner Darkness setting before sending the job to print.

Incorrect margins



Check the paper guides

Move the guides in the tray to the correct positions for the paper size loaded.

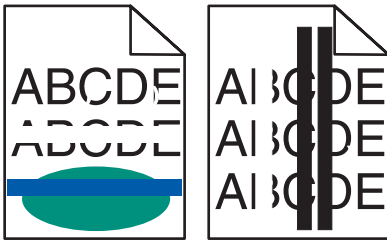
Check the Paper Size setting

Make sure the Paper Size setting matches the paper loaded in the tray.

Check the Page size setting

Before sending the job to print, specify the correct page size in Print Properties or the software program.

Light colored line, white line, or incorrectly colored line



These are possible solutions. Try one or more of the following:

Clean the printhead lenses

The printhead lenses may be dirty.

Is a toner cartridge defective?

Replace the toner cartridge.

Are the photoconductors defective?

Replace the photoconductor(s).

Note: The printer has four photoconductors: cyan, magenta, yellow, and black. The cyan, magenta, and yellow photoconductors must all be replaced at the same time. The black photoconductor can be replaced separately.

Is the transfer belt defective?

Replace the transfer belt.

Paper curl

These are possible solutions. Try one or more of the following:

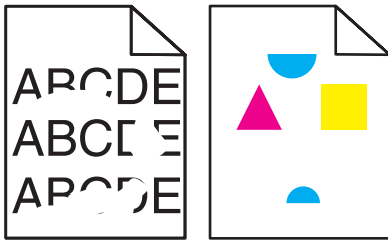
Check the Paper Type setting

Make sure the Paper Type setting matches the paper loaded in the tray.

Has the paper absorbed moisture due to high humidity?

- Load paper from a fresh package.
- Store paper in its original wrapper until you use it.

Print irregularities



These are possible solutions. Try one or more of the following:

Has paper absorbed moisture due to high humidity?

- Load paper from a fresh package.
- Store paper in its original wrapper until you use it.

Check the Paper Type setting

Make sure the Paper Type setting matches the paper loaded in the tray.

Check the paper

Avoid textured paper with rough finishes.

Is the toner low?

When **88 <color> toner low** appears or when you experience faded print, you may be able to extend the life of the toner cartridge:

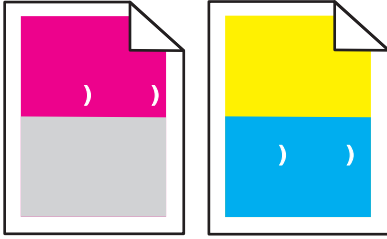
- 1** Remove the toner cartridge.
- 2** Firmly shake the cartridge side-to-side and front-to-back several times to redistribute toner.
- 3** Reinsert the toner cartridge and continue printing.

Note: Repeat this procedure multiple times until the print remains faded, and then replace the toner cartridge.

Is the fuser worn or defective?

Replace the fuser.

Repeating defects



Do marks occur repeatedly only in one color and multiple times on a page?

Replace the photoconductor(s) if the defects occur every:

- 44 mm (1.7 in.)
- 94 mm (3.7 in.)

Note: The printer has four photoconductors: cyan, magenta, yellow, and black. The cyan, magenta, and yellow photoconductors must all be replaced at the same time. The black photoconductor can be replaced separately.

Skewed print

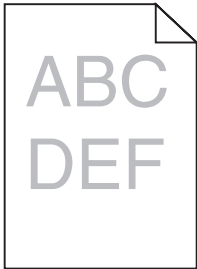
Check the paper guides

Move the guides in the tray to the correct positions for the paper size loaded.

Check the paper

Make sure you are using paper that meets the printer specifications.

Print is too light



These are possible solutions. Try one or more of the following:

Check the darkness, brightness, and contrast settings

The Toner Darkness setting is too dark, the RGB Brightness setting is too dark, or the RGB Contrast setting is too high.

- From Print Properties, change these settings.
Note: This solution applies to Windows users only.
- From the Quality menu, change these settings.

Has the paper absorbed moisture due to high humidity?

- Load paper from a fresh package.
- Store paper in its original wrapper until you use it.

Check the paper

Avoid textured paper with rough finishes.

Check the Paper Type setting

Make sure the Paper Type setting matches the paper loaded in the tray.

Make sure Color Saver is set to Off

Color Saver may be set to On.

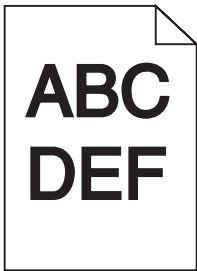
Is the toner low?

When **88 <color> toner low** appears order a new cartridge.

A toner cartridge may be defective

Replace the toner cartridge.

Print is too dark



Check the darkness, brightness, and contrast settings

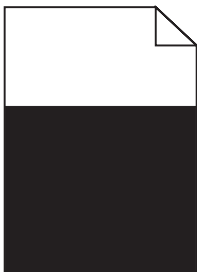
The Toner Darkness setting is too dark, the RGB Brightness setting is too dark, or the RGB Contrast setting is too high.

- From Print Properties, change these settings.
 - Note:** This solution applies to Windows users only.
- From the Quality menu, change these settings.

Is the toner cartridge defective?

Replace the toner cartridge.

Solid color pages



The printer may need to be serviced. For more information, contact Customer Support.

Toner fog or background shading appears on the page

A toner cartridge may be defective

Replace the toner cartridge.

Are the photoconductors worn or defective?

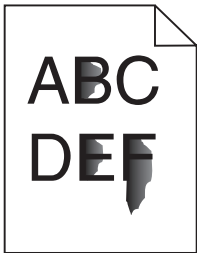
Replace the photoconductor(s).

Note: The printer has four photoconductors: cyan, magenta, yellow, and black. The cyan, magenta, and yellow photoconductors must all be replaced at the same time. The black photoconductor can be replaced separately.

Is there toner in the paper path?

Contact Customer Support.

Toner rubs off



These are possible solutions. Try one or more of the following:

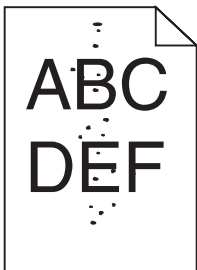
Check the Paper Type setting

Make sure the Paper Type setting matches the paper loaded in the tray.

Check the Paper Texture setting

Make sure the Paper Texture setting matches the paper loaded in the tray.

Toner specks



These are possible solutions. Try one or more of the following:

Is a toner cartridge defective?

Replace the toner cartridge.

Is there toner in the paper path?

Contact Customer Support.

Transparency print quality is poor

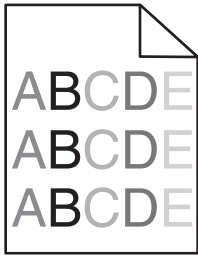
Check the transparencies

Use only transparencies recommended by the printer manufacturer.

Check the Paper Type setting

Load transparencies, and make sure the Paper Type setting is set to Transparency.

Uneven print density



Replace the photoconductor(s).

Note: The printer has four photoconductors: cyan, magenta, yellow, and black. The cyan, magenta, and yellow photoconductors must all be replaced at the same time. The black photoconductor can be replaced separately.

Solving color quality problems

This section helps answer some basic color-related questions and describes how some of the features provided in the Quality menu can be used to solve typical color problems.

FAQ about color printing

What is RGB color?

Red, green, and blue light can be added together in various amounts to produce a large range of colors observed in nature. For example, red and green can be combined to create yellow. Televisions and computer monitors create colors in this manner. RGB color is a method of describing colors by indicating the amount of red, green, or blue needed to produce a certain color.

What is CMYK color?

Cyan, magenta, yellow, and black inks or toners can be printed in various amounts to produce a large range of colors observed in nature. For example, cyan and yellow can be combined to create green. Printing presses, inkjet printers, and color laser printers create colors in this manner. CMYK color is a method of describing colors by indicating the amount of cyan, magenta, yellow, and black needed to reproduce a particular color.

How is color specified in a document to be printed?

Software programs typically specify document color using RGB or CMYK color combinations. Additionally, they allow users to modify the color of each object in a document. For more information, see the software program Help topics.

How does the printer know what color to print?

When a user prints a document, information describing the type and color of each object is sent to the printer. The color information is passed through color conversion tables that translate the color into the appropriate amounts of cyan, magenta, yellow, and black toner needed to produce the desired color. The object information determines the application of color conversion tables. For example, it is possible to apply one type of color conversion table to text while applying a different color conversion table to photographic images.

Should I use PostScript or PCL emulation printer software? What settings should I use for the best color?

The PostScript driver is strongly recommended for best color quality. The default settings in the PostScript driver provide the preferred color quality for the majority of printouts.

Why doesn't the printed color match the color I see on the computer screen?

The color conversion tables used in Auto Color Correction mode generally approximate the colors of a standard computer monitor. However, because of technology differences that exist between printers and monitors, there are many colors that can also be affected by monitor variations and lighting conditions. For recommendations on how the printer color sample pages may be useful in solving certain color-matching problems, see the question, "How can I match a particular color (such as a corporate logo)?"

The printed page appears tinted. Can I adjust the color?

Sometimes a printed page may appear tinted (for example, everything printed seems to be too red). This can be caused by environmental conditions, paper type, lighting conditions, or user preference. In these instances, adjust the Color Balance setting to create a more preferable color. Color Balance provides the user with the ability to make subtle adjustments to the amount of toner being used in each color plane. Selecting positive or negative values for cyan, magenta, yellow, and black (from the Color Balance menu) will slightly increase or decrease the amount of toner used for the chosen color. For example, if a printed page has a red tint, then decreasing both magenta and yellow could potentially improve the color balance.

My color transparencies seem dark when they are projected. Is there anything I can do to improve the color?

This problem most commonly occurs when projecting transparencies with reflective overhead projectors. To obtain the highest projected color quality, transmissive overhead projectors are recommended. If a reflective projector must be used, then adjusting the Toner Darkness setting to 1, 2, or 3 will lighten the transparency. Make sure to print on the recommended type of color transparencies.

What is manual color correction?

When manual color correction is enabled, the printer employs user-selected color conversion tables to process objects. However, Color Correction must be set to Manual, or no user-defined color conversion will be implemented. Manual color correction settings are specific to the type of object being printed (text, graphics, or images), and how the color of the object is specified in the software program (RGB or CMYK combinations).

Notes:

- Manual color correction is not useful if the software program does not specify colors with RGB or CMYK combinations. It is also not effective in situations in which the software program or the computer operating system controls the adjustment of colors.
- The color conversion tables—applied to each object when Color Correction is set to Auto—generate preferred colors for the majority of documents.

To manually apply a different color conversion table:

- 1** From the Quality menu, select **Color Correction**, and then select **Manual**.
- 2** From the Quality menu, select **Manual Color**, and then select the appropriate color conversion table for the affected object type.

Manual Color menu

Object type	Color conversion tables
RGB Image RGB Text RGB Graphics	<ul style="list-style-type: none"> • Vivid—Produces brighter, more saturated colors and may be applied to all incoming color formats. • sRGB Display—Produces an output that approximates the colors displayed on a computer monitor. Black toner usage is optimized for printing photographs. • Display—True Black—Produces an output that approximates the colors displayed on a computer monitor. Uses only black toner to create all levels of neutral gray. • sRGB Vivid—Provides an increased color saturation for the sRGB Display color correction. Black usage is optimized for printing business graphics. • Off—No color correction is implemented.
CMYK Image CMYK Text CMYK Graphics	<ul style="list-style-type: none"> • US CMYK—Applies color correction to approximate the SWOP (Specifications for Web Offset Publishing) color output. • Euro CMYK—Applies color correction to approximated EuroScale color output. • Vivid CMYK—Increases the color saturation of the US CMYK color correction setting. • Off—No color correction is implemented.

How can I match a particular color (such as a corporate logo)?

From the printer Quality menu, nine types of Color Samples sets are available. These are also available from the Color Samples page of the Embedded Web Server. Selecting any sample set generates a multiple-page printout consisting of hundreds of colored boxes. Either a CMYK or RGB combination is located on each box, depending on the table selected. The observed color of each box is obtained by passing the CMYK or RGB combination labeled on the box through the selected color conversion table.

By examining Color Samples sets, a user can identify the box whose color is the closest to the desired color. The color combination labeled on the box can then be used for modifying the color of the object in a software program. For more information, see the software program Help topics. Manual color correction may be necessary to utilize the selected color conversion table for the particular object.

Selecting which Color Samples set to use for a particular color-matching problem depends on the Color Correction setting being used (Auto, Off, or Manual), the type of object being printed (text, graphics, or images), and how the color of the object is specified in the software program (RGB or CMYK combinations). When the printer Color Correction setting is set to Off, the color is based on the print job information; and no color conversion is implemented.

Note: The Color Samples pages are not useful if the software program does not specify colors with RGB or CMYK combinations. Additionally, certain situations exist in which the software program or the computer operating system adjusts the RGB or CMYK combinations specified in the program through color management. The resulting printed color may not be an exact match of the Color Samples pages.

What are detailed Color Samples and how do I access them?

Detailed Color Samples sets are available only through the Embedded Web Server of a network printer. A detailed Color Samples set contains a range of shades (displayed as colored boxes) that are similar to a user-defined RGB or CMYK value. The likeness of the colors in the set are dependent on the value entered in the RGB or CMYK Increment box.

To access a detailed Color Samples set from the Embedded Web Server:

- 1 Open a Web browser.
- 2 In the address bar, type the network printer IP address.
- 3 Click **Configuration**.
- 4 Click **Color Samples**.
- 5 Click **Detailed Options** to narrow the set to one color range.
- 6 When the Detailed Options page appears, select a color conversion table.
- 7 Enter the RGB or CMYK color number.
- 8 Enter an Increment value from 1–255.
Note: The closer the value is to 1, the narrower the color sample range will appear.
- 9 Click **Print** to print the detailed Color Samples set.

Contacting Customer Support

When you call Customer Support, describe the problem you are experiencing, the message on the display, and the troubleshooting steps you have already taken to find a solution.

You need to know your printer model type and serial number. For more information, see the label on the inside top front cover of the printer. The serial number is also listed on the menu settings page.

In the U.S. or Canada, call (1-800-539-6275). For other countries/regions, visit the Lexmark Web site at www.lexmark.com.

Notices

Product name:

Lexmark X940e, Lexmark X945e

Machine type:

7510

Model(s):

030, 230

Edition notice

April 2007

The following paragraph does not apply to any country where such provisions are inconsistent with local law: LEXMARK INTERNATIONAL, INC., PROVIDES THIS PUBLICATION "AS IS" WITHOUT WARRANTY OF ANY KIND, EITHER EXPRESS OR IMPLIED, INCLUDING, BUT NOT LIMITED TO, THE IMPLIED WARRANTIES OF MERCHANTABILITY OR FITNESS FOR A PARTICULAR PURPOSE. Some states do not allow disclaimer of express or implied warranties in certain transactions; therefore, this statement may not apply to you.

This publication could include technical inaccuracies or typographical errors. Changes are periodically made to the information herein; these changes will be incorporated in later editions. Improvements or changes in the products or the programs described may be made at any time.

References in this publication to products, programs, or services do not imply that the manufacturer intends to make these available in all countries in which it operates. Any reference to a product, program, or service is not intended to state or imply that only that product, program, or service may be used. Any functionally equivalent product, program, or service that does not infringe any existing intellectual property right may be used instead. Evaluation and verification of operation in conjunction with other products, programs, or services, except those expressly designated by the manufacturer, are the user's responsibility.

For Lexmark technical support, visit support.lexmark.com.

For information on supplies and downloads, visit www.lexmark.com.

If you don't have access to the Internet, you can contact Lexmark by mail:

Lexmark International, Inc.
Bldg 004-2/CSC
740 New Circle Road NW
Lexington, KY 40550

© 2007 Lexmark International, Inc.

All rights reserved.

UNITED STATES GOVERNMENT RIGHTS

This software and any accompanying documentation provided under this agreement are commercial computer software and documentation developed exclusively at private expense.

Trademarks

Lexmark and Lexmark with diamond design, MarkNet, and MarkVision are trademarks of Lexmark International, Inc., registered in the United States and/or other countries.

MarkTrack and PrintCryption are trademarks of Lexmark International, Inc.

PCL® is a registered trademark of the Hewlett-Packard Company. PCL is Hewlett-Packard Company's designation of a set of printer commands (language) and functions included in its printer products. This printer is intended to be compatible with the PCL language. This means the printer recognizes PCL commands used in various application programs, and that the printer emulates the functions corresponding to the commands.

All other trademarks are the property of their respective owners.

Conventions

Note: A *Note* identifies something that could help you.

Warning: A *Warning* identifies something that could damage your product hardware or software.



CAUTION: A *CAUTION* identifies something that could cause you harm.



CAUTION: This type of *CAUTION* indicates that you should *not touch* the marked area.



CAUTION: This type of *CAUTION* indicates a *hot surface*.



CAUTION: This type of *CAUTION* indicates a *shock hazard*.



CAUTION: This type of *CAUTION* indicates a *tipping hazard*.

Federal Communications Commission (FCC) compliance information statement

This product has been tested and found to comply with the limits for a Class A digital device, pursuant to Part 15 of the FCC Rules. Operation is subject to the following two conditions: (1) this device may not cause harmful interference, and (2) this device must accept any interference received, including interference that may cause undesired operation.

The FCC Class A limits are designed to provide reasonable protection against harmful interference when the equipment is operated in a commercial environment. This equipment generates, uses, and can radiate radio frequency energy and, if not installed and used in accordance with the instruction manual, may cause harmful interference to radio communications. Operation of this equipment in a residential area is likely to cause harmful interference, in which case the user will be required to correct the interference at his own expense.

The manufacturer is not responsible for any radio or television interference caused by using other than recommended cables or by unauthorized changes or modifications to this equipment. Unauthorized changes or modifications could void the user's authority to operate this equipment.

Note: To assure compliance with FCC regulations on electromagnetic interference for a Class A computing device, use a properly shielded and grounded cable such as Lexmark part number 1021231 for parallel attach or 1021294 for USB attach. Use of a substitute cable not properly shielded and grounded may result in a violation of FCC regulations.

Exposure to radio frequency radiation

The following notice is applicable if your printer has a wireless network card installed.

The radiated output power of this device is far below the FCC radio frequency exposure limits. A minimum separation of 20 cm (8 inches) must be maintained between the antenna and any persons for this device to satisfy the RF exposure requirements of the FCC.

Industry Canada notices

Industry Canada compliance statement

This Class A digital apparatus meets all requirements of the Canadian Interference-Causing Equipment Standard ICES-003.

Avis de conformité aux normes de l'industrie du Canada

Cet appareil numérique de classe A est conforme aux exigences de la norme canadienne relative aux équipements pouvant causer des interférences NMB-003.

Industry Canada radio interference statement

Industry Canada (Canada)

This device complies with Industry Canada specification RSS-210. Operation is subject to the following two conditions: (1) this device may not cause interference, and (2) this device must accept any interference, including interference that may cause undesired operation of the device.

This device has been designed to operate only with the antenna provided. Use of any other antenna is strictly prohibited per regulations of Industry Canada.

To prevent radio interference to the licensed service, this device is intended to be operated indoors and away from windows to provide maximum shielding. Equipment (or its transmit antenna) that is installed outdoors is subject to licensing.

The installer of this radio equipment must ensure that the antenna is located or pointed such that it does not emit RF fields in excess of Health Canada limits for the general population; consult Safety Code 6, obtainable from Health Canada's Web site www.hc-sc.gc.ca/rpb.

The term "IC:" before the certification/registration number only signifies that the Industry Canada technical specifications were met.

Industry Canada (Canada)

Cet appareil est conforme à la norme RSS-210 d'Industry Canada. Son fonctionnement est soumis aux deux conditions suivantes :

(1) cet appareil ne doit pas provoquer d'interférences et (2) il doit accepter toute interférence reçue, y compris celles risquant d'altérer son fonctionnement.

Cet appareil a été conçu pour fonctionner uniquement avec l'antenne fournie. L'utilisation de toute autre antenne est strictement interdite par la réglementation d'Industry Canada.

En application des réglementations d'Industry Canada, l'utilisation d'une antenne de gain supérieur est strictement interdite.

Pour empêcher toute interférence radio au service faisant l'objet d'une licence, cet appareil doit être utilisé à l'intérieur et loin des fenêtres afin de garantir une protection optimale.

Si le matériel (ou son antenne d'émission) est installé à l'extérieur, il doit faire l'objet d'une licence.

L'installateur de cet équipement radio doit veiller à ce que l'antenne soit implantée et dirigée de manière à n'émettre aucun champ HF dépassant les limites fixées pour l'ensemble de la population par Santé Canada. Reportez-vous au Code de sécurité 6 que vous pouvez consulter sur le site Web de Santé Canada www.hc-sc.gc.ca/rpb.

Le terme « IC » précédant le numéro de d'accréditation/inscription signifie simplement que le produit est conforme aux spécifications techniques d'Industry Canada.

Radio interference notice

This is a Class A product. In a domestic environment, this product may cause radio interference, in which case, the user may be required to take adequate measures.

European Community (EC) directives conformity

This product is in conformity with the protection requirements of EC Council directives 89/336/EEC, 2006/95/EC, and 1999/5/EC on the approximation and harmonization of the laws of the Member States relating to electromagnetic compatibility, safety of electrical equipment designed for use within certain voltage limits and on radio equipment and telecommunications terminal equipment.

Compliance is indicated by the CE marking.



A declaration of conformity with the requirements of the directives is available from the Director of Manufacturing and Technical Support, Lexmark International, S. A., Boigny, France.

This product satisfies the limits of EN 55022; safety requirements of EN 60950; radio spectrum requirements of ETSI EN 300 330-1 and ETSI EN 300 330-2; and the EMC requirements of EN 55024, ETSI EN 301 489-1 and ETSI EN 301 489-3.

Česky	Společnost Lexmark International, Inc. tímto prohlašuje, že výrobek tento výrobek je ve shodě se základními požadavky a dalšími příslušnými ustanoveními směrnice 1999/5/ES.
Dansk	Lexmark International, Inc. erklærer herved, at dette produkt overholder de væsentlige krav og øvrige relevante krav i direktiv 1999/5/EF.
Deutsch	Hiermit erklärt Lexmark International, Inc., dass sich das Gerät dieses Gerät in Übereinstimmung mit den grundlegenden Anforderungen und den übrigen einschlägigen Bestimmungen der Richtlinie 1999/5/EG befindet.
Ελληνική	ΜΕ ΤΗΝ ΠΑΡΟΥΣΑ Η LEXMARK INTERNATIONAL, INC. ΔΗΛΩΝΕΙ ΟΤΙ ΑΥΤΟ ΤΟ ΠΡΟΪΟΝ ΣΥΜΜΟΡΦΟΝΕΤΑΙ ΠΡΟΣ ΤΙΣ ΟΥΣΙΩΔΕΙΣ ΑΠΑΙΤΗΣΕΙΣ ΚΑΙ ΤΙΣ ΛΟΙΠΕΣ ΣΧΕΤΙΚΕΣ ΔΙΑΤΑΞΕΙΣ ΤΗΣ ΟΔΗΓΙΑΣ 1999/5/ΕΚ.

English	Hereby, Lexmark International, Inc., declares that this type of equipment is in compliance with the essential requirements and other relevant provisions of Directive 1999/5/EC.
Español	Por medio de la presente, Lexmark International, Inc. declara que este producto cumple con los requisitos esenciales y cualesquiera otras disposiciones aplicables o exigibles de la Directiva 1999/5/CE.
Eesti	Käesolevaga kinnitab Lexmark International, Inc., et seade see toode vastab direktiivi 1999/5/EÜ põhinõuetele ja nimetatud direktiivist tulenevatele muudele asjakohastele sätetele.
Suomi	Lexmark International, Inc. vakuuttaa täten, että tämä tuote on direktiivin 1999/5/EY oleellisten vaatimusten ja muiden sitä koskevien direktiivin ehtojen mukainen.
Français	Par la présente, Lexmark International, Inc. déclare que l'appareil ce produit est conforme aux exigences fondamentales et autres dispositions pertinentes de la directive 1999/5/CE.
Magyar	Alulírott, Lexmark International, Inc. nyilatkozom, hogy a termék megfelel a vonatkozó alapvető követelményeknek és az 1999/5/EC irányelv egyéb előírásainak.
Íslenska	Hér með lýsir Lexmark International, Inc. yfir því að þessi vara er í samræmi við grunnkröfur og aðrar kröfur, sem gerðar eru í tilskipun 1999/5/EC.
Italiano	Con la presente Lexmark International, Inc. dichiara che questo prodotto è conforme ai requisiti essenziali ed alle altre disposizioni pertinenti stabilite dalla direttiva 1999/5/CE.
Latviski	Ar šo Lexmark International, Inc. deklarē, ka šis izstrādājums atbilst Direktīvas 1999/5/EK būtiskajām prasībām un citiem ar to saistītajiem noteikumiem.
Lietuvių	Šiuo Lexmark International, Inc. deklaruoją, kad šis produktas atitinka esminius reikalavimus ir kitas 1999/5/EB direktyvos nuostatas.
Malti	Bil-preżenti, Lexmark International, Inc., jiddikjara li dan il-prodott huwa konformi mal-ħtiġijiet essenzjali u ma dispożizzjonijiet oħrajn relevanti li jinsabu fid-Direttiva 1999/5/KE.
Nederlands	Hierbij verklaart Lexmark International, Inc. dat het toestel dit product in overeenstemming is met de essentiële eisen en de andere relevante bepalingen van richtlijn 1999/5/EG.
Norsk	Lexmark International, Inc. erklærer herved at dette produktet er i samsvar med de grunnleggende krav og øvrige relevante krav i direktiv 1999/5/EF.
Polski	Niniejszym Lexmark International, Inc. oświadcza, że niniejszy produkt jest zgodny z zasadniczymi wymogami oraz pozostałymi stosownymi postanowieniami Dyrektywy 1999/5/EC.
Português	A Lexmark International Inc. declara que este produto está conforme com os requisitos essenciais e outras disposições da Diretiva 1999/5/CE.
Slovensky	Lexmark International, Inc. týmto vyhlasuje, že tento produkt spĺňa základné požiadavky a všetky príslušné ustanovenia smernice 1999/5/ES.
Slovensko	Lexmark International, Inc. izjavlja, da je ta izdelek v skladu z bistvenimi zahtevami in ostalimi relevantnimi določili direktive 1999/5/ES.
Svenska	Härmed intygar Lexmark International, Inc. att denna produkt står i överensstämmelse med de väsentliga egenskapskrav och övriga relevanta bestämmelser som framgår av direktiv 1999/5/EG.

India emissions notice

This device uses very low power low range RF communication that has been tested and found not to cause any interference whatsoever. The manufacturer is not responsible in case of any disputes arising out of requirement of permissions from any local authority, regulatory bodies or any organization, required by the end-user to install and operate this product at his premises.

भारतीय उत्सर्जन सूचना

यह यंत्र बहुत ही कम शक्ति, कम रेंज के RF कम्युनिकेशन का प्रयोग करता है जिसका परीक्षण किया जा चुका है, और यह पाया गया है कि यह किसी भी प्रकार का व्यवधान उत्पन्न नहीं करता। इसके अंतिम प्रयोक्ता द्वारा इस उत्पाद को अपने प्रांगण में स्थापित एवं संचालित करने हेतु किसी स्थानीय प्राधिकरण, नियामक निकायों या किसी संगठन से अनुज्ञा प्राप्त करने की जरूरत के संबंध में उठे विवाद की स्थिति में विनिर्माता जिम्मेदार नहीं है।

Noise emission levels

The following measurements were made in accordance with ISO 7779 and reported in conformance with ISO 9296.

Note: Some modes may not apply to your product.

1-meter average sound pressure, dBA	
Printing	52 dBA
Scanning	54 dBA
Copying	53 dBA
Ready	32 dBA

Values are subject to change. See www.lexmark.com for current values.

Temperature information

Ambient temperature	15.6C° – 32.2C°
Shipping and storage temperature	-40.0C° – 60.0C°

Waste from Electrical and Electronic Equipment (WEEE) directive



The WEEE logo signifies specific recycling programs and procedures for electronic products in countries of the European Union. We encourage the recycling of our products. If you have further questions about recycling options, visit the Lexmark Web site at www.lexmark.com for your local sales office phone number.

Product disposal

Do not dispose of the printer or supplies in the same manner as normal household waste. Consult your local authorities for disposal and recycling options.

Federal Communications Commission (FCC) compliance information statement

This equipment complies with Part 68 of the FCC rules and the requirements adopted by the Administrative Council for Terminal Attachments (ACTA). On the back of this equipment is a label that contains, among other information, a product identifier in the format US:AAAEQ##TXXXX. If requested, this number must be provided to your telephone company.

This equipment uses the RJ-11C Universal Service Order Code (USOC) jack.

A plug and jack used to connect this equipment to the premises' wiring and telephone network must comply with the applicable FCC Part 68 rules and requirements adopted by the ACTA. A compliant telephone cord and modular plug is provided with this product. It is designed to be connected to a compatible modular jack that is also compliant. See your setup documentation for more information.

The Ringer Equivalence Number (REN) is used to determine the number of devices that may be connected to a telephone line. Excessive RENs on a telephone line may result in the devices not ringing in response to an incoming call. In most but not all areas, the sum of RENs should not exceed five (5.0). To be certain of the number of devices that may be connected to a line, as determined by the total RENs, contact your local telephone company. For products approved after July 23, 2001, the REN for this product is part of the product identifier that has the format US:AAAEQ##TXXXX. The digits represented by ## are the REN without a decimal point (for example, 03 is a REN of 0.3). For earlier products, the REN is shown separately on the label.

If this equipment causes harm to the telephone network, the telephone company will notify you in advance that temporary discontinuance of service may be required. If advance notice is not practical, the telephone company will notify the customer as soon as possible. You will also be advised of your right to file a complaint with the FCC.

The telephone company may make changes in its facilities, equipment, operations or procedures that could affect the operation of this equipment. If this happens, the telephone company will provide advance notice in order for you to make necessary modifications to maintain uninterrupted service.

If you experience trouble with this equipment, for repair or warranty information, contact Lexmark International, Inc. at **www.lexmark.com** or your Lexmark representative. If the equipment is causing harm to the telephone network, the telephone company may request that you disconnect the equipment until the problem is resolved.

This equipment contains no user serviceable parts. For repair and warranty information, contact Lexmark International, Inc. See the previous paragraph for contact information.

Connection to party line service is subject to state tariffs. Contact the state public utility commission, public service commission, or corporation commission for information.

If your home has specially wired alarm equipment connected to the telephone line, ensure the installation of this equipment does not disable your alarm equipment. If you have questions about what will disable alarm equipment, consult your telephone company or a qualified installer.

Telephone companies report that electrical surges, typically lightning transients, are very destructive to customer terminal equipment connected to AC power sources. This has been identified as a major nationwide problem. It is recommended that the customer install an appropriate AC surge arrester in the AC outlet to which this device is connected. An appropriate AC surge arrester is defined as one that is suitably rated, and certified by UL (Underwriter's Laboratories), another NRTL (Nationally Recognized Testing Laboratory), or a recognized safety certification body in the country/region of use. This is to avoid damage to the equipment caused by local lightning strikes and other electrical surges.

The Telephone Consumer Protection Act of 1991 makes it unlawful for any person to use a computer or other electronic device, including fax machines, to send any message unless said message clearly contains in a margin at the top or bottom of each transmitted page or on the first page of the transmission, the date and time it is sent and an identification of the business or other entity, or other individual sending the message, and the telephone number of the sending machine or such business, other entity, or individual. (The telephone number provided may not be a 900 number or any other number for which charges exceed local or long-distance transmission charges.)

See your user documentation in order to program this information into your fax machine.

Notice to users of the Canadian telephone network

This product meets the applicable Industry Canada technical specifications. The Ringer Equivalence Number (REN) is an indication of the maximum number of terminals allowed to be connected to a telephone interface. The terminus of an interface may consist of any combination of devices, subject only to the requirement that the sum of the RENs of all the devices does not exceed five. The modem REN is located on the rear of the equipment on the product labeling.

Telephone companies report that electrical surges, typically lightning transients, are very destructive to customer terminal equipment connected to AC power sources. This has been identified as a major nationwide problem. It is recommended that the customer install an appropriate AC surge arrester in the AC outlet to which this device is connected. An appropriate AC surge arrester is defined as one that is suitably rated, and certified by UL (Underwriter's Laboratories), another NRTL (Nationally Recognized Testing Laboratory), or a recognized safety certification body in the country/region of use. This is to avoid damage to the equipment caused by local lightning strikes and other electrical surges.

This equipment uses CA11A telephone jacks.

Avis réservé aux utilisateurs du réseau téléphonique du Canada

Ce produit est conforme aux spécifications techniques d'Industrie Canada. Le numéro REN (ringer equivalence number : numéro d'équivalence de sonnerie) fournit une indication du nombre maximum de terminaux pouvant être connectés à l'interface téléphonique. En bout de ligne, le nombre d'appareils qui peuvent être connectés n'est pas directement limité, mais la somme des REN de ces appareils ne doit pas dépasser cinq. Le numéro REN du modem est indiqué sur l'étiquette produit située à l'arrière de l'équipement.

Les compagnies de téléphone constatent que les surtensions électriques, en particulier celles dues à la foudre, entraînent d'importants dégâts sur les terminaux privés connectés à des sources d'alimentation CA. Il s'agit-là d'un problème majeur d'échelle nationale. En conséquence, il vous est recommandé de brancher un parasurtenseur dans la prise de courant à laquelle l'équipement est connecté. Utilisez un parasurtenseur répondant à des caractéristiques nominales satisfaisantes et certifié par le laboratoire d'assureurs UL (Underwriter's Laboratories), un autre laboratoire agréé de type NRTL (Nationally Recognized Testing Laboratory) ou un organisme de certification agréé dans votre région ou pays. Ceci prévient tout endommagement de l'équipement causé par les orages et autres surtensions électriques.

Cet équipement utilise des prises de téléphone CA11A.

Notice to users of the New Zealand telephone network

The following are special conditions for the Facsimile User Instructions. The grant of a telepermit for any item of terminal equipment indicates only that Telecom has accepted that the item complies with minimum conditions for connection to its network. It indicates no endorsement of the product by Telecom, nor does it provide any sort of warranty. Above all, it provides no assurance that any item will work correctly in all respects with another item of telepermitted equipment of a different make or model, nor does it imply that any product is compatible with all of Telecom's network services.

This equipment shall not be set up to make automatic calls to the Telecom's 111 Emergency Service.

This equipment may not provide for the effective hand-over of a call to another device connected to the same line.

This equipment should not be used under any circumstances that may constitute a nuisance to other Telecom customers.

Some parameters required for compliance with Telecom's telepermit requirements are dependent on the equipment associated with this device. The associated equipment shall be set to operate within the following limits for compliance to Telecom's specifications:

- There shall be no more than 10 call attempts to the same number within any 30 minute period for any single manual call initiation, and
- The equipment shall go on-hook for a period of not less than 30 seconds between the end of one attempt and the beginning of the next call attempt.
- The equipment shall be set to ensure that automatic calls to different numbers are spaced such that there is not less than 5 seconds between the end of one call attempt and the beginning of another.

South Africa telecommunications notice

This modem must be used in conjunction with an approved surge protection device when connected to the PSTN.

Using this product in Switzerland

This product requires a Swiss billing tone filter (Lexmark part number 14B5109 or 80D1877) to be installed on any line which receives metering pulses in Switzerland. The Lexmark filter must be used, as metering pulses are present on all analog telephone lines in Switzerland.

Utilisation de ce produit en Suisse

Cet appareil nécessite l'utilisation d'un filtre de tonalité de facturation suisse (n° de référence Lexmark : 14B5109 ou 80D1877) devant être installé sur toute ligne recevant des impulsions de comptage en Suisse. Ce filtre doit être utilisé pour toute installation car ces impulsions existent sur toutes les lignes téléphoniques suisses.

Verwendung dieses Produkts in der Schweiz

Für dieses Produkt muss ein schweizerischer Billing Tone Filter zur Zählzeichenübertragung (Lexmark Teilenummer 14B5109 oder 80D1877) für jede Leitung installiert werden, über die in der Schweiz Zeitsteuertakte übertragen werden. Die Verwendung des Lexmark Filters ist obligatorisch, da in allen analogen Telefonleitungen in der Schweiz Zeitsteuertakte vorhanden sind.

Uso del prodotto in Svizzera

Questo prodotto richiede un filtro toni Billing svizzero, (codice Lexmark 14B5109 o 80D1877) da installare su tutte le linee che ricevono impulsi remoti in Svizzera. È necessario utilizzare il filtro Lexmark poiché gli impulsi remoti sono presenti su tutte le linee analogiche in Svizzera.

ENERGY STAR



Laser notice

The printer is certified in the U.S. to conform to the requirements of DHHS 21 CFR Subchapter J for Class I (1) laser products, and elsewhere is certified as a Class I laser product conforming to the requirements of IEC 60825-1.

Class I laser products are not considered to be hazardous. The printer contains internally a Class IIIb (3b) laser that is nominally a 5 milliwatt gallium arsenide laser operating in the wavelength of 770-795 nanometers. The laser system and printer are designed so there is never any human access to laser radiation above a Class I level during normal operation, user maintenance, or prescribed service condition.

Laser advisory label

A laser notice label may be affixed to this printer as shown:



Power consumption

Product power consumption

The following table documents the power consumption characteristics of the product.

Note: Some modes may not apply to your product.

Mode	Description	Power consumption (Watts)
Printing	The product is generating hard-copy output from electronic inputs.	850 W
Copying	The product is generating hard-copy output from hard-copy original documents.	850 W
Scanning	The product is scanning hard-copy documents.	240 W
Ready	The product is waiting for a print job.	220 W
Power Saver	The product is in energy-saving mode.	45 W
High Off	The product is plugged into a wall outlet, but the power switch is turned off.	NA
Low Off (<1 W Off)	The product is plugged into a wall outlet, the power switch is turned off, and the product is in the lowest possible power consumption mode.	NA
Off	The product is plugged into a wall outlet, but the power switch is turned off.	110V = 0.15W, 220V = 1.25W

The power consumption levels listed in the previous table represent time-averaged measurements. Instantaneous power draws may be substantially higher than the average.

Values are subject to change. See www.lexmark.com for current values.

Power Saver

This product is designed with an energy-saving mode called Power Saver. The Power Saver Mode is equivalent to the EPA Sleep Mode. The Power Saver Mode saves energy by lowering power consumption during extended periods of inactivity. The Power Saver Mode is automatically engaged after this product is not used for a specified period of time, called the Power Saver Timeout.

Factory default Power Saver Timeout for this product (in minutes):	110V = 45 minutes, 220V = 60 minutes
--	--------------------------------------

By using the configuration menus, the Power Saver Timeout can be modified between 1 minute and 240 minutes. Setting the Power Saver Timeout to a low value reduces energy consumption, but may increase the response time of the product. Setting the Power Saver Timeout to a high value maintains a fast response, but uses more energy.

Off mode

If this product has an off mode which still consumes a small amount of power, then to completely stop product power consumption, disconnect the power supply cord from the wall outlet.

Total energy usage

It is sometimes helpful to calculate the total product energy usage. Since power consumption claims are provided in power units of Watts, the power consumption should be multiplied by the time the product spends in each mode in order to calculate energy usage. The total product energy usage is the sum of each mode's energy usage.

Statement of Limited Warranty

Lexmark X940e, Lexmark X945e

Lexmark International, Inc., Lexington, KY

This limited warranty applies to the United States and Canada. For customers outside the U.S., refer to the country-specific warranty information that came with your product.

This limited warranty applies to this product only if it was originally purchased for your use, and not for resale, from Lexmark or a Lexmark Remarketer, referred to in this statement as "Remarketer."

Limited warranty

Lexmark warrants that this product:

- Is manufactured from new parts, or new and serviceable used parts, which perform like new parts
- Is, during normal use, free from defects in material and workmanship

If this product does not function as warranted during the warranty period, contact a Remarketer or Lexmark for repair or replacement (at Lexmark's option).

If this product is a feature or option, this statement applies only when that feature or option is used with the product for which it was intended. To obtain warranty service, you may be required to present the feature or option with the product.

If you transfer this product to another user, warranty service under the terms of this statement is available to that user for the remainder of the warranty period. You should transfer proof of original purchase and this statement to that user.

Limited warranty service

The warranty period starts on the date of original purchase as shown on the purchase receipt and ends 12 months later provided that the warranty period for any supplies and for any maintenance items included with the printer shall end earlier if it, or its original contents, are substantially used up, depleted, or consumed.

To obtain warranty service you may be required to present proof of original purchase. You may be required to deliver your product to the Remarketer or Lexmark, or ship it prepaid and suitably packaged to a Lexmark designated location. You are responsible for loss of, or damage to, a product in transit to the Remarketer or the Lexmark designated location.

When warranty service involves the exchange of a product or part, the item replaced becomes the property of the Remarketer or Lexmark. The replacement may be a new or repaired item.

The replacement item assumes the remaining warranty period of the original product.

Replacement is not available to you if the product you present for exchange is defaced, altered, in need of a repair not included in warranty service, damaged beyond repair, or if the product is not free of all legal obligations, restrictions, liens, and encumbrances.

Before you present this product for warranty service, remove all print cartridges, programs, data, and removable storage media (unless directed otherwise by Lexmark).

For further explanation of your warranty alternatives and the nearest Lexmark authorized servicer in your area contact Lexmark on the World Wide Web at www.lexmark.com/support.

Remote technical support is provided for this product throughout its warranty period. For products no longer covered by a Lexmark warranty, technical support may not be available or only be available for a fee.

Extent of limited warranty

Lexmark does not warrant uninterrupted or error-free operation of any product or the durability or longevity of prints produced by any product.

Warranty service does not include repair of failures caused by:

- Modification or unauthorized attachments
- Accidents, misuse, abuse or use inconsistent with Lexmark user's guides, manuals, instructions or guidance
- Unsuitable physical or operating environment

- Maintenance by anyone other than Lexmark or a Lexmark authorized servicer
- Operation of a product beyond the limit of its duty cycle
- Use of printing media outside of Lexmark specifications
- Refurbishment, repair, refilling or remanufacture by a third party of products, supplies or parts
- Products, supplies, parts, materials (such as toners and inks), software, or interfaces not furnished by Lexmark

TO THE EXTENT PERMITTED BY APPLICABLE LAW, NEITHER LEXMARK NOR ITS THIRD PARTY SUPPLIERS OR REMARKETERS MAKE ANY OTHER WARRANTY OR CONDITION OF ANY KIND, WHETHER EXPRESS OR IMPLIED, WITH RESPECT TO THIS PRODUCT, AND SPECIFICALLY DISCLAIM THE IMPLIED WARRANTIES OR CONDITIONS OF MERCHANTABILITY, FITNESS FOR A PARTICULAR PURPOSE, AND SATISFACTORY QUALITY. ANY WARRANTIES THAT MAY NOT BE DISCLAIMED UNDER APPLICABLE LAW ARE LIMITED IN DURATION TO THE WARRANTY PERIOD. NO WARRANTIES, EXPRESS OR IMPLIED, WILL APPLY AFTER THIS PERIOD. ALL INFORMATION, SPECIFICATIONS, PRICES, AND SERVICES ARE SUBJECT TO CHANGE AT ANY TIME WITHOUT NOTICE.

Limitation of liability

Your sole remedy under this limited warranty is set forth in this document. For any claim concerning performance or nonperformance of Lexmark or a Remarketer for this product under this limited warranty, you may recover actual damages up to the limit set forth in the following paragraph.

Lexmark's liability for actual damages from any cause whatsoever will be limited to the amount you paid for the product that caused the damages. This limitation of liability will not apply to claims by you for bodily injury or damage to real property or tangible personal property for which Lexmark is legally liable. **IN NO EVENT WILL LEXMARK BE LIABLE FOR ANY LOST PROFITS, LOST SAVINGS, INCIDENTAL DAMAGE, OR OTHER ECONOMIC OR CONSEQUENTIAL DAMAGES.** This is true even if you advise Lexmark or a Remarketer of the possibility of such damages. Lexmark is not liable for any claim by you based on a third party claim.

This limitation of remedies also applies to claims against any Suppliers and Remarketers of Lexmark. Lexmark's and its Suppliers' and Remarketers' limitations of remedies are not cumulative. Such Suppliers and Remarketers are intended beneficiaries of this limitation.

Additional rights

Some states do not allow limitations on how long an implied warranty lasts, or do not allow the exclusion or limitation of incidental or consequential damages, so the limitations or exclusions contained above may not apply to you.

This limited warranty gives you specific legal rights. You may also have other rights that vary from state to state.

Index

Numerics

1133-sheet tray
loading 37
1565 Emul Error Load Emul
Option 197
200–289.yy paper jam 202
289 Staple error <x> 202
290-295.yy scanner jam 202
31 Missing or defective <color>
cartridge 197
32 Replace unsupported <color>
cartridge 197
34 Incorrect paper size 197
34 Short paper 198
35 Insufficient memory to support
Resource Save feature 198
37 Insufficient memory for Flash
Memory Defragment operation 198
37 Insufficient memory to collate
job 198
37 Insufficient memory, some held jobs
will not be restored 198
38 Memory full 198
39 Page is too complex to print 198
40 <color> invalid refill, change
cartridge 198
50 PPDS font error 199
51 Defective flash detected 199
52 Flash full 199
520-sheet tray (standard or optional)
loading 34
53 Unformatted flash detected 199
54 Network <x> software error 199
54 Serial option <x> error 199
54 Standard network software
error 199
55 Unsupported option in slot 199
56 Parallel port <x> disabled 200
56 Serial port <x> disabled 200
56 Standard USB port disabled 200
56 USB port <x> disabled 200
57 Configuration change, held jobs
were not restored 200
58 Too many disks installed 200
58 Too many flash options
installed 200
58 Too many trays attached 200
61 Remove defective hard disk 201
62 Disk full 201
63 Unformatted disk 201
80 Scheduled maintenance<x> 201
802.1x authentication 228
82 Replace waste toner box 201
82 Waste toner box missing 201
82 Waste toner box nearly full 201
84 <color> pc unit missing 201

84 Black pc unit life warning 201
84 color pc unit life warning 201
84 Replace black pc unit 202
84 Replace color pc units 202
84 Unsupported <color> pc unit 202
867-sheet tray
loading 37
88 <color> toner low 202
88 Replace <color> toner 202
900–999 Service <message> 202

Symbols

“scan to computer” screen
options 96, 97

A

Active NIC menu 184
address book, e-mail
setting up 67
address book, fax
using 86
ADF
copying using 55
Answering 190
AppleTalk menu 188
attaching cables 32

B

Bin <x> Full 190
Bin Setup menu 133
black and white
printing 105
brightness, adjusting 225
Busy 190
buttons, control panel 19
buttons, home screen 20
buttons, touch screen 22

C

cables
Ethernet 32
scanner 32
USB 32
Calibrating 190
Call complete 190
calling Customer Support 255
Cancel not available 190
Canceling 190
canceling a job
from Mac OS 9 104
from Mac OSX 104
from the control panel 104
from Windows desktop 104
from Windows taskbar 104
card stock
guidelines 48
loading 38

Change <src> to <x> 190
Check <src> guides 190
checking an unresponsive printer 231
checking an unresponsive
scanner 237
cleaning
exterior of the printer 219
printhead lenses 205, 210
scanner glass 220
Clearing job accounting statistics 190
Close cover<x> 190
Close door <x> 191
collating copies 60
color documents
e-mailing 69
confidential jobs
modifying print settings 227
Confidential print jobs 99
printing from Macintosh
computer 100
printing from Windows 100
configurations
printer 17
Configure MP menu 128
Connect <x>bps 191
connecting fax
using RJ11 adapter 75
connecting the printer to
answering machine 80
computer modem 81
telephone 79
telephone wall jack in Germany 78
conserving supplies 204
contacting Customer Support 255
contrast, adjusting 225
control panel 19
disabling hard disk encryption 226
disabling menus 225
enabling menus 225
encrypting hard disk 226
factory defaults, restoring 226
locking menus 225, 227
unlocking menus 225
Copies 191
copy quality
adjusting 59
improving 66
copy screen
color 64
options 63, 64
photo 64
Copy Settings menu 141
copy troubleshooting
copier does not respond 235
partial document or photo
copies 236
poor copy quality 235

- poor scanned image quality 237
- scanner unit does not close 235
- copying
 - adding a date and time stamp 62
 - adding an overlay message 63
 - adjusting quality 59
 - canceling a copy job 63
 - collating copies 60
 - custom job (job build) 61
 - document containing mixed paper sizes 58
 - enlarging 59
 - from one size to another 57
 - improving copy quality 66
 - making transparencies 56
 - multiple pages on one sheet 60
 - on both sides of the paper (duplexing) 58
 - photos 56
 - placing separator sheets between copies 60
 - quick copy 55
 - reducing 59
 - selecting a tray 57
 - to letterhead 56
 - using the ADF 55
 - using the scanner glass (flatbed) 56
- Custom Bin Names menu 132
- Custom Names menu 131
- custom paper type
 - assigning 42
- Custom Type <x>
 - changing name 42
- Custom Types menu 131

D

- date and time
 - setting 83
- Default Source menu 126
- Defragmenting Flash 191
- Delete 191
- Delete all 191
- Delete all confidential jobs 191
- Deleting 191
- Dialing 191
- directory list, printing 103
- disabling
 - control panel menus 225
- Disk Corrupted. Reformat? 191
- Disk recovery x/y XX% 191
- display troubleshooting
 - display is blank 232
 - display shows only diamonds 232
- display, control panel 19
 - adjusting brightness and contrast 225
- documents, printing
 - from Macintosh 99
 - from Windows 99
- duplexing 58

E

- Embedded Web Server
 - administrative password 229
 - locking control panel menus 227
 - locking entire printer 227
 - modifying confidential print settings 227
 - supporting IPSec 228
 - supporting SNMPv3 228
 - using 802.1x authentication 228
 - using Secure mode 229
- emission notices 257, 258, 259
- Empty hole punch box 191
- enabling
 - control panel menus 225
- Encrypting disk x/y XX% 191
- enlarging a copy 59
- Enter PIN 192
- Enter PIN to lock 192
- envelopes
 - guidelines 47
 - loading 38
- Error reading USB drive 192
- Ethernet port 32
- exterior of the printer
 - cleaning 219
- e-mail
 - canceling 71
- e-mail function
 - setting up 67
- e-mail screen
 - advanced options 72
 - options 71, 72
- E-mail Server Setup menu 154, 183
- E-mail Settings menu 151
- e-mailing
 - adding message line 70
 - adding subject line 70
 - changing output file type 71
 - color documents 69
 - creating a profile 70
 - creating shortcuts using the Embedded Web Server 68
 - creating shortcuts using the touch screen 68
 - setting up address book 67
 - setting up e-mail function 67
 - to a profile 70
 - using shortcut numbers 69
 - using the address book 69
 - using the keypad 68

F

- factory defaults, restoring
 - control panel menus 226
- FAQ about color printing 252
- Fax failed 192
- Fax Mode (Analog Fax Setup) menu 143
- Fax Mode (Fax Server) menu 150
- fax quality, improving 89

- fax screen
 - advanced options 89
 - options 88
- fax troubleshooting
 - blocking junk faxes 241
 - caller ID is not shown 238
 - can receive but not send faxes 240
 - can send but not receive faxes 240
 - cannot send or receive a fax 238
 - received fax has poor print quality 240
- faxing
 - canceling a fax job 87, 88
 - changing resolution 86
 - choosing a fax connection 74
 - creating shortcuts using the Embedded Web Server 84
 - creating shortcuts using the touch screen 85
 - forwarding faxes 90
 - holding faxes 89
 - improving fax quality 89
 - making a fax lighter or darker 86
 - sending a fax at a scheduled time 87
 - sending using the computer 84
 - sending using the control panel 84
 - setting the date and time 83
 - setting the outgoing fax name and number 83
 - turning daylight saving time on or off 83
 - using shortcuts 85
 - using the address book 86
 - viewing a fax log 87
- FCC notices 257, 260
- finisher
 - finishing features 51
 - supported paper sizes 51
 - troubleshooting 242
- Finishing menu 161
- firmware card
 - installing 29
- flash memory card
 - installing 29
 - troubleshooting 242
- Flushing buffer 192
- Formatting Disk x/y XX% 192
- Formatting Flash 192
- forwarding faxes 90
- FTP
 - address book 92
- FTP quality, improving 94
- FTP screen
 - advanced options 94
 - options 93
- FTP Settings menu 155

G

- guidelines
 - card stock 48
 - envelopes 47

- labels 47
- letterhead 45
- transparencies 46

H

- hard disk
 - disabling encryption 226
 - enabling encryption 226
- hard disk with adapter
 - troubleshooting 242
- held jobs 99
 - printing from Macintosh computer 100
 - printing from Windows 100
- Held jobs were not restored 196
- Help menu 188
- holding faxes 89
- home screen
 - buttons 20
- HTML menu 173

I

- Image menu 174
- Incorrect orientation 192
- Insert hole punch box 192
- Insert Tray <x> 192
- installing printer software 99
- internal print server
 - installing 30
 - troubleshooting 243
- Internal System Error, Reload Bookmarks 192
- Internal System Error, Reload Security Certificates 192
- Invalid Engine Code 192
- Invalid file format 193
- Invalid Network Code 193
- Invalid PIN 193
- IPSec 228
- IPv6 menu 182

J

- jams
 - avoiding 106
 - locating doors and trays 106
 - locations 106
 - numbers 106
- jams, clearing
 - 200–203 108
 - 230–231 108
 - 241 111
 - 242–244 112
 - 250 114
 - 280–282 115
 - 283 116
 - 284 116
 - 284–286 118
 - 287 116
 - 288 116
 - 289 119
 - 290–295 122

- stapler 119
- job interrupt 62
- Job stored for delayed transmission 193

L

- labels
 - guidelines 47
- letterhead
 - copying to 56
 - guidelines 45
- LexLink menu 188
- light, indicator 19
- Line busy 193
- linking trays 41
- Load <src> with <x> 193
- Load manual feeder with <x> 193
- Load staples 193
- loading
 - 1133-sheet tray 37
 - 520-sheet tray (standard or optional) 34
 - 867-sheet tray 37
 - card stock 38
 - envelopes 38
 - multipurpose feeder 38
 - transparencies 38
- locking
 - control panel menus 225, 227
 - entire printer 227

M

- max speed and max yield
 - printing 105
- memory card
 - installing 28
 - troubleshooting 243
- menu settings page, printing 103, 203
- menus
 - Active NIC 184
 - AppleTalk 188
 - Bin Setup 133
 - Configure MP 128
 - Copy Settings 141
 - Custom Bin Names 132
 - Custom Names 131
 - Custom Types 131
 - Default Source 126
 - diagram of 124
 - E-mail Server Setup 154, 183
 - E-mail Settings 151
 - Fax Mode (Analog Fax Setup) 143
 - Fax Mode (Fax Server) 150
 - Finishing 161
 - FTP Settings 155
 - Help 188
 - HTML 173
 - Image 174
 - IPv6 182
 - LexLink 188
 - NetWare 187

- Paper Loading 130
- Paper Size/Type 126
- Paper Texture 129
- PCL Emul 170
- PDF 172
- PostScript 169
- Quality 164
- Reports 134
- Scan to USB Settings 158
- Security 175
- Set Date and Time 179
- Settings 136
- Setup 167
- Standard Network 184
- Standard USB 186
- Substitute Size 129
- Supplies 125
- TCP/IP 180
- Utilities 166

- Menus are disabled 193
- moving the printer
 - disassembling printer from scanner shelf 221
 - guidelines before moving 220
 - guidelines to avoid personal injury 220
 - guidelines to avoid printer damage 220
 - precautions 221
 - setting the printer up in a new location 223
 - shipping to another location 224
 - to another location within the office 221
 - using a cart 221
- multiple pages on one sheet 60
- multipurpose feeder
 - loading 38

N

- NetWare menu 187
- Network 193
- Network <x> 193
- network setup page 103
- No answer 194
- No dial tone 194
- No held jobs 194
- No jobs to cancel 194
- No recognized file types 194
- noise emission levels 259
- notices 256, 257, 258, 259, 260, 261, 262, 263, 264

O

- options
 - firmware card 29
 - firmware cards 27
 - flash memory card 29
 - internal 27
 - internal print server 30
 - memory card 28

- memory cards 27
- port interface card 30
- options, touch-screen
 - copy 63, 64
 - e-mail 71, 72
 - fax 88, 89
 - FTP 93, 94
 - scan to computer 96, 97
- ordering
 - photoconductors 204
 - staple cartridges 204
 - toner cartridges 204
 - waste toner box 205
- output file type
 - changing 71

P

- paper
 - A5 36
 - characteristics 43
 - finishing features 51
 - letterhead 44
 - preprinted forms 44
 - recycled 44
 - selecting 44
 - setting size 34
 - setting type 34
 - statement 36
 - storing 48
 - unacceptable 44
 - Universal Paper Size 132
 - Universal size setting 41
- paper feed troubleshooting
 - message remains after jam is cleared 243
- paper jams
 - avoiding 106
- Paper Loading menu 130
- Paper Size/Type menu 126
- paper sizes
 - supported by the printer 49
- Paper Texture menu 129
- paper type
 - custom 42
- paper types
 - duplex support 50
 - supported by finisher 50
 - supported by printer 50
 - where to load 50
- PCL Emul menu 170
- PDF menu 172
- photoconductors
 - ordering 204
- photos
 - copying 56
- port interface card 30
- PostScript menu 169
- Power Saver 194
 - adjusting 225
- print job
 - canceling from Mac OS 9 104

- canceling from Mac OS X 104
- canceling from Windows
 - desktop 104
 - canceling from Windows taskbar 104
- print quality
 - cleaning the printhead lenses 210
 - cleaning the scanner glass 220
 - replacing photoconductor(s) 214
 - replacing the waste toner box 205
- print quality test pages, printing 103
- print quality troubleshooting
 - blank pages 245
 - characters have jagged edges 246
 - clipped images 246
 - dark lines 246
 - gray background 246
 - light colored line, white line, or incorrectly colored line 247
 - poor transparency quality 252
 - print irregularities 248
 - print is too dark 250
 - print is too light 249
 - print quality test pages 245
 - repeating defects 249
 - skewed print 249
 - solid color pages 250
 - toner fog or background shading 251
 - toner rubs off 251
 - toner specks 251
 - uneven print density 252
- printer troubleshooting
 - error reading USB drive 232
 - finisher 243
 - held jobs do not print 233
 - incorrect characters print 234
 - incorrect margins 247
 - jammed page does not reprint 244
 - job prints from wrong tray 234
 - job prints on wrong paper 234
 - job takes longer than expected 233
 - jobs do not print 232
 - Large jobs do not collate 234
 - multiple-language PDFs do not print 232
 - paper curl 248
 - paper frequently jams 243
 - tray linking does not work 234
 - unexpected page breaks occur 234
- printer
 - configurations 17
 - models 17
 - moving 220
- Printer locked, enter PIN 194
- printer messages
 - 1565 Emul Error Load Emul Option 197
 - 200–289.yy paper jam 202
 - 289 Staple error <x> 202
 - 290–295.yy scanner jam 202
 - 31 Missing or defective <color> cartridge 197

- 32 Replace unsupported <color> cartridge 197
- 34 Incorrect paper size 197
- 34 Short paper 198
- 35 Insufficient memory to support Resource Save feature 198
- 37 Insufficient memory for Flash Memory Defragment operation 198
- 37 Insufficient memory to collate job 198
- 37 Insufficient memory, some held jobs will not be restored 198
- 38 Memory full 198
- 39 Page is too complex to print 198
- 40 <color> invalid refill, change cartridge 198
- 50 PPDS font error 199
- 51 Defective flash detected 199
- 52 Flash full 199
- 53 Unformatted flash detected 199
- 54 Network <x> software error 199
- 54 Serial option <x> error 199
- 54 Standard network software error 199
- 55 Unsupported option in slot 199
- 56 Parallel port <x> disabled 200
- 56 Serial port <x> disabled 200
- 56 Standard USB port disabled 200
- 56 USB port <x> disabled 200
- 57 Configuration change, held jobs were not restored 200
- 58 Too many disks installed 200
- 58 Too many flash options installed 200
- 58 Too many trays attached 200
- 61 Remove defective hard disk 201
- 62 Disk full 201
- 63 Unformatted disk 201
- 80 Scheduled maintenance<x> 201
- 82 Replace waste toner box 201, 205
- 82 Waste toner box missing 201
- 82 Waste toner box nearly full 201
- 84 <color> pc unit missing 201
- 84 Black pc unit life warning 201
- 84 color pc unit life warning 201
- 84 Replace black pc unit 202, 214
- 84 Replace color pc units 202, 214
- 84 Unsupported <color> pc unit 202
- 88 <color> toner low 202
- 88 Replace <color> toner 202, 217
- 900–999 Service <message> 202
- Answering 190
- Bin <x> Full 190
- Busy 190
- Calibrating 190
- Call complete 190
- Cancel not available 190
- Canceling 190
- Change <src> to <x> 190
- Check <src> guides 190

- Clearing job accounting statistics 190
 - Close cover<x> 190
 - Close door <x> 191
 - Connect <x>bps 191
 - Copies 191
 - Defragmenting Flash 191
 - Delete 191
 - Delete all 191
 - Delete all confidential jobs 191
 - Deleting 191
 - Dialing 191
 - Disk Corrupted. Reformat? 191
 - Disk recovery x/y XX% 191
 - Empty hole punch box 191
 - Encrypting disk x/y XX% 191
 - Enter PIN 192
 - Enter PIN to lock 192
 - Error reading USB drive 192
 - Fax failed 192
 - Flushing buffer 192
 - Formatting Disk x/y XX% 192
 - Formatting Flash 192
 - Held jobs were not restored 196
 - Incorrect orientation 192
 - Insert hole punch box 192
 - Insert Tray <x> 192
 - Internal System Error, Reload Bookmarks 192
 - Internal System Error, Reload Security Certificates 192
 - Invalid Engine Code 192
 - Invalid file format 193
 - Invalid Network Code 193
 - Invalid PIN 193
 - Job stored for delayed transmission 193
 - Line busy 193
 - Load <src> with <x> 193
 - Load manual feeder with <x> 193
 - Load staples 193
 - Menus are disabled 193
 - Network 193
 - Network <x> 193
 - No answer 194
 - No dial tone 194
 - No held jobs 194
 - No jobs to cancel 194
 - No recognized file types 194
 - Power Saver 194
 - Printer locked, enter PIN 194
 - Printing 194
 - Programming disk 194
 - Programming flash 194
 - Programming System Code 194
 - Queued for sending 194
 - Reading USB drive 194
 - Ready 195
 - Receive complete 195
 - Receiving page <n> 195
 - Remote Management Active 195
 - Remove paper from all bins 195
 - Remove paper from bin<x> 195
 - Remove paper from standard bin 195
 - Replace all originals if restarting job. 195
 - Resetting the printer 195
 - Restore Held Jobs? 195
 - Restoring Factory Defaults 196
 - Restoring Held Jobs(s) x/y 196
 - Scan Document Too Long 196
 - Scanner ADF Cover Open 196
 - Sending page <n> 196
 - Serial <x> 196
 - Set clock 196
 - Some held jobs will not be restored 196
 - Standard Bin Full 196
 - Staples <x> empty or misfed 196
 - Staples <x> low or missing 196
 - Submitting Selection 197
 - System busy, preparing resources for job. 197
 - System busy, preparing resources for job. Deleting held job(s). 197
 - Tray <x> Empty 197
 - Tray <x> Low 197
 - Tray <x> Missing 197
 - USB/USB <x> 197
 - Waiting 197
 - Waiting for redial 197
 - printer options troubleshooting
 - drawers 242
 - finisher 242
 - flash memory card 242
 - hard disk with adapter 242
 - internal print server 243
 - memory card 243
 - option not working 241
 - USB/parallel interface card 243
 - printer, moving
 - disassembling printer from scanner shelf 221
 - setting the printer up in a new location 223
 - shipping to another location 224
 - to another location within the office 221
 - printhead lenses
 - cleaning 210
 - Printing 194
 - printing
 - A5 paper 36
 - black and white 105
 - directory list 103
 - from Macintosh 99
 - from USB flash memory device 101
 - from Windows 99
 - installing printer software 99
 - max speed and max yield 105
 - menu settings page 103, 203
 - network setup page 103
 - print quality test pages 103
 - statement paper 36
 - printing confidential and other held jobs
 - from Macintosh computer 100
 - from Windows 100
 - profile
 - creating an e-mail 70
 - emailing to 70
 - Programming disk 194
 - Programming flash 194
 - Programming System Code 194
- Q**
- Quality menu 164
 - Queued for sending 194
- R**
- Reading USB drive 194
 - Ready 195
 - Receive complete 195
 - Receiving page <n> 195
 - recycled paper
 - using 44
 - recycling
 - Lexmark products 220
 - WEEE statement 260
 - reducing a copy 59
 - Remote Management Active 195
 - Remove paper from all bins 195
 - Remove paper from bin<x> 195
 - Remove paper from standard bin 195
 - Repeat print jobs 99
 - printing from Macintosh computer 100
 - printing from Windows 100
 - Replace all originals if restarting job. 195
 - Reports menu 134
 - Reserve print jobs 99
 - printing from Macintosh computer 100
 - printing from Windows 100
 - Resetting the printer 195
 - resolution, fax
 - changing 86
 - Restore Held Jobs? 195
 - Restoring Factory Defaults 196
 - Restoring Held Jobs(s) x/y 196
 - RJ11 adapter, using 75
- S**
- safety
 - information 15, 15, 15, 15, 15, 15, 0, 0, 15, 15, 15, 15, 15, 15, 15, 15, 15, 16, 16, 16, 16, 16, 16
 - Scan Document Too Long 196
 - scan quality, improving 98
 - Scan to USB Settings menu 158
 - scan troubleshooting
 - cannot scan from a computer 238

- partial document or photo scans 238
- scan was not successful 237
- scanner unit does not close 235
- scanning takes too long or freezes the computer 237
- scanner
 - Automatic Document Feeder (ADF) 18
 - functions 17
 - scanner glass 18
- Scanner ADF Cover Open 196
- scanner connectors 32
- scanner glass
 - cleaning 220
- scanner glass (flatbed)
 - copying using 56
- scanning to a computer 95
 - improving scan quality 98
- scanning to a USB flash memory device 96
- scanning to an FTP address
 - creating shortcuts using the computer 92
 - creating shortcuts using the touch screen 93
 - improving FTP quality 94
 - using shortcut numbers 92
 - using the address book 92
 - using the keypad 91
- Secure mode 229
- security
 - Embedded Web Server 229
 - locking control panel menus 227
 - locking entire printer 227
 - modifying confidential print settings 227
 - supporting IPSec 228
 - supporting SNMPv3 228
 - using 802.1x authentication 228
- Security menu 175
- Sending page <n> 196
- Serial <x> 196
- Set clock 196
- Set Date and Time menu 179
- setting
 - paper size 34
 - paper type 34
 - TCP/IP address 180
 - Universal Paper Size 41
- Settings menu 136
- Setup menu 167
- shipping to another location
 - printer, scanner, and shelf 224
- shortcuts, creating
 - e-mail 68
 - fax destination 84, 85
 - FTP destination 92, 93
- SNMPv3 228
- Some held jobs will not be restored 196
- Standard Bin Full 196
- Standard Network menu 184
- standard tray
 - loading 34
- Standard USB menu 186
- staple cartridges
 - ordering 204
- Staples <x> empty or misfed 196
- Staples <x> low or missing 196
- status of supplies, checking 203
- storing
 - paper 48
 - supplies 203
- subject and message information
 - adding to e-mail 70
- Submitting Selection 197
- Substitute Size menu 129
- supplies
 - conserving 204
 - status of 203
 - storing 203
- Supplies menu 125
 - supplies, ordering
 - photoconductors 204
 - staple cartridges 204
 - toner cartridges 204
 - waste toner box 205
- system board
 - accessing 27
 - reinstalling 31
- System busy, preparing resources for job. 197
- System busy, preparing resources for job. Deleting held job(s). 197

T

- TCP/IP menu 180
- telecommunication
 - notices 260, 261, 262
- toner cartridges
 - ordering 204
 - replacing 217
- touch screen
 - buttons 22
- transparencies
 - guidelines 46
 - loading 38
 - making 56
- Tray <x> Empty 197
- Tray <x> Low 197
- Tray <x> Missing 197
- tray linking 42
- tray unlinking 42
- trays
 - linking 41, 42
 - unlinking 41, 42
- troubleshooting
 - checking an unresponsive printer 231
 - checking an unresponsive scanner 237
 - contacting Customer Support 255
 - Door A 231
 - FAQ about color printing 252
 - troubleshooting, copy
 - copier does not respond 235
 - partial document or photo copies 236
 - poor copy quality 235
 - poor scanned image quality 237
 - scanner unit does not close 235
 - troubleshooting, display
 - display is blank 232
 - display shows only diamonds 232
 - troubleshooting, fax
 - blocking junk faxes 241
 - caller ID is not shown 238
 - can receive but not send faxes 240
 - can send but not receive faxes 240
 - cannot send or receive a fax 238
 - received fax has poor print quality 240
 - troubleshooting, paper feed
 - message remains after jam is cleared 243
 - troubleshooting, print
 - error reading USB drive 232
 - finisher 243
 - held jobs do not print 233
 - incorrect characters print 234
 - incorrect margins 247
 - jammed page does not reprint 244
 - job prints from wrong tray 234
 - job prints on wrong paper 234
 - job takes longer than expected 233
 - jobs do not print 232
 - Large jobs do not collate 234
 - multiple-language PDFs do not print 232
 - paper curl 248
 - paper frequently jams 243
 - tray linking does not work 234
 - unexpected page breaks occur 234
 - troubleshooting, print quality
 - blank pages 245
 - characters have jagged edges 246
 - clipped images 246
 - dark lines 246
 - gray background 246
 - light colored line, white line, or incorrectly colored line 247
 - poor transparency quality 252
 - print irregularities 248
 - print is too dark 250
 - print is too light 249
 - print quality test pages 245
 - repeating defects 249
 - skewed print 249
 - solid color pages 250
 - toner fog or background shading 251
 - toner rubs off 251
 - toner specks 251
 - uneven print density 252

- troubleshooting, printer options
 - drawers 242
 - finisher 242
 - flash memory card 242
 - hard disk with adapter 242
 - internal print server 243
 - memory card 243
 - option not working 241
 - USB/parallel interface card 243
- troubleshooting, scan
 - cannot scan from a computer 238
 - partial document or photo scans 238
 - scan was not successful 237
 - scanner unit does not close 235
 - scanning takes too long or freezes the computer 237

U

- Universal Paper Size 132
 - setting 41
- Universal Setup menu 132
- unlinking trays 41
- unlocking
 - control panel menus 225
- USB flash memory device 101
- USB port 32
- USB/USB <x> 197
- using RJ11 adapter 75
- Utilities menu 166

V

- Verify print jobs 99
 - printing from Macintosh computer 100
 - printing from Windows 100

W

- Waiting 197
- Waiting for redial 197
- waste toner box
 - ordering 205
 - replacing 205
- weight precautions, moving the printer
 - printer weight 220
 - scanner weight 220